

PARTITION NOTES

- STUDS CONTINUE TO DECK UNDO. REF CAPTURE TRACK DETAILS.
- USE 1/2" GYPSUM BOARD ON NON-RATED PARTITIONS UNDO.
- USE 5/8" TYPE X GYPSUM BOARD ON FIRE RATED PARTITIONS.
- CONTINUE FINISH MATERIAL TO A MINIMUM OF 4" ABOVE SUSPENDED CEILING SYSTEMS UNDO.
- WHERE NO CEILING IS INDICATED, CONTINUE FINISH TO DECK UNDO. MAINTAIN CLEARANCE BELOW STRUCTURE PER CAPTURE TRACK DETAILS.
- STUD PARTITIONS REQUIRING A FIRE RATING OF ONE HOUR SHALL COMPLY WITH ULR419, ULR445 OR ULR442. MASONRY PARTITIONS REQUIRING ONE HOUR FIRE RATING SHALL COMPLY WITH ULR400S.
- STUD WALLS RECEIVING PLYWOOD SHALL BE 22 GAUGE OR HEAVIER.
- MAXIMUM HEIGHT OF NON LOAD BEARING WALL ABOVE HEAD TO BE 20'-0".
- REF SPECIFICATIONS FOR LATERAL BRACING OF STUD PARTITIONS.
- PROVIDE ALTERNATING DIAGONAL METAL STUD BRACING TO THE CEILING AT 48" OC FOR INTERIOR WALLS THAT DO NOT GO TO DECK AND FOR ALL WALLS LESS THAN 10' WIDE. REF 6-A.
- USE GYPSUM BOARD BEHIND ALL PARTITIONS UNDO.
- WHERE NO CEILING IS SCHEDULED, CONTINUE GYPSUM BOARD SUBSTRATE AT 10'-0" AFF UNDO.
- PROVIDE FIRE BLOCKING AT FLOOR AND ROOF LEVELS. CONCEALED SPACES BETWEEN STAIRWAY SENSING PENETRATIONS IN FLOORING FINISHING ASSEMBLIES AND OTHER LOCATIONS AS REQUIRED BY CODE.
- ROOMS THAT HAVE 5/8" (IMP.) RESISTANT GYPSUM BOARD TO 80" ABOVE 48" AFF PARTITION LOCATIONS SHALL HAVE PAINTED PORTION IS TO BE WATER RESISTANT GYPSUM BOARD IN LIFT UP GLASS MAT BACKER MATERIAL.
- CONCEALED SPACES BETWEEN STAIRWAY SENSING PENETRATIONS IN FLOORING FINISHING ASSEMBLIES AND OTHER LOCATIONS AS REQUIRED BY THE SPECIFICATIONS.
- PROVIDE FIRE BLOCKING AT ALL EXISTING PENETRATIONS IN EXISTING PARTITIONS TO ACHIEVE 1 HOUR RATING.

PARTITION LEGEND

DETAIL:

PLAN:

LETTER INDICATES PARTITION TYPE REF PLANS AND SHEET A6

NUMBER INDICATES STUD HEIGHT TO BOTTOM OF ROOF DECK TYP

NUMBER INDICATES STUD SIZE AS FOLLOWS:

OPPOSITE SIDE	1 - 1 5/8" METAL	8 - 6" CMU
	2 - 2 1/2" METAL	8 - 6" CMU
	3 - 3 5/8" METAL	12 - 12" CMU

REF SPECIFICATIONS FOR LATERAL BRACING OF STUD PARTITIONS UNDO.

- 1 HOUR RATED GYPSUM BOARD (NEW) ULR419, ULR442, OR ULR445
- 1 HOUR RATED CMU (NEW) ULR400S
- NON-RATED GYPSUM BOARD (NEW)
- ACoustICAL INSULATION FULL WALL THICKNESS (NEW)
- CHAIN LINK FENCE (NEW)
- COOLER/FREEZER WALL (NEW)
- EXISTING 1 HOUR RATED GYPSUM BOARD TO REMAIN
- EXISTING PARTITION OR WALL TO REMAIN
- CMU WALL (NEW)
- EXISTING WALL TO BE DEMOLISHED
- EXISTING CHAIN LINK FENCE
- EXISTING 48" HIGH PLYWOOD WAHNSCOT WITH 2x8 WOOD BASE
- CHAIR RAIL FURNISHED BY WALMART, INSTALLED BY G.C.
- NON-RATED GYPSUM BOARD WALL (NEW) (GROUPEY PREP AREAS) WITH SILL SEALER

Walmart
GORDONSVILLE, VA
884 CAMP CREEK PKWY., LOUISA, VA 23083
STORE NO.: 4852-223
JOB NUMBER: 143 SGR-COR
17-07-25 | PHOTO:

ISSUE BLOCK

1	REV 3	04/26/18
---	-------	----------

CHECKED BY: DF
DRAWN BY: TP
PROTO CYCLE: 02/26/18
DOCUMENT DATE: 04/10/18

PARTITION TYPES

REFERENCE SIDE OPPOSITE SIDE

WHERE NO CEILING IS INDICATED AND AT RATED WALLS, CONTINUE GYPSUM BOARD TO DECK UNDO.

METAL STUDS

USE 5/8" WATER RESISTANT GYPSUM BOARD AT WET AREAS

WHERE NO CEILING IS SCHEDULED, STOP 1/2" PLYWOOD SUBSTRATE AT 10'-0" AFF UNDO.

METAL STUDS

1/2" GYPSUM BOARD, BOTH SIDES

1/2" PLYWOOD, BOTH SIDES

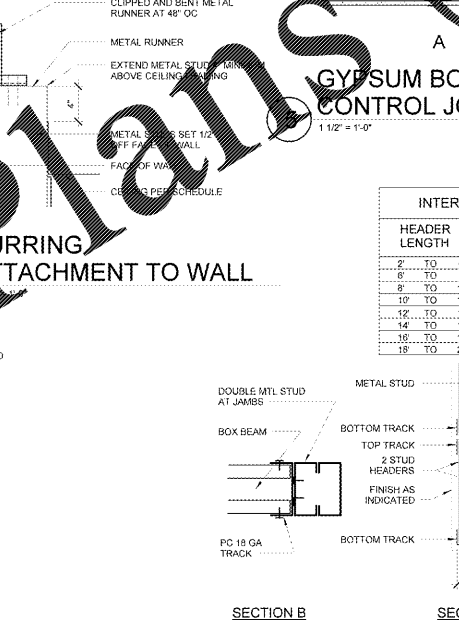
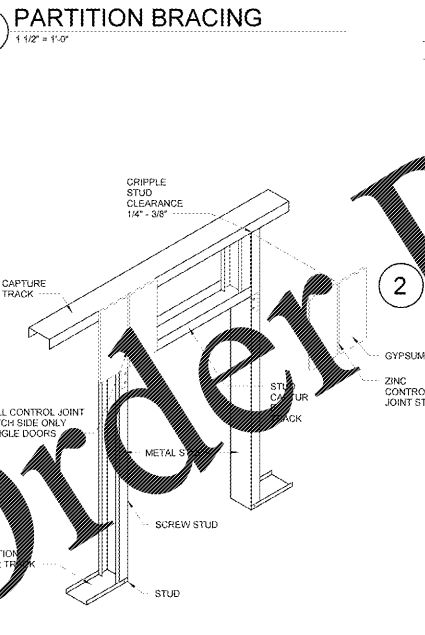
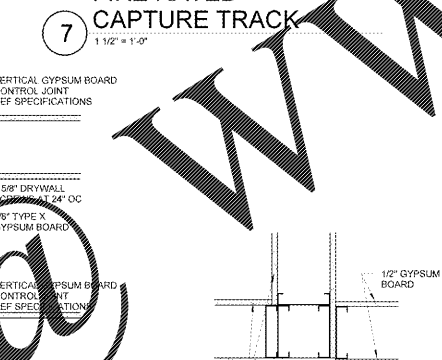
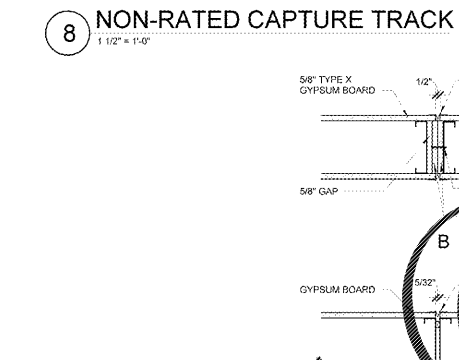
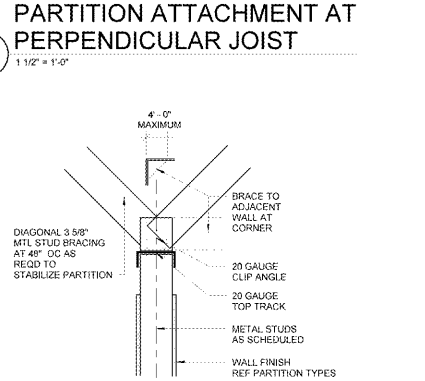
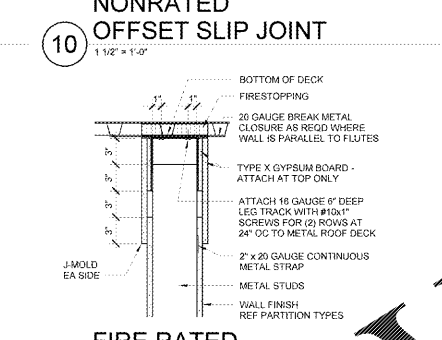
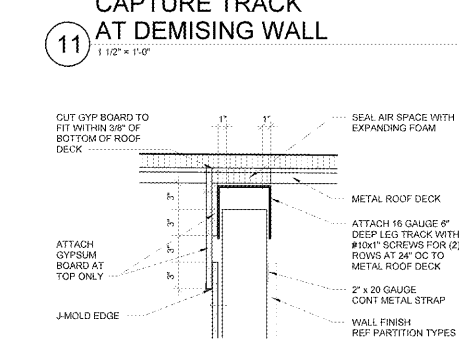
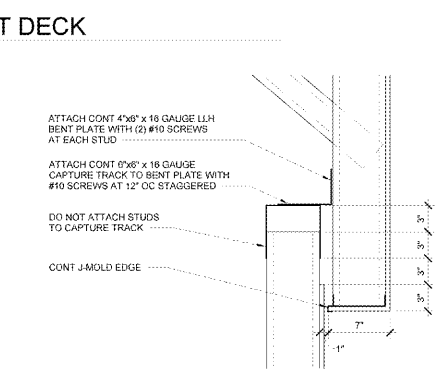
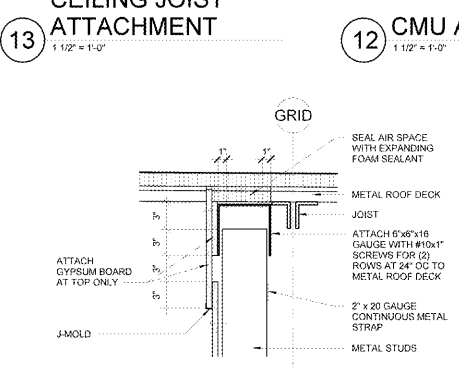
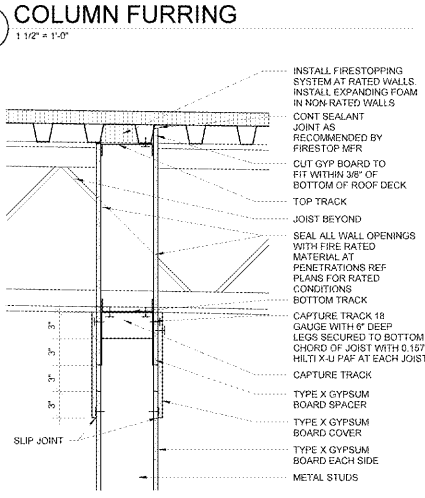
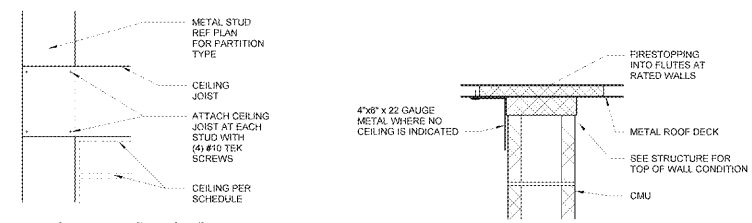
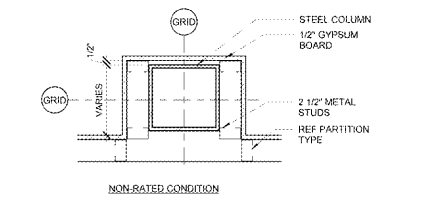
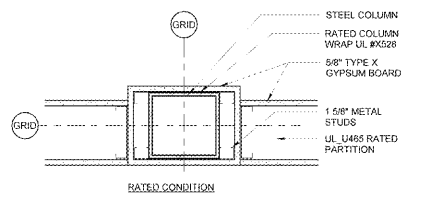
1/2" GLASS MAT BACKER MATERIAL

METAL STUDS AT 16" OC

WALL COVERING

PARTITION TYPES AND WALL DETAILS

SHEET: **A6**



INTERIOR NON-LOAD BEARING PARTITION HEADER SCHEDULE

HEADER LENGTH	HEADER MEMBERS	MINIMUM EFFECTIVE PROPERTIES PER STUD
2' TO 6'	(2) 8" x 18 GAUGE	S _x = 2.042 S _y = 0.870
6' TO 8'	(2) 6" x 18 GAUGE	S _x = 2.518 S _y = 0.899
8' TO 10'	(2) 8" x 14 GAUGE	S _x = 3.094 S _y = 1.081
10' TO 12'	(2) 8" x 19 GAUGE	S _x = 4.134 S _y = 1.093
12' TO 14'	(2) 8" x 16 GAUGE	S _x = 5.110 S _y = 1.277
14' TO 16'	(2) 6" x 14 GAUGE	S _x = 6.303 S _y = 1.578
16' TO 18'	(2) 10" x 14 GAUGE	S _x = 12.325 S _y = 2.456
18' TO 20'	(2) 12" x 16 GAUGE	S _x = 15.750 S _y = 2.384

Order Plans @

WWW.LDILIN.COM