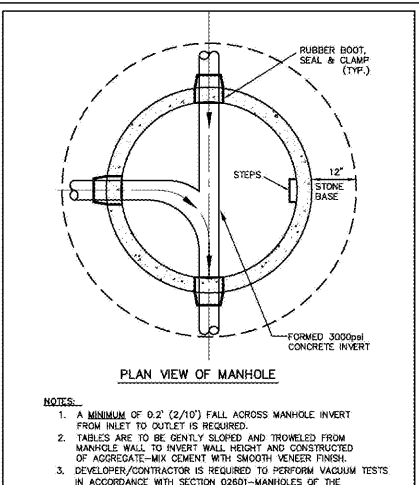
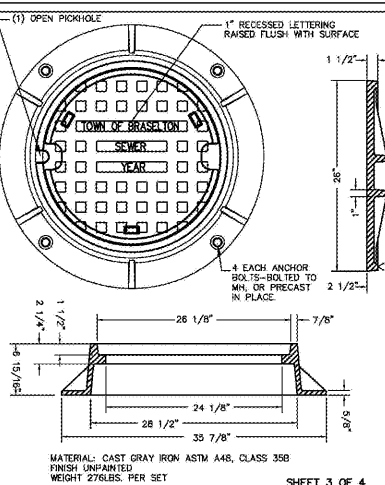


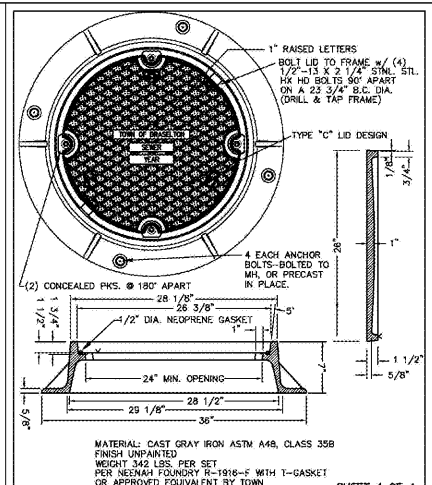
TOWN OF BRASELTON WATER & SEWER DEPARTMENTS				
JOB TITLE	SHEET TITLE	DRAWN BY	DATE	SCALE
STANDARD DETAIL	STANDARD MANHOLE	CSG	SEP 2004	SCALE: N.T.S.



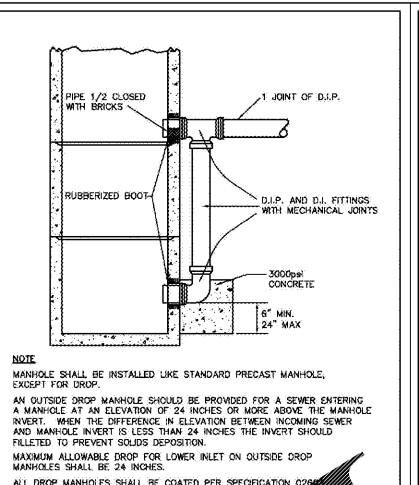
TOWN OF BRASELTON WATER & SEWER DEPARTMENTS				
JOB TITLE	SHEET TITLE	DRAWN BY	DATE	SCALE
STANDARD DETAIL	MANHOLE INVERT	CSG	SEP 2004	SCALE: N.T.S.



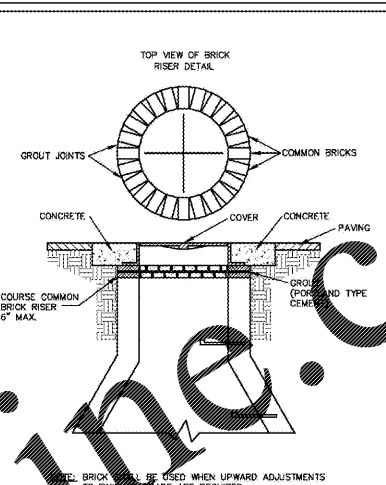
TOWN OF BRASELTON WATER & SEWER DEPARTMENTS				
JOB TITLE	SHEET TITLE	DRAWN BY	DATE	SCALE
STANDARD DETAIL	ON-ROAD MANHOLE COVER	CSG	SEP 2004	SCALE: N.T.S.



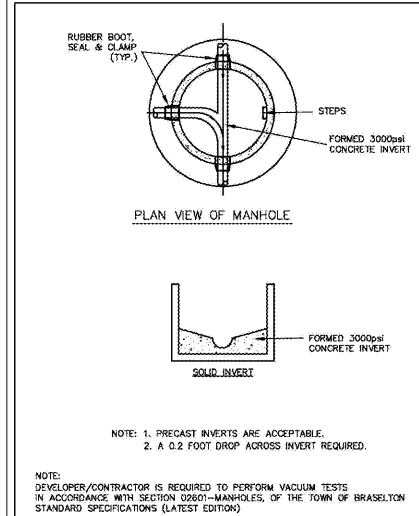
TOWN OF BRASELTON WATER & SEWER DEPARTMENTS				
JOB TITLE	SHEET TITLE	DRAWN BY	DATE	SCALE
STANDARD DETAIL	OFF-ROAD MANHOLE COVER	CSG	SEP 2004	SCALE: N.T.S.



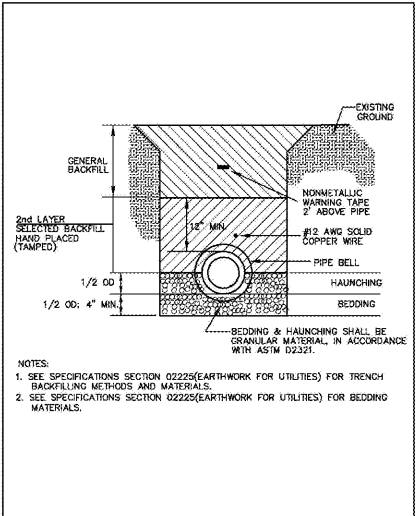
TOWN OF BRASELTON WATER & SEWER DEPARTMENTS				
JOB TITLE	SHEET TITLE	DRAWN BY	DATE	SCALE
STANDARD DETAIL	OUTSIDE DROP MANHOLE	CSG	SEP 2004	SCALE: N.T.S.



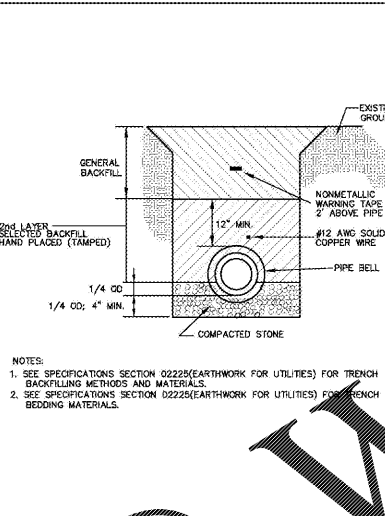
TOWN OF BRASELTON WATER & SEWER DEPARTMENTS				
JOB TITLE	SHEET TITLE	DRAWN BY	DATE	SCALE
STANDARD DETAIL	LID GROUTING DETAIL	CSG	SEP 2004	SCALE: N.T.S.



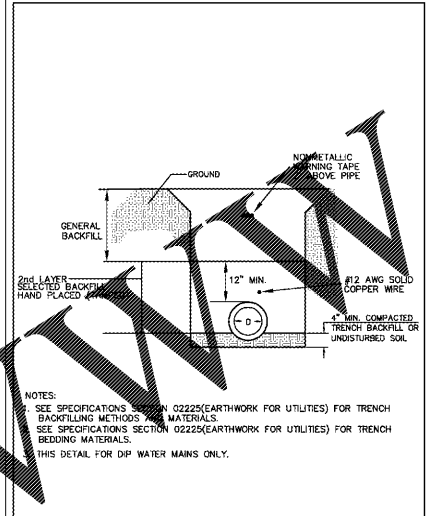
TOWN OF BRASELTON WATER & SEWER DEPARTMENTS				
JOB TITLE	SHEET TITLE	DRAWN BY	DATE	SCALE
STANDARD DETAIL	INVERT CONSTRUCTION	CSG	SEP 2004	SCALE: N.T.S.



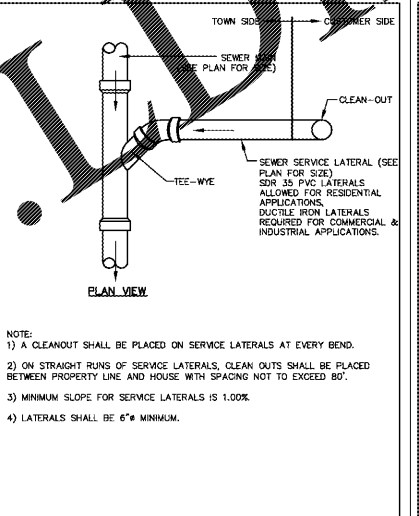
TOWN OF BRASELTON WATER & SEWER DEPARTMENTS				
JOB TITLE	SHEET TITLE	DRAWN BY	DATE	SCALE
STANDARD DETAIL	CLASS 1B BEDDING DETAIL	CSG	MAY 2009	SCALE: N.T.S.



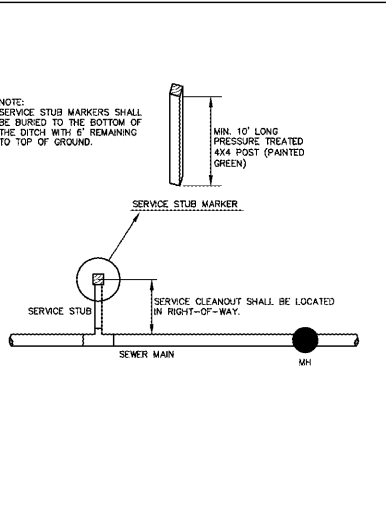
TOWN OF BRASELTON WATER & SEWER DEPARTMENTS				
JOB TITLE	SHEET TITLE	DRAWN BY	DATE	SCALE
STANDARD DETAIL	CLASS 20 BEDDING DETAIL	CSG	MAY 2009	SCALE: N.T.S.



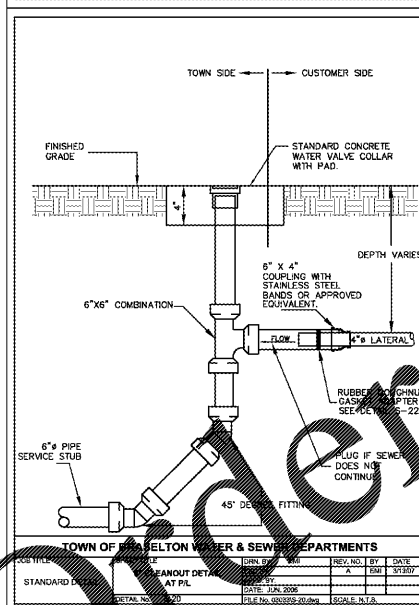
TOWN OF BRASELTON WATER & SEWER DEPARTMENTS				
JOB TITLE	SHEET TITLE	DRAWN BY	DATE	SCALE
STANDARD DETAIL	CLASS 1B BEDDING DETAIL	CSG	JANUARY 2009	SCALE: N.T.S.



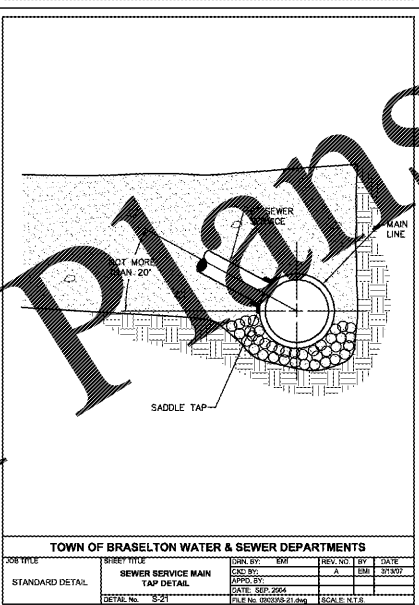
TOWN OF BRASELTON WATER & SEWER DEPARTMENTS				
JOB TITLE	SHEET TITLE	DRAWN BY	DATE	SCALE
STANDARD DETAIL	SERVICE LATERAL	CSG	SEP 2004	SCALE: N.T.S.



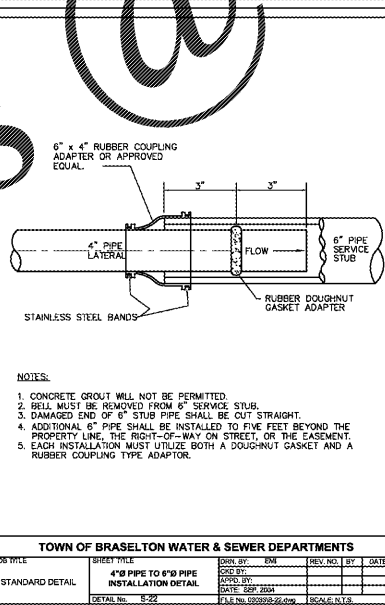
TOWN OF BRASELTON WATER & SEWER DEPARTMENTS				
JOB TITLE	SHEET TITLE	DRAWN BY	DATE	SCALE
STANDARD DETAIL	SERVICE STUB MARKER DETAIL	CSG	SEP 2004	SCALE: N.T.S.



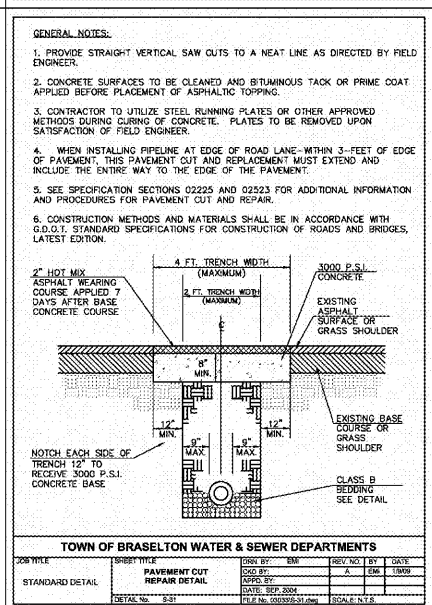
TOWN OF BRASELTON WATER & SEWER DEPARTMENTS				
JOB TITLE	SHEET TITLE	DRAWN BY	DATE	SCALE
STANDARD DETAIL	MANHOLE AT P.L.	CSG	JUN 2008	SCALE: N.T.S.



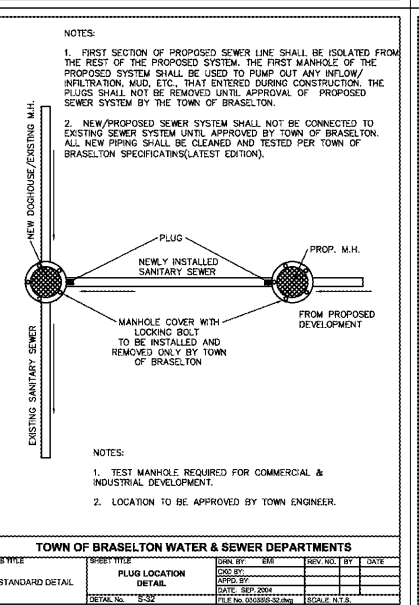
TOWN OF BRASELTON WATER & SEWER DEPARTMENTS				
JOB TITLE	SHEET TITLE	DRAWN BY	DATE	SCALE
STANDARD DETAIL	SEWER SERVICE MAIN TAP DETAIL	CSG	SEP 2004	SCALE: N.T.S.



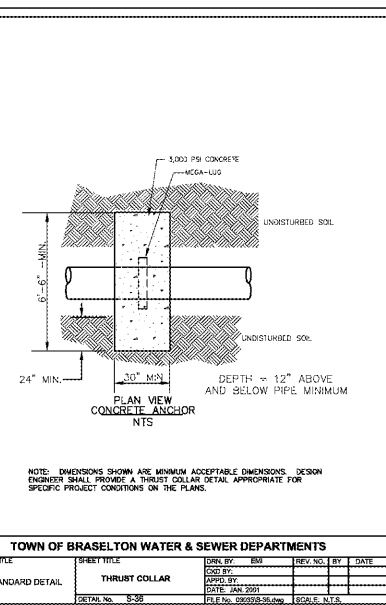
TOWN OF BRASELTON WATER & SEWER DEPARTMENTS				
JOB TITLE	SHEET TITLE	DRAWN BY	DATE	SCALE
STANDARD DETAIL	4" PIPE TO 6" PIPE INSTALLATION DETAIL	CSG	SEP 2004	SCALE: N.T.S.



TOWN OF BRASELTON WATER & SEWER DEPARTMENTS				
JOB TITLE	SHEET TITLE	DRAWN BY	DATE	SCALE
STANDARD DETAIL	PAVEMENT REPAIR DETAIL	CSG	SEP 2004	SCALE: N.T.S.



TOWN OF BRASELTON WATER & SEWER DEPARTMENTS				
JOB TITLE	SHEET TITLE	DRAWN BY	DATE	SCALE
STANDARD DETAIL	PLUG LOCATION DETAIL	CSG	SEP 2004	SCALE: N.T.S.



TOWN OF BRASELTON WATER & SEWER DEPARTMENTS				
JOB TITLE	SHEET TITLE	DRAWN BY	DATE	SCALE
STANDARD DETAIL	THRUST COLLAR	CSG	MAY 2001	SCALE: N.T.S.

**dpe**  
Development Planning  
& Engineering, Inc.  
civil, mechanical, transportation  
survey

5075 BRISTOL INDUSTRIAL WAY  
SUITE 100  
ROCHFORD, GEORGIA 30018  
(770) 271-2868  
www.dpengr.com

PREPARED FOR:  
**FRIENDSHIP ROAD  
PROPERTIES, LLC**  
3101 TOWERCREEK PKWY.  
SUITE 420  
ATLANTA, GA 30339  
MR. RANDY HERRON  
(404) 578-8296

PROJECT NAME:  
**CREEKSIDE  
RETAIL**

TASK:  
**CONSTRUCTION  
DETAILS**

**REGISTERED  
PROFESSIONAL  
ENGINEER**  
G.E. PARKS  
04/12/08

PROJECT INFORMATION:

Project Name	CREEKSIDE RETAIL
Project Number	15-082F
Project Address	OLD WINDER HIGHWAY
Parcel No.(s)	G.M.D. 1749
Land Lot / District	TOWN OF BRASELTON HALL COUNTY
County, State	

DATE	REVISION

R/JP DESIGN	AS SHOWN SCALE
R/JP DRAWN	15 of 17
KWB CHECKED	SHEET
03/20/18 DATE	15-082F PROJECT No.

**GEORGIA811**  
Utilities Protection Center, Inc.  
Keep what's below.  
Call before you dig.