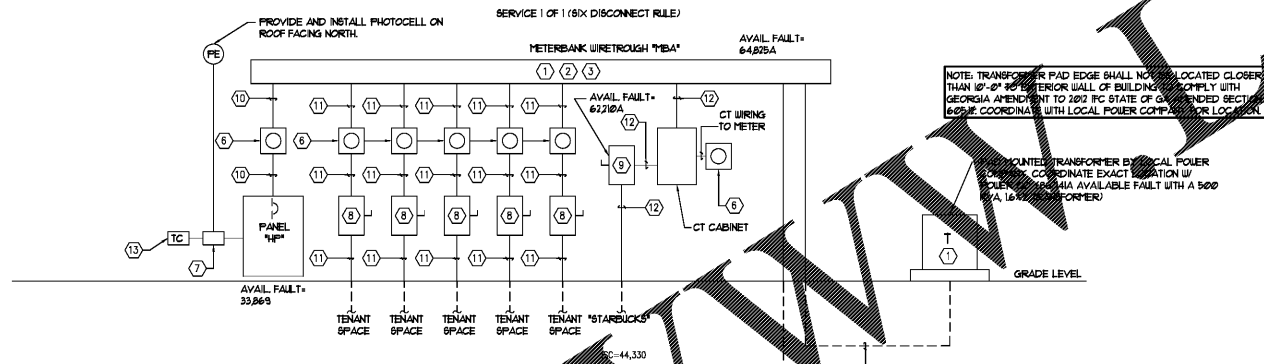


Order Plans

PANELS SHALL BE UL FULLY RATED FOR AIC RATINGS INDICATED. WHERE NO VALUES ARE INDICATED, ASSUME MINIMUM RATINGS. IF SERIES RATED PANELS ARE PROVIDED, CONTRACTOR SHALL SUBMIT TO THE ENGINEER SERIES RATED CALCULATIONS PERFORMED SPECIFICALLY BY THE PANEL MANUFACTURER IN ORDER TO MEET AIC RATINGS INDICATED ON DRAWINGS. THESE CALCULATIONS SHALL BE REVIEWED BY THE ENGINEER FOR APPROVAL.

NOTE: ELECTRICAL SERVICE EQUIPMENT SHALL BE LEGIBLY MARKED IN THE FIELD WITH MAXIMUM AVAILABLE FAULT CURRENT PER NEC 100.54.



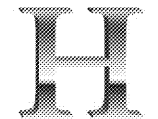
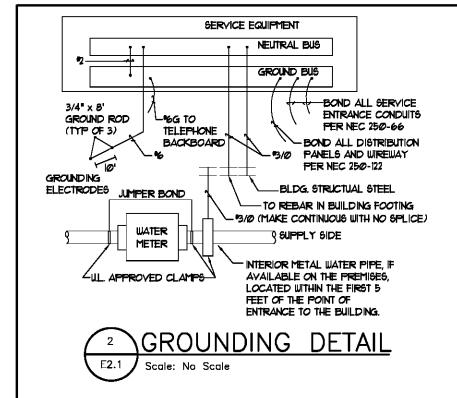
NOTE: TRANSFORMER PAD EDGE SHALL NOT BE LOCATED CLOSER THAN 10' FROM EXTERIOR WALL OF BUILDING TO COMPLY WITH GEORGIA AMENDMENT TO 2017 IFC STATE OF GEORGIA SECTION 609.06 COORDINATE WITH LOCAL POWER COMPANY FOR LOCATION.

NOTE: MOUNTED TRANSFORMER BY LOCAL POWER COMPANY. COORDINATE EXACT LOCATION WITH LOCAL POWER COMPANY. ALL AVAILABLE FAULT WITH A 500 (VA) 167.5 (TRANSFORMER)

NOTE: IF AVAILABLE ON THE PREMISES METAL WATER PIPING, BUILDING STEEL, CONCRETE-ENCASED ELECTRODE (REINFORCING RODS IN FOUNDATIONS), AND GROUND RING SHALL BE BONDED TOGETHER TO FORM THE GROUNDING ELECTRODE SYSTEM PER NEC 250.50.

1 ELECTRICAL RISER DIAGRAM
NO SCALE

- LEGEND NOTES:
(APPLY TO THIS SHEET ONLY)
- IF POWER COMPANY TRANSFORMER IS DIFFERENT THAN SIZE INDICATED, PROVIDE FAULT CURRENT RATINGS TO MATCH INSTALLED TRANSFORMER.
 - PROVIDE AND INSTALL NEMA 3R WIREWAY (SIZE AS REQUIRED PER NEC). PROVIDE PLAQUE INDICATING NUMBER AND SERVICE LOCATIONS.
 - PROVIDE AND INSTALL SCREW TYPE LUGS TO CONNECT WIRING FOR EACH PHASE. UPON INSTALLATION COMPLETION OF TAPS, PROVIDE INSULATION AROUND TAPS AND BARE CONDUCTORS.
 - PROVIDE AND INSTALL (4) SETS OF 4#500kcmil, 4" C. FROM POWER COMPANY TRANSFORMER TO WIRETROUGH. PROVIDE (1) ADDITIONAL 4" C. FROM XFMR TO WIRETROUGH FOR FUTURE.
 - GROUND PER NEC 250.52. PROVIDE 1#3/0G(CU)-1" C. REFER TO GROUNDING DETAIL THIS SHEET.
 - POWER COMPANY METER (TYPICAL). COORDINATE WITH LOCAL POWER COMPANY FOR INSTALLATION REQUIREMENTS.
 - PROVIDE 20A, 120V CONTACTS, 120V COIL, EOEH (ELECTRICALLY OPEN, ELECTRICALLY HELD) CONTACTORS, ON BY PHOTOCELL, OFF BY TIMECLOCK. PROVIDE QUANTITY OF POLES AS REQUIRED.
 - PROVIDE AND INSTALL 200A/3/200AF/3R DISCONNECT SWITCH.
 - PROVIDE AND INSTALL 400A/3/400AF/3R DISCONNECT SWITCH.
 - PROVIDE AND INSTALL 4#2,1#6G, 1"-1/4" C.
 - PROVIDE AND INSTALL 4#3/0, 1#6G, 2" C.
 - PROVIDE AND INSTALL (2) SETS OF: 4#3/0, 1#3G, 2" C.
 - PROVIDE AND INSTALL 7 DAY/24 HOUR TIMECLOCK WITH OVERRIDE IN NEMA 3R ENCLOSURE.



Hoskins Engineering, LLC
1357 Dalesford Drive
Alpharetta, GA 30004
Phone/Fax: (878) 463-5074

© This drawing is copyrighted and the property of the engineer. It shall not be reproduced, published, or used in any way without the expressed written permission of the engineer.

FOR CONSTRUCTION

date 5/22/18
drawn MH
checked MH
proj# 18029

RISER DIAGRAM

E2.1

CREEKSIDE RETAIL
1211 FRIENDSHIP RD.
BRASELTON, GA

ZANARDO ARCHITECTS, P.C.
3675 CRESTWOOD PARKWAY
SUITE 100
DUBLIN, GA 31006
770.806.1031

DATE	REVISION
5/22/18	PERMIT REVIEW

NO.	DATE	REVISION

THE DRAWING IS THE PROPERTY OF ZANARDO ARCHITECTS, P.C. IT IS TO BE USED ONLY FOR THE PROJECT AND SITE SPECIFICALLY IDENTIFIED HEREON. IT IS NOT TO BE REPRODUCED, COPIED, OR TRANSMITTED IN ANY FORM OR BY ANY MEANS, ELECTRONIC OR MECHANICAL, INCLUDING PHOTOCOPYING, RECORDING, OR BY ANY INFORMATION STORAGE AND RETRIEVAL SYSTEM. WITHOUT THE WRITTEN PERMISSION OF ZANARDO ARCHITECTS, P.C. © 2017 ZANARDO ARCHITECTS, P.C.