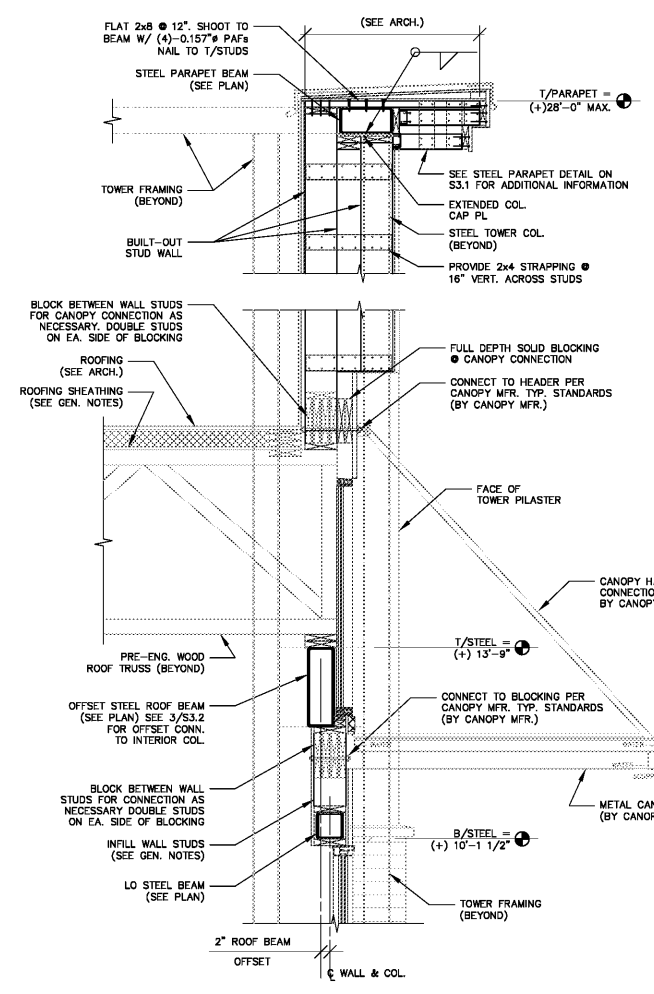
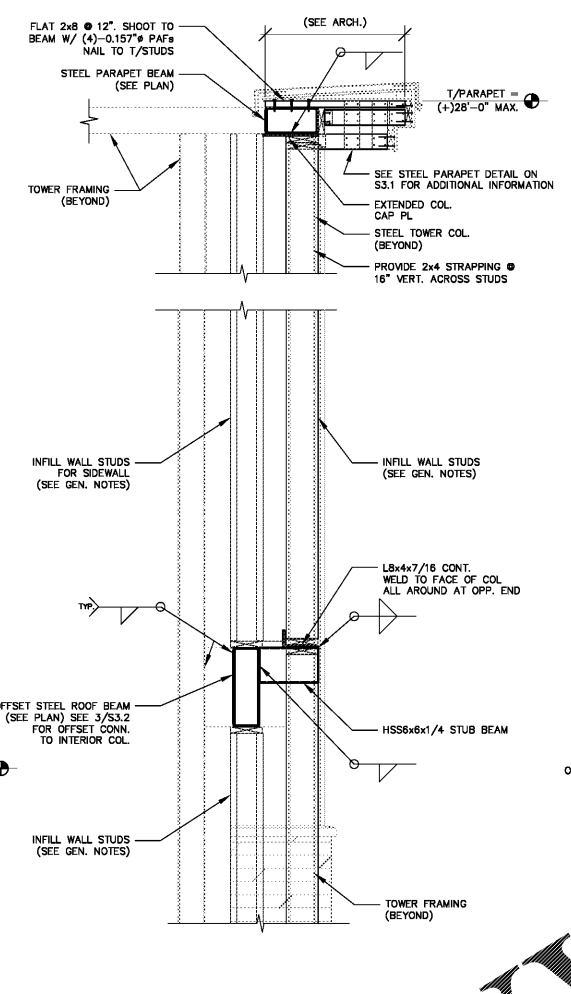


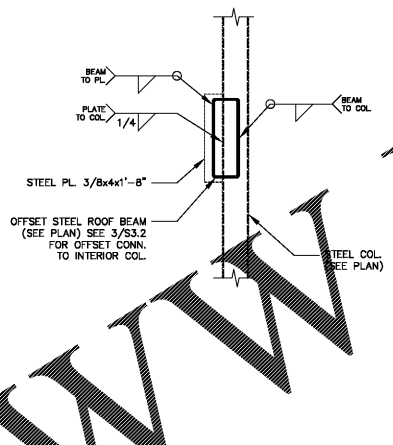
Order Plans @



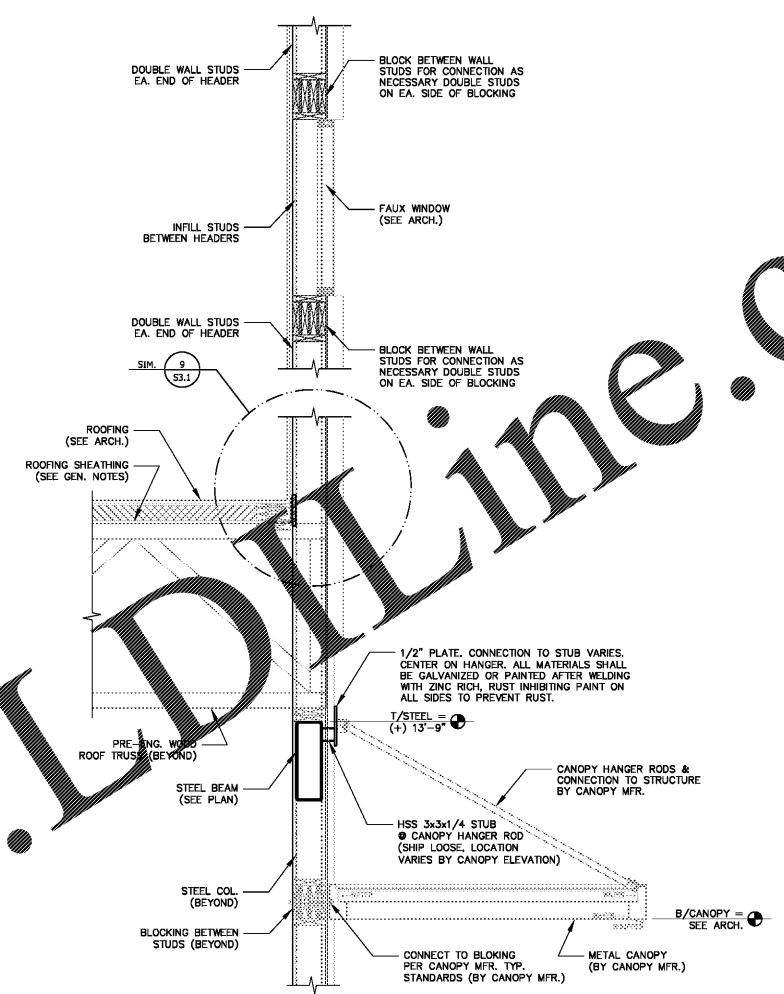
1 SECTION
S3.2 SCALE: 3/4" = 1'-0"



2 SECTION
S3.2 SCALE: 3/4" = 1'-0"



3 SECTION - @ GRID 1.5
S3.2 SCALE: 3/4" = 1'-0"



4 SECTION - FAUX WINDOWS
S3.2 SCALE: 3/4" = 1'-0"



PROFESSIONAL ARCHITECT
T. E. GILLIAM
1000 W. BROAD ST., SUITE 100
ATLANTA, GA 30309
404.525.1111
© 2017 ZANARDO ARCHITECTS

| | |
|--------------|----------|
| ISSUE RECORD | revision |
| NO. | DATE |
| 1 | 5/1/18 |
| 2 | 5/1/18 |

| | |
|------------------|----------|
| DRAWING REVISION | revision |
| NO. | DATE |
| 1 | |
| 2 | |

CREEKSIDE RETAIL
1211 FRIENDSHIP RD.
BRABELTON, GA

ZANARDO ARCHITECTS, P.C.
3675 CRESTWOOD PARKWAY
SUITE 520
DULUTH, GA 30096-1035
770.806.1035

| | |
|---------|----------|
| date | 01/28/18 |
| drawn | STB |
| checked | TG |
| proj# | 1806 |

SECTIONS & DETAILS

S3.2



GW Design Group, LLC
(770) 457-0065