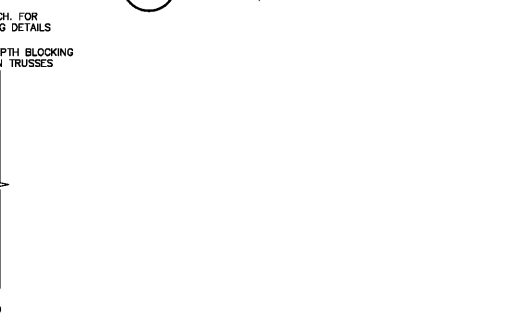
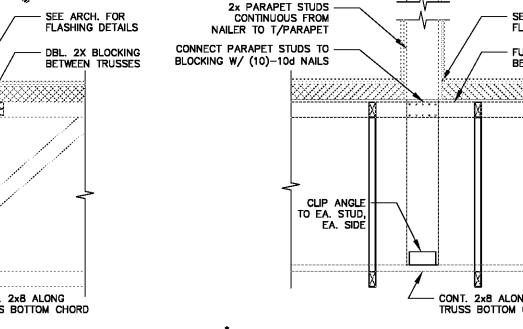
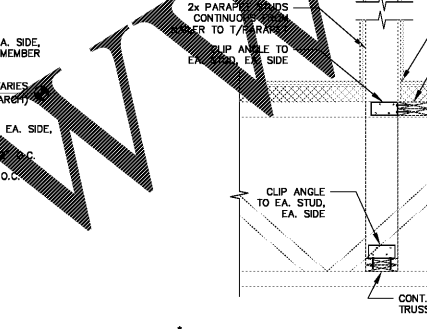
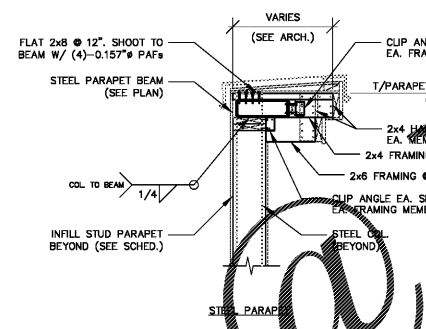
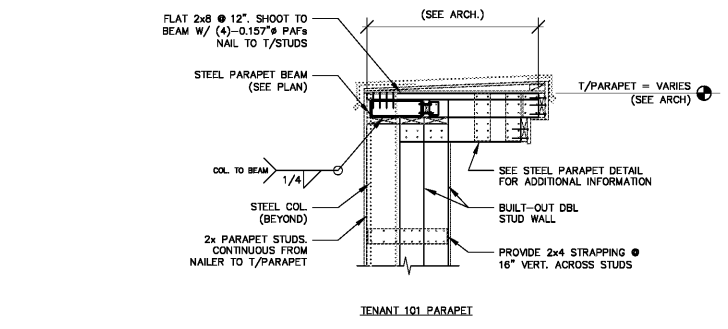
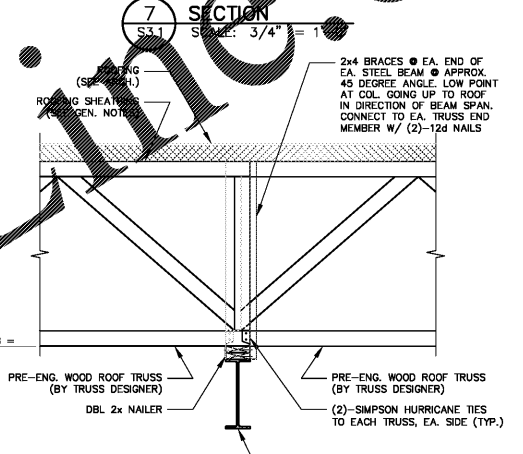
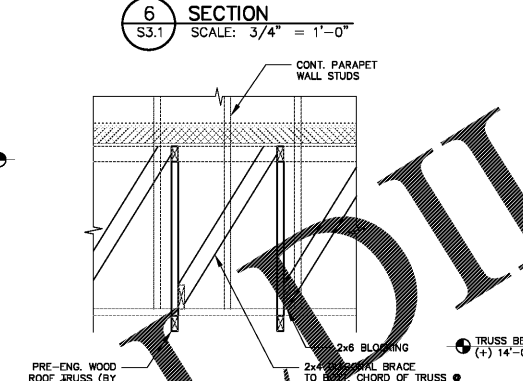
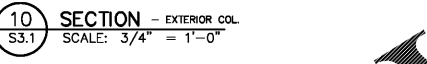
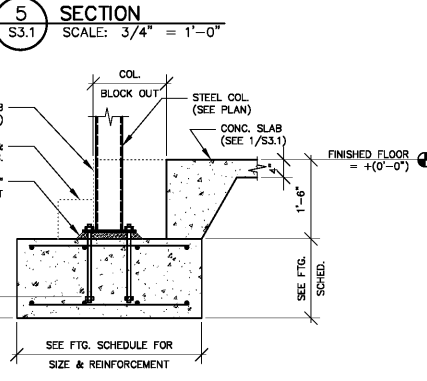
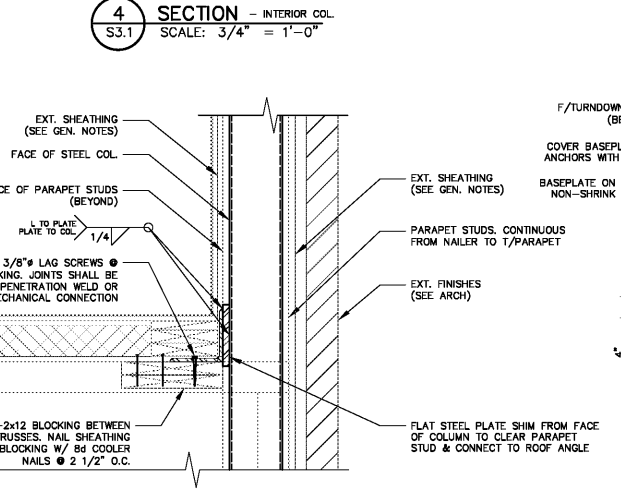
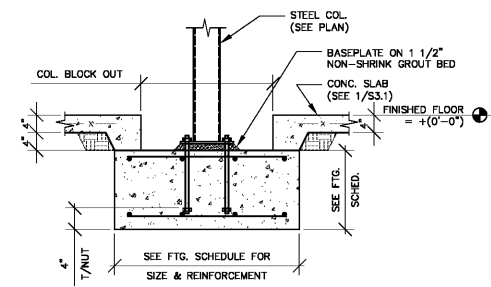
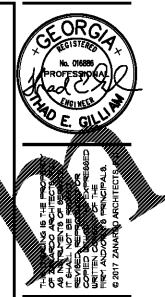
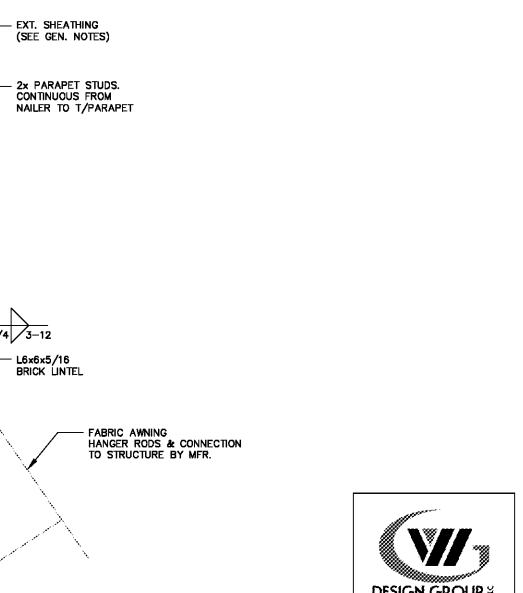
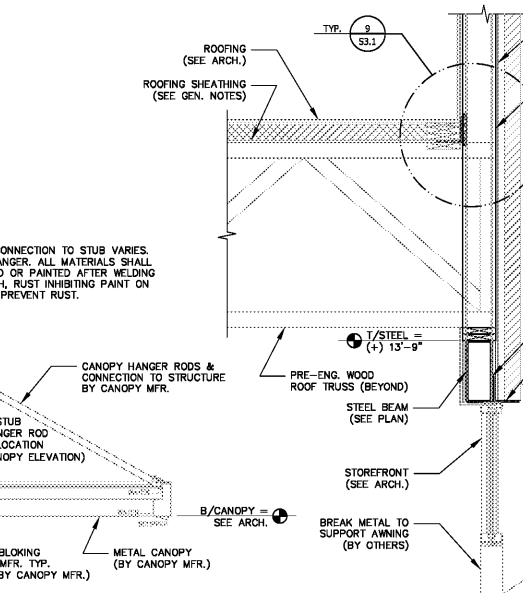
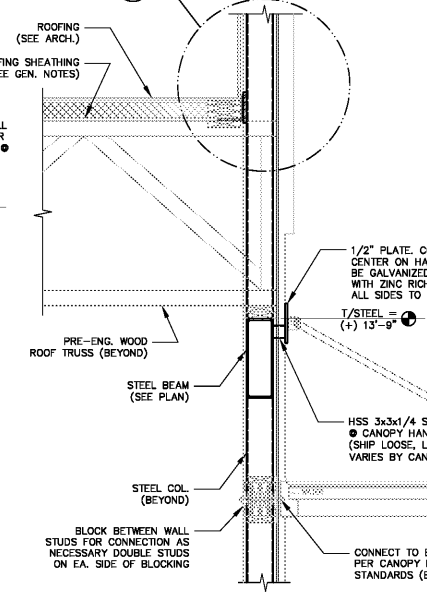
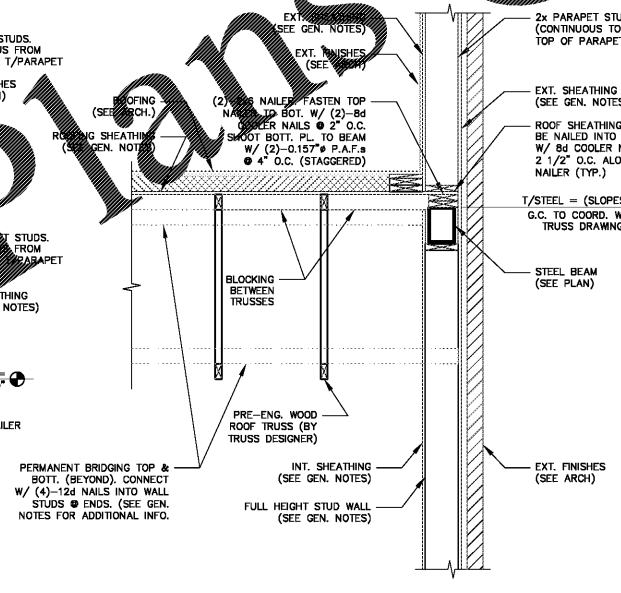
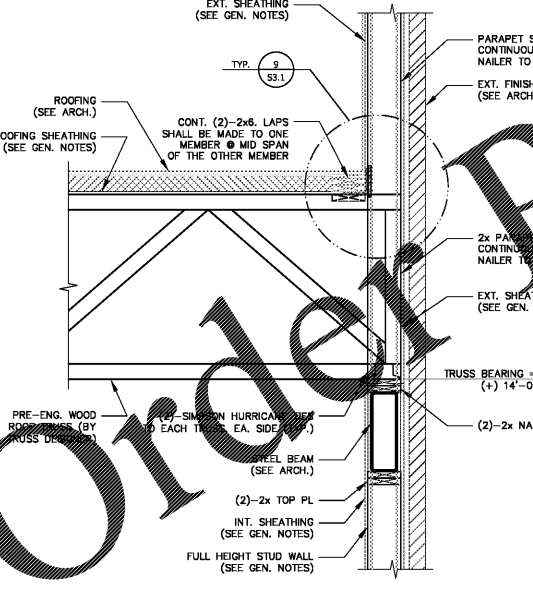


NOT USED



TYPICAL PARAPET DETAILS



NO.	DATE	REVISION

CREEKSIDE RETAIL
1211 FRIENDSHIP RD.
BRABELTON, GA

ZANARDO ARCHITECTS, P.C.
3675 CRESTWOOD PARKWAY
SUITE 520
DUBLIN, GA 31006-1035

date 01/28/18
drawn STS
checked TG
proj# 1806

SECTIONS & DETAILS
S3.1



Order Plans