



ISSUE RECORD  
no. date revision

ISSUE RECORD  
no. date revision

ISSUE RECORD  
no. date revision

ISSUE RECORD  
no. date revision

CREEKSIDE RETAIL  
1211 FRIENDSHIP RD.  
BRASELTON, GA

CREEKSIDE RETAIL  
1211 FRIENDSHIP RD.  
BRASELTON, GA

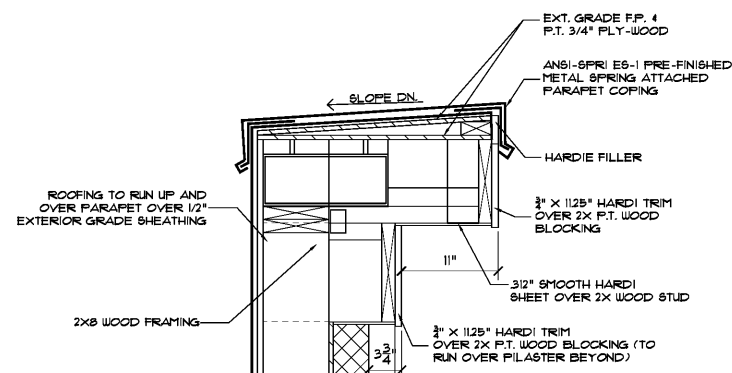
ANARDO  
ARCHITECTS, P.C.  
3675 CRESTWOOD PARKWAY  
DULUTH, GA 30096  
770.806.1031

ANARDO  
ARCHITECTS, P.C.  
3675 CRESTWOOD PARKWAY  
DULUTH, GA 30096  
770.806.1031

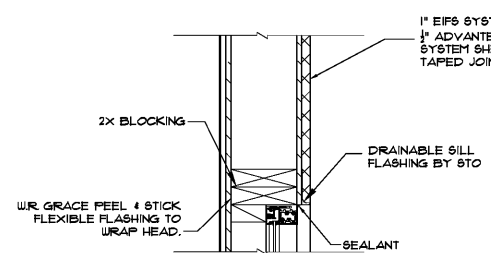
date 01/28/18  
drawn NT  
checked SZ  
proj# 2018-01

WALL DETAILS &  
DUMPSTER DTL

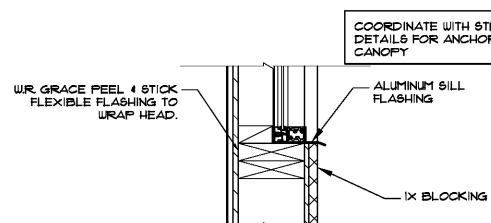
A5.2



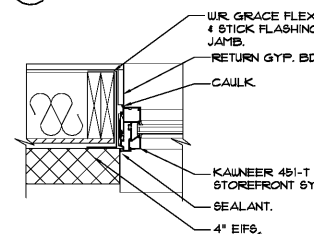
1 PARAPET DETAIL  
1/2" = 1'-0" STEEL PARAPET  
COORDINATE WITH STRUCTURAL DETAILS FOR FRAMING OF PARAPETS



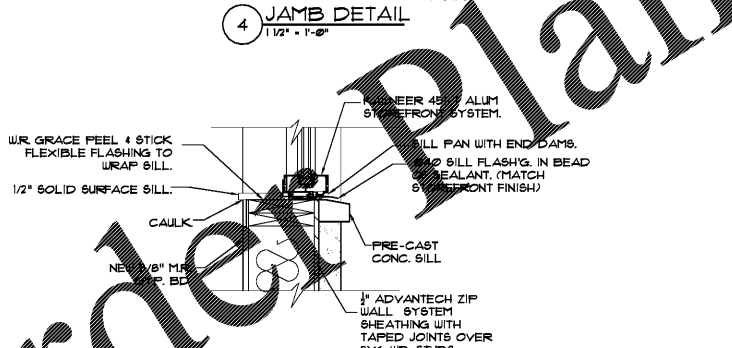
2 HEAD DETAIL  
NTS



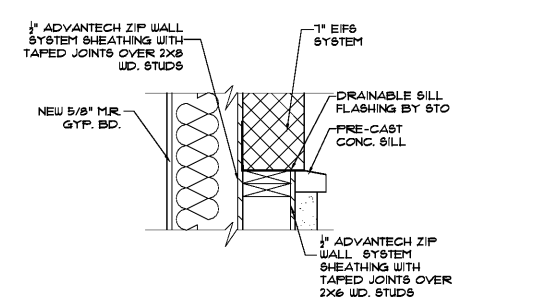
3 SILL DETAIL  
NTS



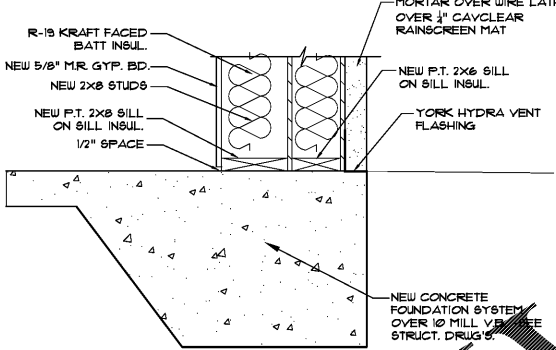
4 JAMB DETAIL  
1/2" = 1'-0"



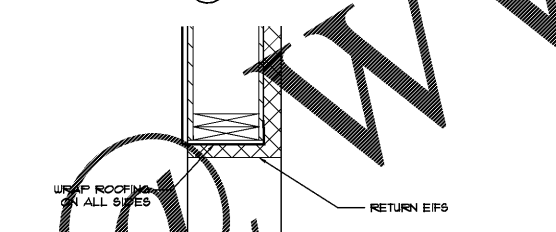
5 DETAIL  
1/2" = 1'-0"



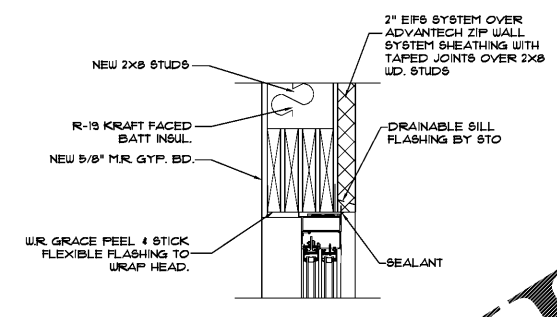
6 DETAIL  
1/2" = 1'-0"



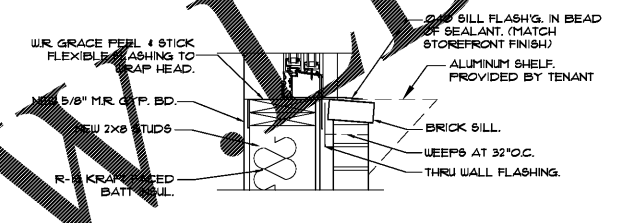
7 FOOTING DETAIL  
1/2" = 1'-0"



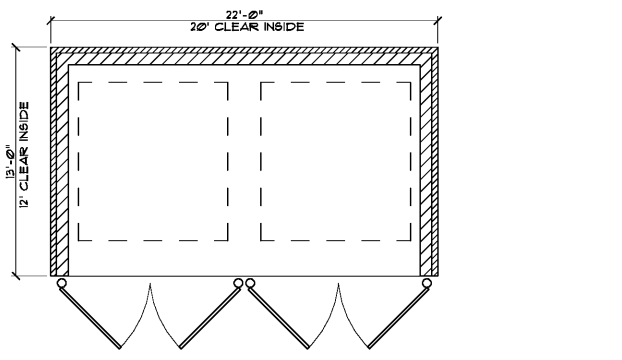
8 DETAIL  
1/2" = 1'-0"



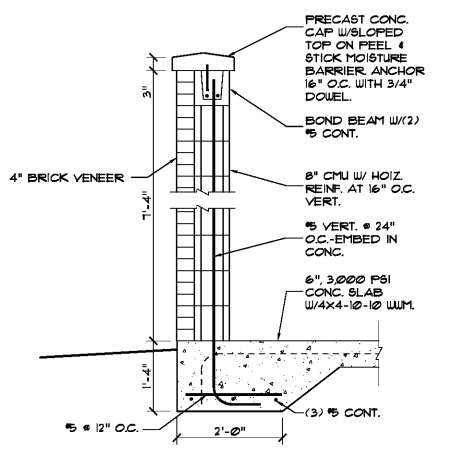
9 DRIVE THRU HEAD DETAIL  
1/2" = 1'-0"



10 DRIVE THRU SILL DETAIL  
1/2" = 1'-0"



11 DUMPSTER ENCLOSURE PLAN & TYP. ELEV.  
1/4" = 1'-0"  
NOTE: ENCLOSURE DOORS, HARDWARE & POSTS BY "CORVIT" OR EQUAL. STEEL POSTS, DECORATIVE ROUND CAP, ADJUSTABLE HINGES WITH GREASE FITTINGS. GATES TO HAVE SIMULATED PVC WOOD VERTICAL SLATS IN ALUM. FRAME WITH DROP PINS AND HANDLES. WWW.CORVIT.COM



12 DUMPSTER ENCLOSURE WALL  
3/4" = 1'-0"

Order Plans @ WWW.WWDILine.com