



PARTNERS in Architecture, PLC

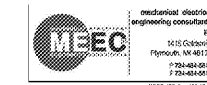
65 MARKET STREET  
MOUNT CLEMENS, MI 48043  
P 586.469.3000  
F 586.469.3057

Statement of Intellectual Property

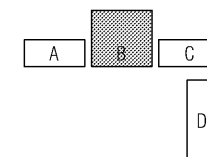
The ideas, concepts, drawings and thoughts conveyed herein are the intellectual property of PARTNERS in Architecture, PLC, 65 Market Street, Mount Clemens, MI 48043 (P 586.469.3000). This set of drawings, in whole or in part, may not be reproduced, without the written consent of PARTNERS in Architecture, PLC. This information is protected under U.S. Copyright Law, all rights reserved.

© Copyright 2016

CONSULTANT



KEY PLAN



OWNER

Suwanee Grocery, LLC

8110 N. Saint Louis Avenue  
Skokie, IL 60076

PROJECT NAME

Suwanee Grocery, LLC  
Building-B Build-Out

3230 Caliber Street  
Suwanee, GA 30024

PROJECT NO.

16-177

ISSUES / REVISIONS

Bidding - Construction 04/30/18

DRAWN BY

WEV

CHECKED BY

WEV

APPROVED BY

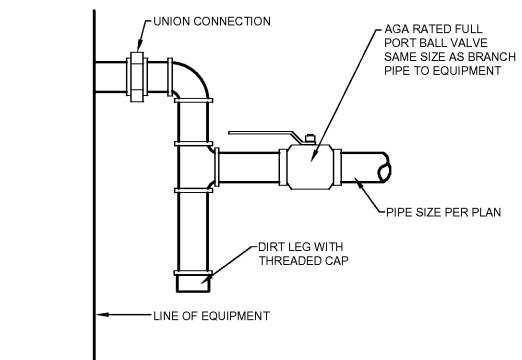
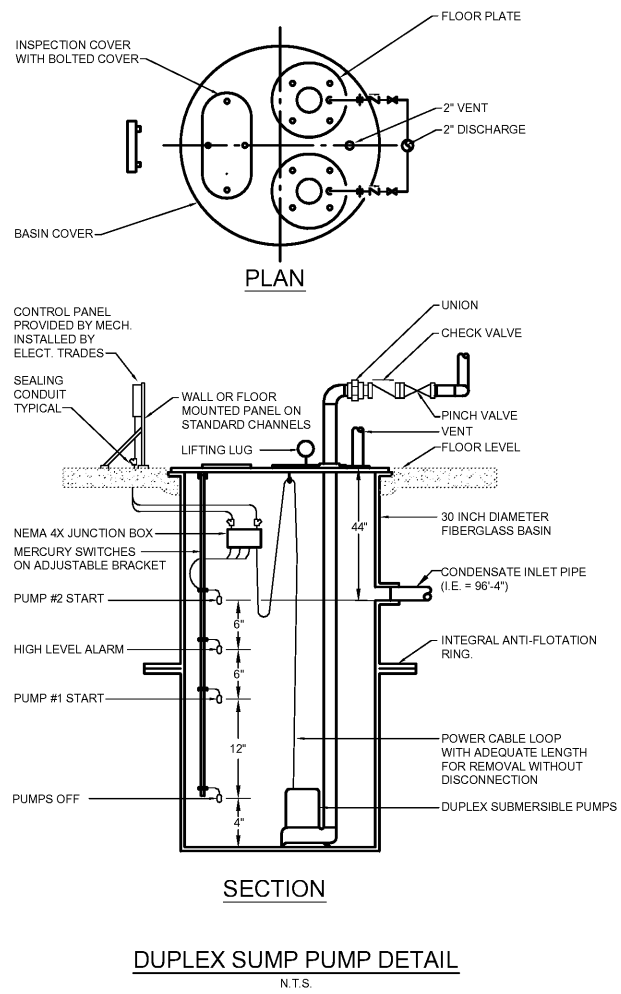
JFB

SHEET NAME

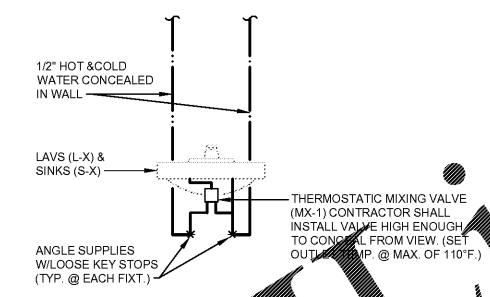
PLUMBING -  
DETAILS

SHEET NO.

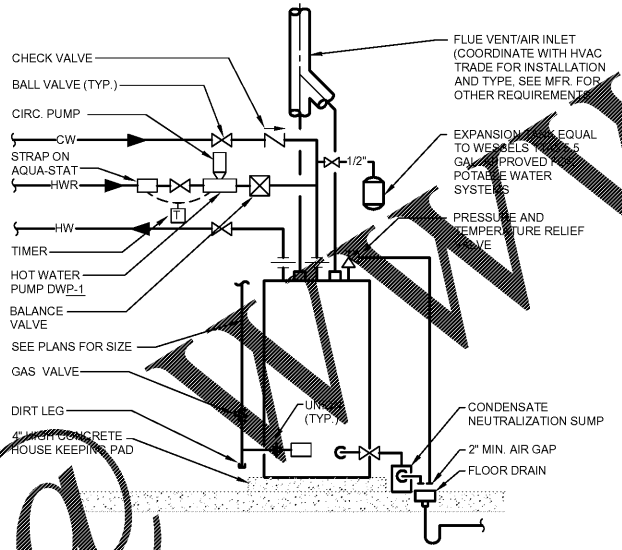
P3-010



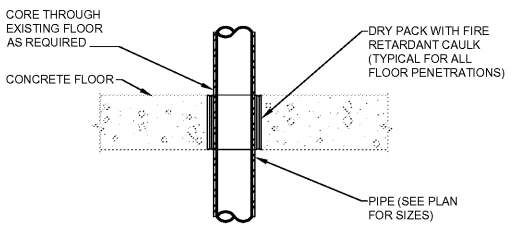
GAS PIPE EQUIPMENT CONNECTION DETAIL  
N.T.S.



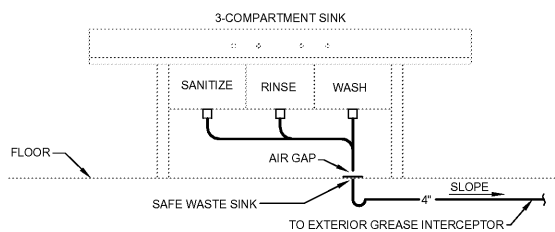
THERMOSTATIC MIXING VALVE DETAIL  
N.T.S.



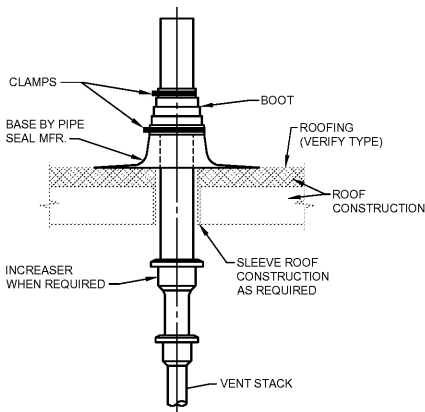
GAS FIRED WATER HEATER PIPING DIAGRAM  
N.T.S.



PIPE SLEEVE THROUGH FLOOR DETAIL  
N.T.S.



3 - COMPARTMENT SINK DETAIL  
N.T.S.



VENT THROUGH ROOF DETAIL  
N.T.S.

Order Plans