



PARTNERS in Architecture, PLC

63 MARKET STREET  
MOUNT CLEMENS, MI 48043  
P 586 469 2600  
F 586 469 2607

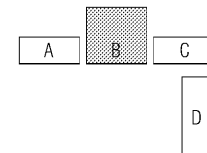
Michael A. Malone, Architect  
- Georgia Registration No. 18614885

Statement of Intellectual Property  
The ideas, concepts, drawings and thoughts conveyed herein are the intellectual property of PARTNERS in Architecture, PLC, 63 Market Street, Mount Clemens, MI, 48043 (P 586 469 2600). This set of drawings, in whole or in part, may not be reproduced, without the written consent of PARTNERS in Architecture, PLC. This information is protected under U.S. Copyright Law, all rights reserved.

© Copyright 2018

PROFESSIONAL SEAL

KEY PLAN



OWNER

Suwanee Grocery, LLC

8110 N. Saint Louis Avenue  
Skokie, IL 60076

PROJECT NAME

Suwanee Grocery, LLC  
Building-B Build-Out

3230 Caliber Street  
Suwanee, GA 30024

PROJECT NO.

16-177

ISSUES / REVISIONS

Bidding - Construction 05/01/18

DRAWN BY

JEE

CHECKED BY

FGM

APPROVED BY

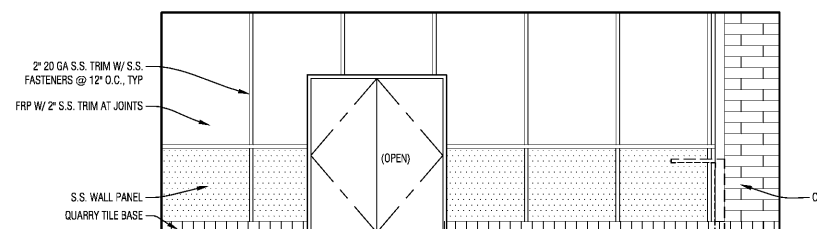
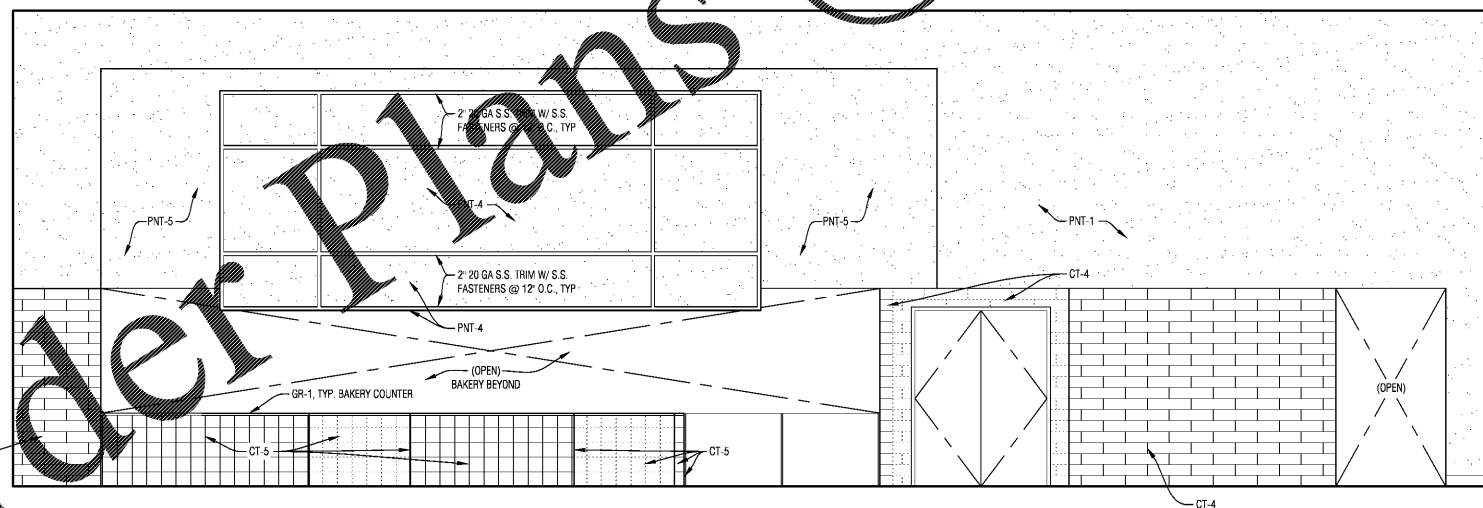
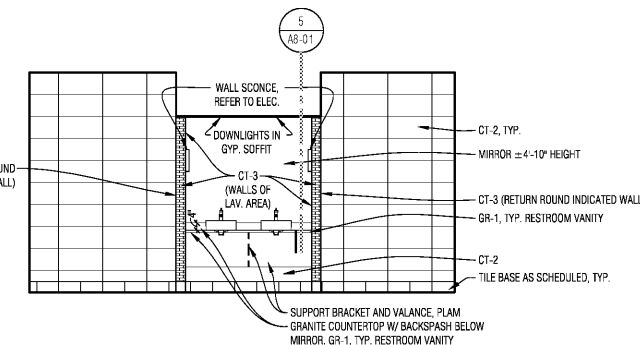
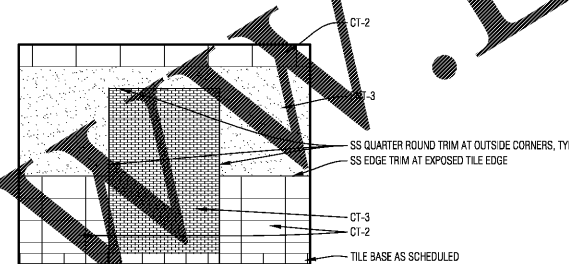
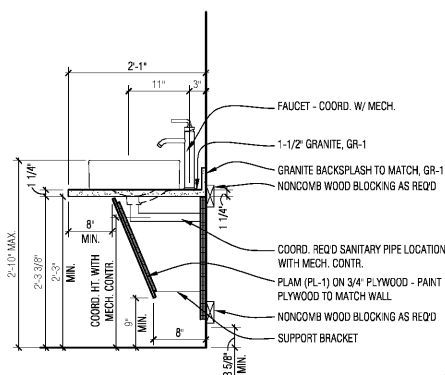
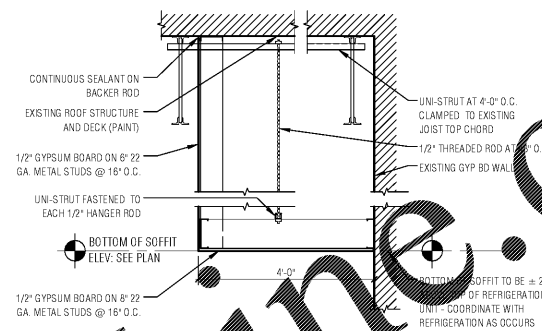
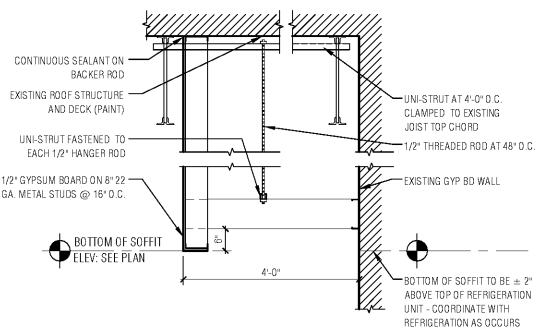
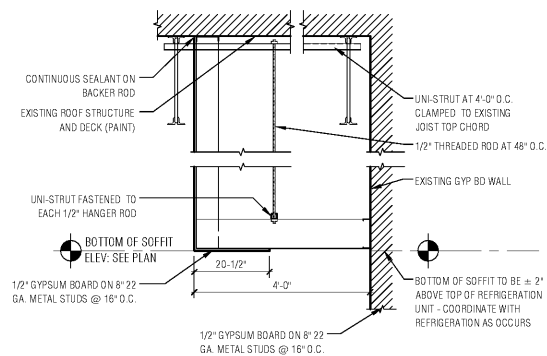
MAM

SHEET NAME

INTERIOR  
ELEVATIONS

SHEET NO.

A8-01



Order Plans @

WWW.LDILINE.COM