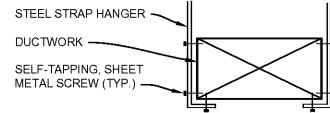


K AUXILIARY DRAIN PAN SCHEMATIC
N.T.S.

METAL GAUGE FOR DUCTWORK TO BE AS FOLLOWS:

ROUND DUCT 3 TO 19 INCHES TO BE 26 GAUGE RECTANGULAR DUCT UP TO 12 INCHES WIDE TO BE 26 GAUGE RECTANGULAR DUCT 13 TO 30 INCHES WIDE TO BE 24 GAUGE RECTANGULAR DUCT ABOVE 30 INCHES WIDE TO BE 22 GAUGE.



HANGER SPACING:

DUCT FACE AREA FROM 0 TO 4 SQ. FT. HANGERS 98" O.C. MAX
DUCT FACE AREA FROM 4 TO 10 SQ. FT. HANGERS 72" O.C. MAX
DUCT FACE AREA FROM 10 AND GREATER HANGERS 48" O.C. MAX

WHERE DUCTS ARE LESS THAN 2 SQ. FT. IN FACE AREA, HANGERS SHALL BE NOT LESS THAN 1"x1/8" STRAP STEEL.

WHERE DUCT ARE GREATER THAN 2 SQ. FT. IN FACE AREA, HANGERS SHALL BE NOT LESS THAN 1"x1/8" STRAP STEEL.

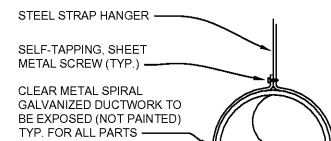
WHERE DUCT ARE 8 SQ. FT. IN FACE AREA, HANGERS SHALL BE BRACED BY 1"x1/8" STEEL ANGLES ALL AROUND, SPACED NO MORE THAN FOUR FEET ON CENTERS.

WHERE DUCTS ARE OVER 48" WIDE, THE HANGERS SHALL BE BROUGHT DOWN UNDER THE DUCT SIDES 4" AND FASTENED TO THE BOTTOM.

G DUCT SUPPORT SCHEMATIC (RECTANGULAR)
N.T.S.

METAL GAUGE FOR DUCTWORK TO BE AS FOLLOWS:

ROUND DUCT 3 TO 19 INCHES TO BE 26 GAUGE RECTANGULAR



HANGER SPACING:

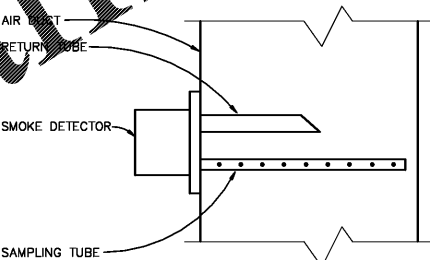
DUCT FACE AREA FROM 0 TO 4 SQ. FT. HANGERS 98" O.C. MAX
DUCT FACE AREA FROM 4 TO 10 SQ. FT. HANGERS 72" O.C. MAX
DUCT FACE AREA FROM 10 AND GREATER HANGERS 48" O.C. MAX

WHERE DUCTS ARE LESS THAN 2 SQ. FT. IN FACE AREA, HANGERS SHALL BE NOT LESS THAN 1"x1/8" STRAP STEEL.

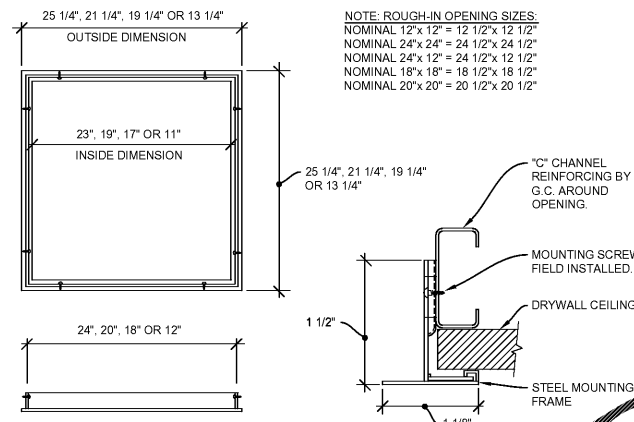
WHERE DUCT ARE GREATER THAN 2 SQ. FT. IN FACE AREA, HANGERS SHALL BE NOT LESS THAN 1"x1/8" STRAP STEEL.

WHERE DUCT ARE 8 SQ. FT. IN FACE AREA, HANGERS SHALL BE BRACED BY 1"x1/8" STEEL ANGLES ALL AROUND, SPACED NO MORE THAN FOUR FEET ON CENTERS.

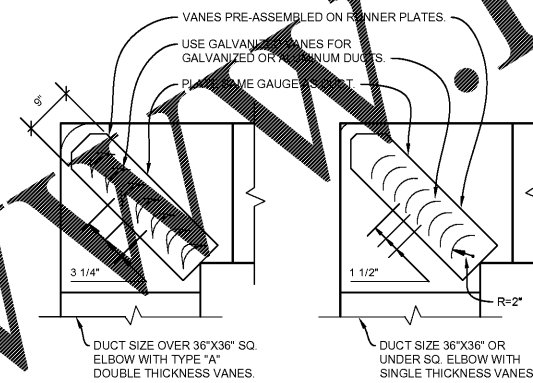
H DUCT SUPPORT SCHEMATIC ROUND
N.T.S.



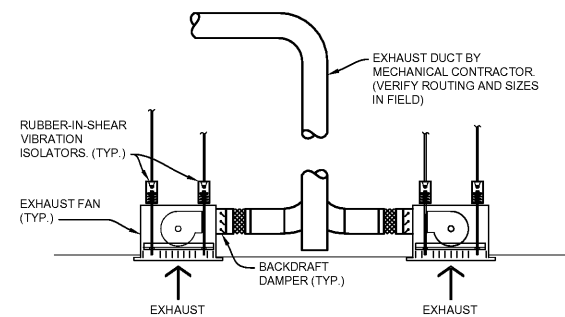
J SMOKE DETECTOR SCHEMATIC
N.T.S.



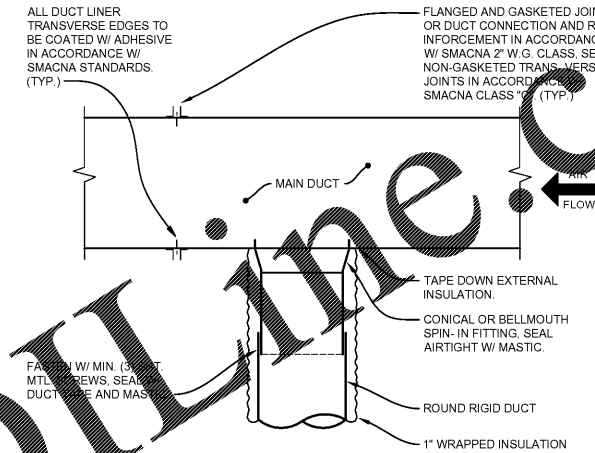
D DRYWALL MOUNTING FRAME SCHEMATIC
N.T.S.



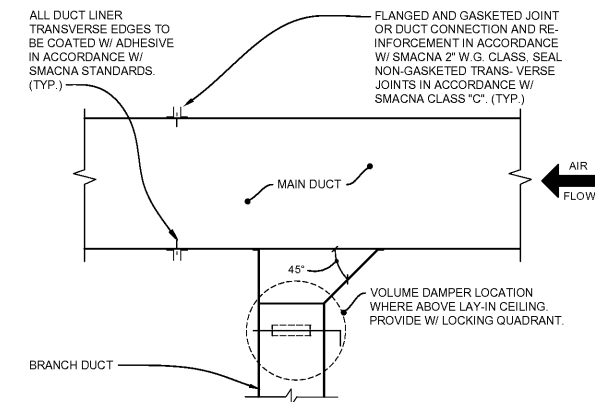
E TURNING VANE SCHEMATIC
N.T.S.



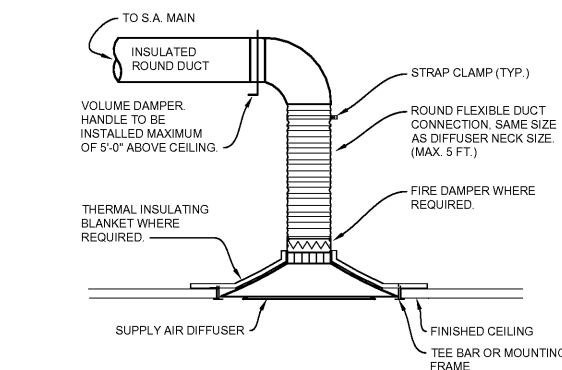
F TOILET EXHAUST FAN SCHEMATIC
N.T.S.



A TYP. ROUND DUCT TAKE-OFF SCHEMATIC
N.T.S.



B TYP. SQUARE DUCT TAKE-OFF SCHEMATIC
N.T.S.



C DIFFUSER MOUNTING SCHEMATIC
N.T.S.

Order Plans

KEW NISCH, AIA

2910 Inkster Road, Suite 200, Southfield, MI 48034 USA
248 355 0890, 248 355 0895 Fax

Copyright © 2017 KEW NISCH, AIA. All rights reserved.

Certification:

Consultants:
JDA Inc. 29110 Inkster Rd. Suite 200, Southfield, MI 48034 USA
248 355 0890, 248 355 0895 Fax, www.jda.com

1-218-082

M Engineering
750 Brookridge Blvd, Westerville, Ohio 43081
phone: 614.839.4539, fax: 614.839.2222, www.mengineering.us.com

Project Location:
Soft Surroundings BILTMORE VILLAGE
10 BROOK STREET, SPACE #160, ASHEVILLE, NC 28803
4,740 SQUARE FEET

DRAWINGS ISSUED FOR:

- programming
- schematic des.
- design dev.
- bidding
- permit/LL review 04-06-18
- construction

REVISIONS:

Prj. no. 18-41-031
Drawn WPK
Checked CSD
Approved

Do not scale this print. Use figured dimensions only.

Drawing title:
MECHANICAL DETAILS

Sheet no.
M1.0