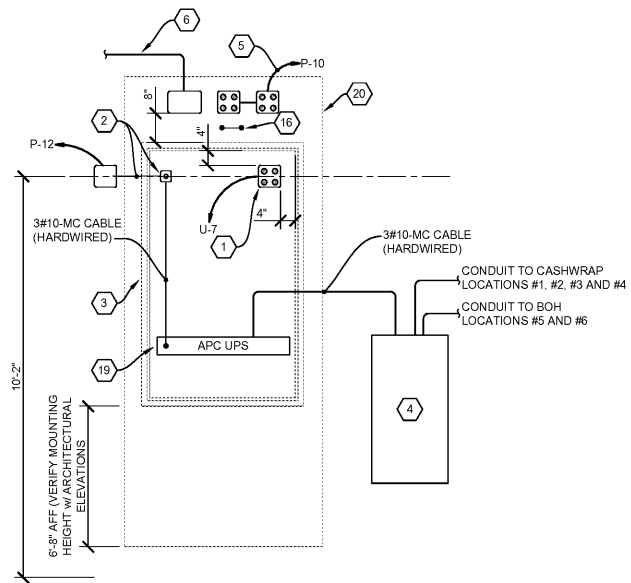
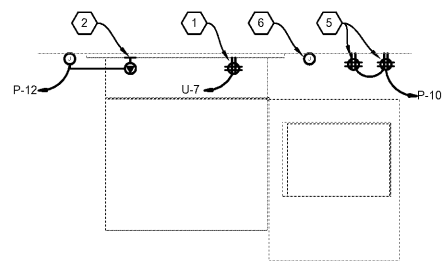


SYMBOLS LEGEND	
SYMBOLS	DESCRIPTION
	CONVENIENCE RECEPTACLE
	DATA OUTLET
	CONDUIT FED JUNCTION BOX
	ISOLATED GROUND QUAD RECEPTACLE
	LOCKABLE RECEPTACLE/DEDICATED CIRCUIT

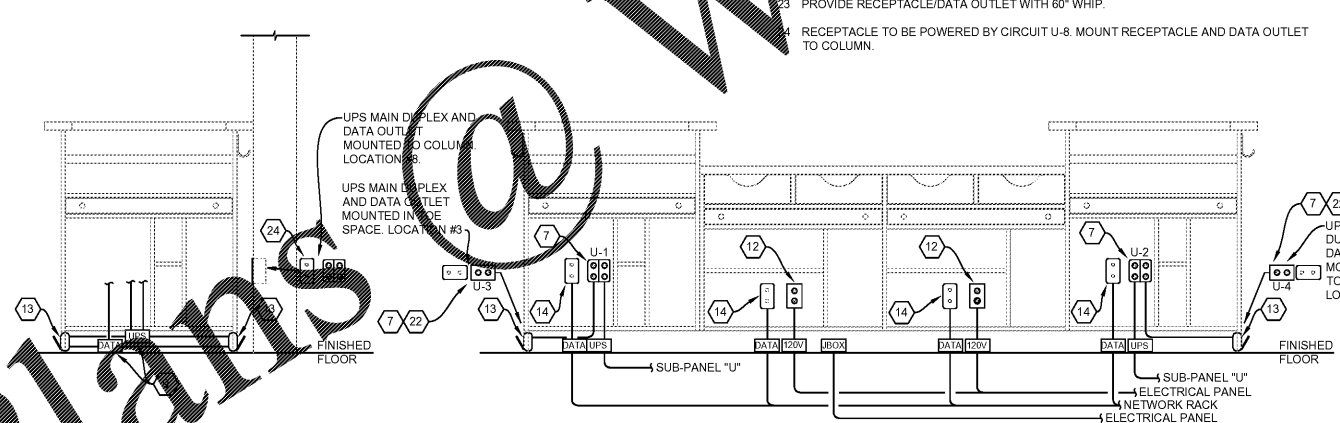


WALL MOUNT SERVER CABINET ELEVATION



WALL MOUNT SERVER CABINET PLAN VIEW

1 DATA CABINET ELEVATION DETAIL  
N.T.S.



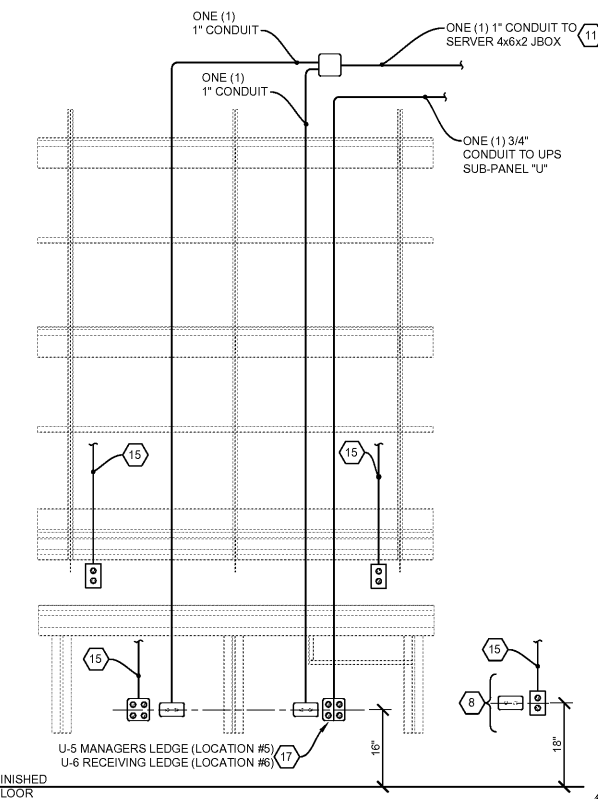
CASH WRAP ELEVATION

CASH WRAP PLAN VIEW

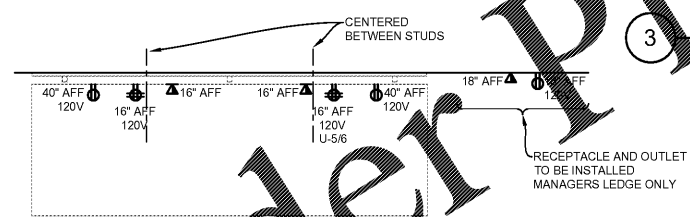
CASH WRAP PLAN VIEW (BELOW MILLWORK)

4 CASH WRAP DETAILS  
N.T.S.

CONFIGURATION SCHEDULE	
<b>SERVER CABINET POWER</b>	
1	30"x48"x34" HINGED SERVER CABINET. REFER TO E:EVATOPM FOR MOUNTING HEIGHT. CAN BE INVERTED TO HINGE ON OPPOSITE SIDE.
<b>MANAGER/RECEIVING LEDGE POWER</b>	
1	THE QUAD RECEPTACLE, FURTHEST TO THE RIGHT, WILL BE WIRED TO INDIVIDUAL 4' GREENFIELD WHIPS IN THE NETWORK CABINET AS INDICATED ON THE RISER. RECEPTABLES TO BE RED IN COLOR. THIS IS FOR BOTH FUNCTIONS NOTED ABOVE.
2	THE REMAINING QUAD RECEPTACLE ON THE LEFT OF THE CONFIGURATION, WILL BE WIRED TO PANEL BOARD "P".
3	THE UNDER COUNTER SHELF, IN MANAGERS OFFICE, IS THE BE LOCATED 30" FROM RIGHT SIDE. FLUSH WITH DESK. THE SHELF AT THE RECEIVING LEDGE IS ELIMINATED.
<b>MOBILE WRAP</b>	
1	JACKS INSTALLED BY OWNERS VENDOR INSTALLED INTO THE MAIN WRAP TOE KICK.
2	THE UPS RECEPTABLES SHALL BE RED IN COLOR.
<b>CASHWRAP</b>	
1	THE CASH WRAP IS TO HAVE FOUR UPS RECEPTABLES IN CASHWRAP. THESE ARE FED TO A SINGLE GREENFIELD WHIP. EACH CIRCUIT WILL BE PROVIDED INTO GREENFIELD WHIPS LOCATED INSIDE THE NETWORK CABINET. POWER WILL BE PROVIDED BY THE UN-INTERRUPTED POWER SOURCE (UPS) INSTALLED BY THE OWNERS VENDOR.
2	RECEPTABLES FOR THE PORTABLE WRAP ARE EITHER SIDE OF CABINET AND INSTALLED IN THE TOE KICK. RECEPTABLES ARE SIMILAR TO MOCKETT PCS24 WITH TWO POWER RECEPTABLES AND TWO NETWORK JACKS, PROVIDED AND INSTALLED BY OWNERS VENDOR.
3	GROMMET TO MOCKETT PCS24 COMMUNICATIONS OUTLET, IN TOE KICKS AS SHOWN.
4	SIX FOOT POWER CORDS CONNECTED TO EACH GROMMET WILL BE PLUGGED INTO DUPLEX RECEPTABLE INSTALLED INTO THE CASHWRAP SUBFLOOR. THESE CIRCUITS WILL BE WIRED INTO 48" GREENFIELD WHIPS INSTALLED INSIDE THE NETWORK CABINET. POWER WILL BE PROVIDED BY THE UN-INTERRUPTED POWER SOURCE UPS UNIT INSTALLED BY OWNERS VENDOR.
5	THE TWO CONVENIENCE DUPLEX RECEPTABLES, IN THE CASH WRAP, ARE TO BE CIRCUITED AS SHOWN IN THE POWER PLAN.
6	ALL ELECTRICAL APPARATUS INDICATED IN CASH WRAP AND BACK WRAP ARE REQUIRED TO BE UL LISTED AND NOTED WHEN RECEIVED ON SITE. WITH OUT THIS CERTIFICATION, IT IS POSSIBLE THAT THE JURISDICTION MAY REQUIRE A TOTAL REWIRE BY THE ON SITE ELECTRICIAN.
7	MILLWORK CONTRACTOR TO MODIFY DELIVERED INTERIOR SHELVING CUT OUTS TO 3".
8	THE CONDUITS LEADING FROM THE RECEPTACLE JUNCTION BOXES SHOULD ACCESS THE TOE KICK AREA SPECIFIC HOLES IN THE FLOOR OF THE CABINET INSTEAD OF USING THE ACCESS PANEL THAT LIFTS OUT.
9	GROMMETS IN THE COUNTERTOP SHALL ALIGN WITH THE WIRE CHASE LEADING TO THE LOWER CABINETRY.
10	JUNCTION BOXES MUST NOT BLOCK THE WIRE CHASE LEADING TO THE LOWER CABINETRY.
<b>BACK WRAP</b>	
1	THE ELEVATION SHOWN INDICATES THE NEW POSITION OF THE SENSORMATIC QUAD RECEPTACLE BEHIND THE DRAWER. THIS DRAWER WILL BE REMOVED AND THIS SPACE WILL BE USED FOR THE SENSORMATIC POWER SUPPLY.
2	THE CUTOUPS FOR THE REMOVABLE SHELVES ARE TO BE INCREASED TO 3".
3	THE BACK BOXES IN THE WRAP WILL BE PROVIDED BY THE MILLWORK CONTRACTOR. THE GENERAL CONTRACTOR SHALL PROVIDE GREENFIELD WHIPS WITH POWER AND PULL STRING AS NOTED WOULD BE BEST STUBBED OUT AT FLOOR LINE FOR THE BACK WRAP WITH FINAL HOOK UP B.E.C.



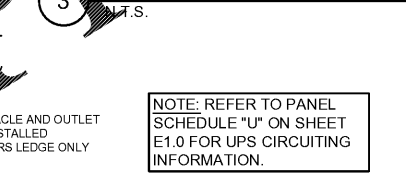
RECEIVING/MANGERS LEDGE ELEVATION



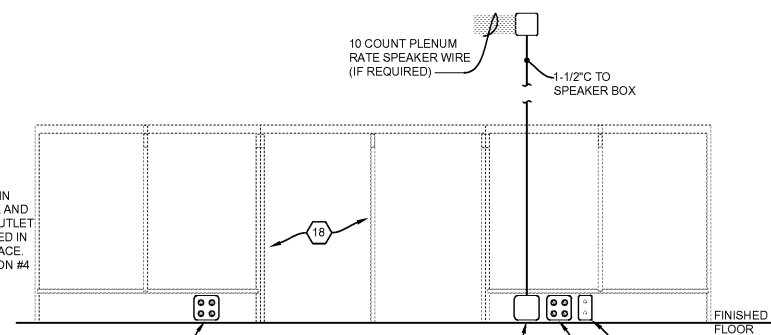
RECEIVING/MANGERS LEDGE PLAN VIEW

2 RECEIVING/MANGERS LEDGE DETAILS  
N.T.S.

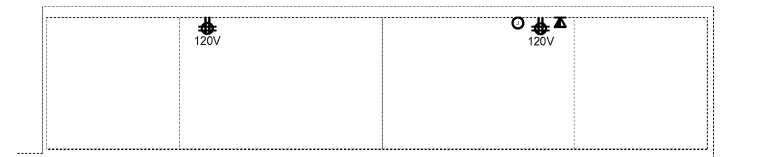
3 MOBILE WRAP ELEVATION  
N.T.S.



NOTE: REFER TO PANEL SCHEDULE "U" ON SHEET E1.0 FOR UPS CIRCUITING INFORMATION.



BACK WRAP ELEVATION



BACK WRAP PLAN VIEW

5 BACK WRAP DETAILS  
N.T.S.

NOTE: REFER TO CONFIGURATION SCHEDULE ABOVE FOR FURTHER CLARIFICATION.

- CODED NOTES**
- 20AMP QUAD RECEPTACLE TO SUB-PANEL "U".
  - NEMA L5-30R, TWIST LOCK, QUAD, 120V NON-FUSED SWITCH WITH (3)#10, 3/4"C. TO PANEL "P" AS INDICATED ON POWER PLAN.
  - 30x48x34 WALL MOUNTED SERVER CABINET BY TENANT VENDOR.
  - LOAD CENTER TYPE PANEL BOARD "U" SHALL BE A 120/240V, SINGLE PHASE, 30 AMP, MAIN LUG ONLY, 12 BREAKER SUB PANEL CONNECTED TO APC UPS.
  - TWO (2) QUAD RECEPTABLES MOUNTED BESIDE CABINET FOR TYCO ALARM. CIRCUIT AS INDICATED ON POWER PLAN.
  - 4x6x2 JUNCTION BOX FOR DATA LINES FROM MANAGER/RECEIVING LEDGE.
  - RECEPTABLES POWERED FROM SUB-PANEL "U" AS NOTED AND SHALL BE RED IN COLOR.
  - DATA AND DUPLEX RECEPTACLE ON WALL IN MANAGERS LEDGE AS NOTED ON POWER PLAN.
  - CIRCUITS FROM WALL MOUNTED RECEPTACLE AND DATA OUTLET.
  - 4x4 EMPTY JBOX WITH 1" HOLE DRILLED IN CENTER WITH 3/4"C. TO JBOX LOCATED IN CEILING. MEANT FOR FUTURE USE BY LOW VOLTAGE CONTRACTOR.
  - CONDUIT TO SERVER JUNCTION BOX.
  - DUPLEX RECEPTACLE POWERED FROM ELECTRICAL PANEL AS NOTED ON POWER PLANS ARE TO BE WHITE WITH WHITE COVERS.
  - COMMUNICATIONS PCS ADAPTER INSTALLED IN TOE SPACE AT EACH END OF CASH WRAP AND EITHER SIDE OF PORTABLE CASH WRAP, BY FIXTURE CONTRACTOR.  
MOCKETT PCS TREE #PCS24  
LOCATION #1 LABELED REG#1  
LOCATION #2 LABELED REG#2  
LOCATION #3 LABELED ON CABINET GREENFIELD WHIP REG 1-A  
LOCATION #4 LABELED ON CABINET GREENFIELD WHIP REG 2-A
  - LOW VOLTAGE DATA OUTLETS WITH 1-1/2" CONDUIT TO SERVER JBOX.
  - CIRCUIT RECEPTACLE AS SHOWN ON POWER PLAN.
  - ELECTRICAL CONTRACTOR TO FURBISH AND INSTALL A NEMA CONFIGURATION 1/4" THICK x 8" LONG COPPER GROUND BAR WITH 3/4" NEMA LUG SPACING, 5/8" DIAMETER HOLES WITH DOUBLE INSULATOR BRACKET STAND-OFF KIT. RUN #10 AWG COPPER GROUND CONDUCTOR FROM GROUND BAR TO ISOLATED GROUND IN PANEL "P" AND MAKE ALL FINAL CONNECTIONS.
  - RIGHT SIDE QUAD RECEPTACLE POWERED FROM SUB-PANEL "U".  
LOCATION #5 LABELED MANAGER  
LOCATION #6 LABELED RECEIVING
  - ALL ELECTRICAL COMPONENTS LOCATED IN THE CASHWRAP MILLWORK ARE DELIVERED SECURED TO MILLWORK IN THE PROPER POSITIONS WITH GREENFIELD WHIPS LABELED FOR FUNCTION TYPICALLY TO TOE SPACE. PROVIDE 5/8" GREENFIELD 60" INTO COUNTER FROM DELIVERING WALL AND CONNECT TO COMPONENTS IN CABINET.  
VENDOR TO INSTALL UPS UNIT AT THE BOTTOM SHELF IN THE DATA CABINET (1U).
  - 4" FIRE RETARDING PLYWOOD BACKBOARD.
  - SOUND AND MUSIC RECEPTACLE. COORDINATE AV REQUIREMENTS WITH AV CONTRACTOR PRIOR TO BID.
  - RECEPTACLE MOUNTED TO SIDE OF CASHWRAP IN THE LICK ADAPTER.
  - PROVIDE RECEPTACLE/DATA OUTLET WITH 60" WHIP.
  - RECEPTACLE TO BE POWERED BY CIRCUIT U-8. MOUNT RECEPTACLE AND DATA OUTLET TO COLUMN.

**KEVIN NISCH, AIA**

2110 Inkster Road  
Suite 200  
Southfield, MI 48034 USA  
248 355 0890  
248 355 0895 Fax

Copyright © 2017  
KEVIN NISCH, AIA  
All rights reserved

Certification:

04/06/2018

Consultants:  
**NETAL DESIGN CONSULTANT**

JDA no  
2110 Inkster Rd.  
Suite 200  
Southfield, MI 48034 USA  
248 355 0890  
248 355 0895 Fax  
www.netal.com

1-218-082

**M-Engineering**  
750 Broadridge Blvd  
Westerville, Ohio 43081  
phone: 614.839.4639  
fax: 614.839.2222  
www.m-engineering.us.com

Project Location:  
**Soft Surroundings**  
BILTMORE VILLAGE  
10 BROOK STREET  
SPACE #60  
ASHEVILLE, NC 28803  
4,740 SQUARE FEET

DRAWINGS ISSUED FOR:

- programming
- schematic des.
- design dev.
- bidding
- permit/UL review 04-06-18
- construction

REVISIONS:

Prj. no. 184107031  
Drawn PFM  
Checked RK  
Approved RK

Do not scale this print. Use figured dimensions only.

Drawing title:  
**ELECTRICAL & SYSTEMS ELEVATIONS**

Sheet no.  
**E1.5**