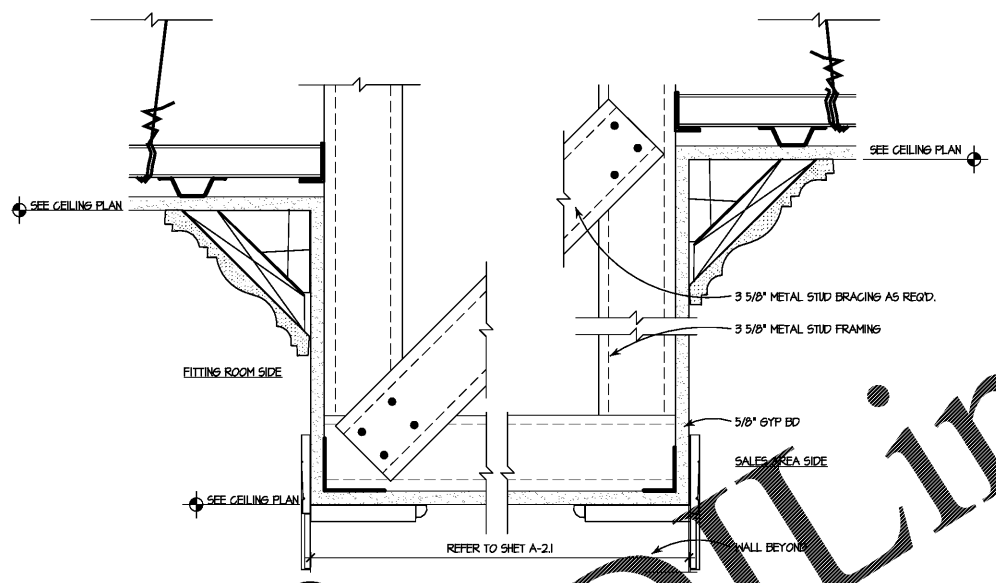
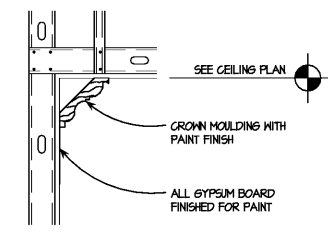


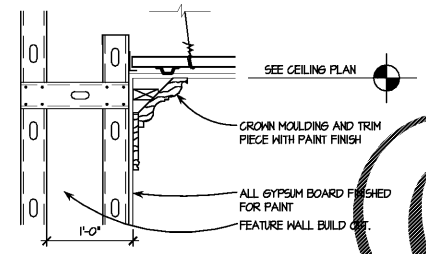
8 DISPLAY WINDOW CEILING BATTENS  
A-2.1 SCALE: 1 1/2" = 1'-0"



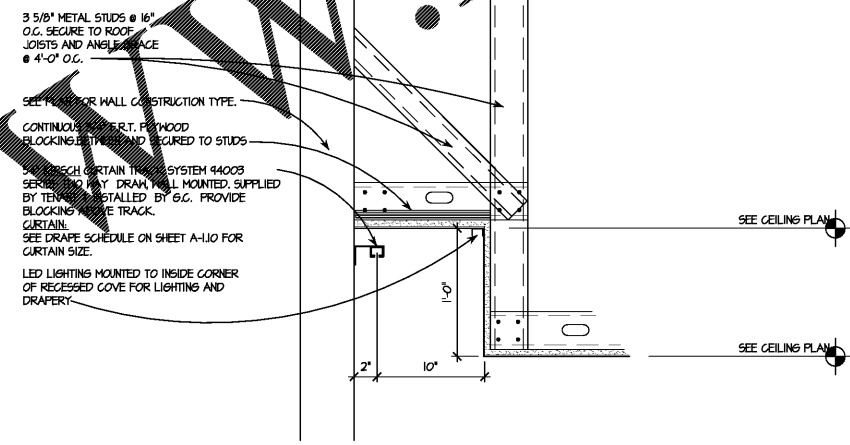
7 WALL HEADER AT FITTING ROOMS  
A-2.1 SCALE: 3" = 1'-0"



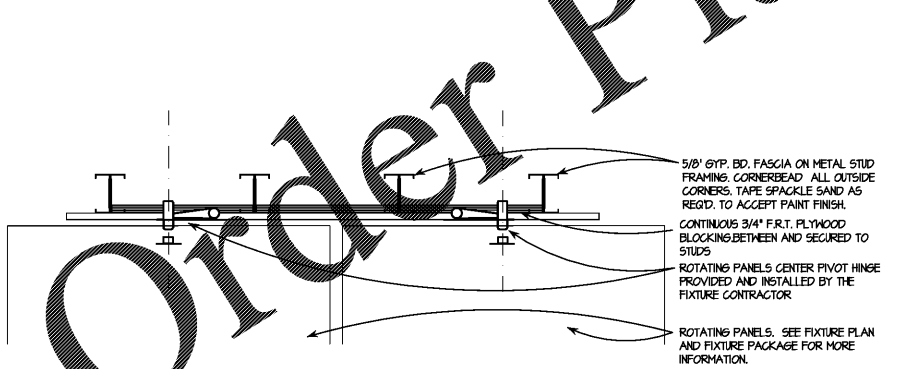
4 CROWN MOLDING W/OUT FRIEZE  
A-2.1 SCALE: 1" = 1'-0"



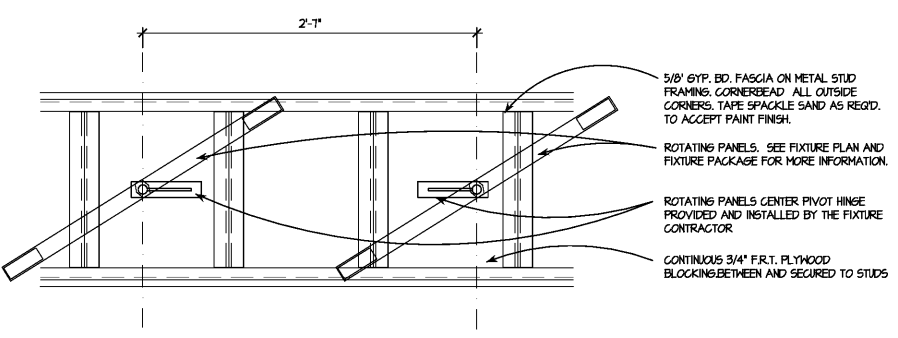
5 CEILING CROWN SECTION AT FEATURE WALL  
A-2.1 SCALE: 1" = 1'-0"



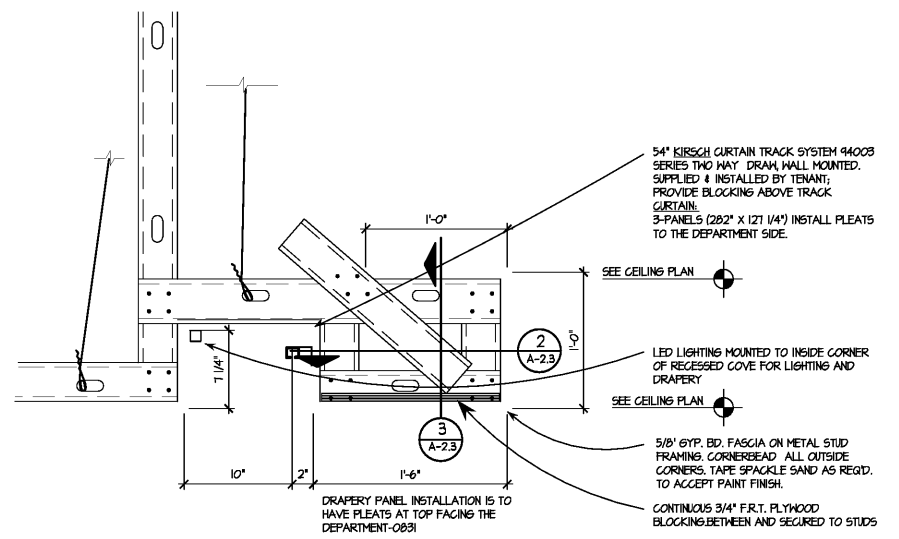
6 CURTAIN/DRAPE TRACK AND LGT COVE AT WALL  
A-2.1 SCALE: 1/2" = 1'-0"



3 VERTICAL SECTION THRU RETREAT AREA ROTATING PANELS  
A-2.3 SCALE: 1 1/2" = 1'-0"



2 PLAN SECTION THRU RETREAT AREA ROTATING PANELS  
A-2.3 SCALE: 1 1/2" = 1'-0"



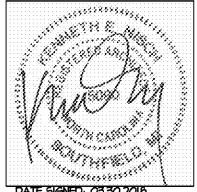
1 SECTION THRU LIGHT COVE AT RETREAT AREA  
A-2.1 SCALE: 1 1/2" = 1'-0"

KEN NISCH, AIA

9110 Inkster Road  
Suite 200  
Southfield, MI 48034 USA  
248.355.0890  
248.355.0895 Fax

Copyright © 2014  
KEN NISCH, AIA  
All rights reserved

Certification:  
KENNETH E. NISCH, AIA  
No. 5090  
EXPIRATION DATE: 06.30.2016



DATE SIGNED: 03.30.2016

Consultants:

RETAIL DESIGN CONSULTANT  
JGA INC  
29355 Northwestern Hwy  
Suite 308  
Southfield, MI 48034 USA  
248.355.0890  
248.355.0895 Fax  
www.jga.com

JGA Prj #: 1-218-082

Project Location:  
Soft Surroundings  
BALTIMORE VILLAGE, SPACE #160  
10 BROOK STREET  
ASHEVILLE, TN 28803

DRAWINGS ISSUED FOR:  
 programming  
 schematic des.  
 design dev.  
 bidding  
 permits/11 review 04-06-16  
 construction

REVISIONS:

Prj. no. 8-218-030  
Drawn IN, GV  
Checked KR, GV  
Approved KN

Do not scale this print. Use figured dimensions only.  
Drawing title:  
REFLECTED CEILING DETAILS

Sheet no.  
A-2.3