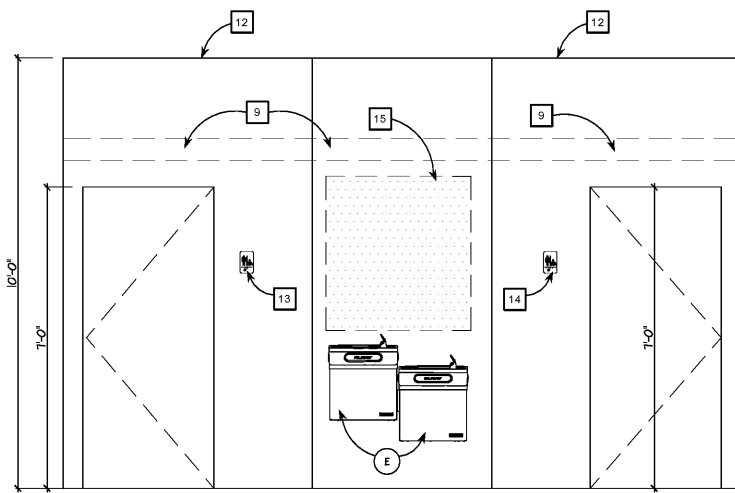
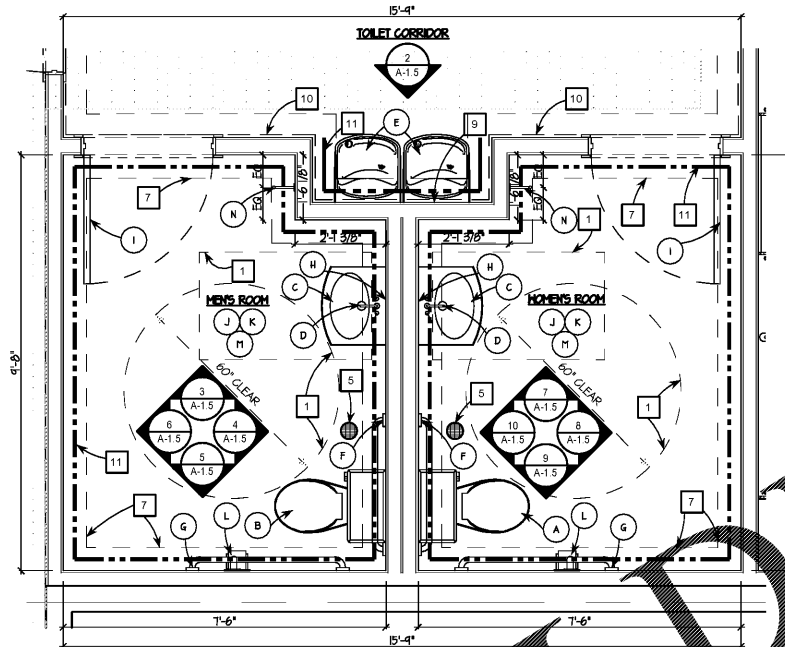


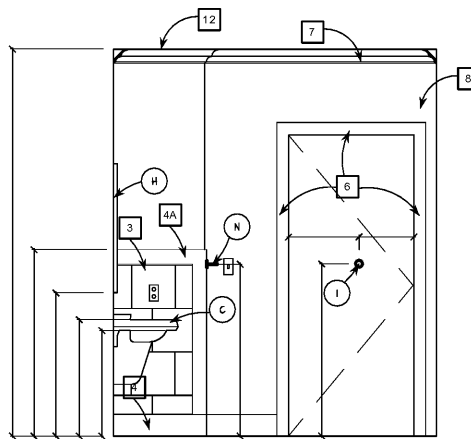
3 MENS RESTROOM ELEVATION
A-1.5 SCALE: 1/2" = 1'-0"



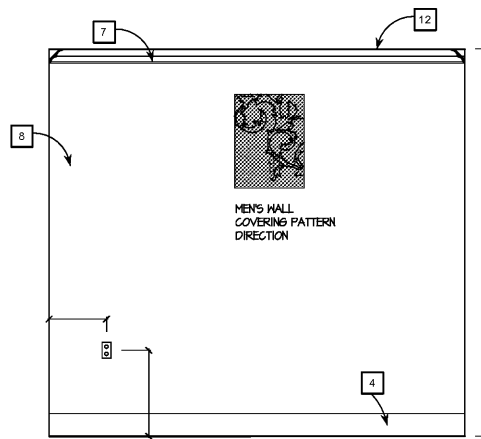
2 TOILET CORRIDOR ELEVATION
A-1.5 SCALE: 1/2" = 1'-0"



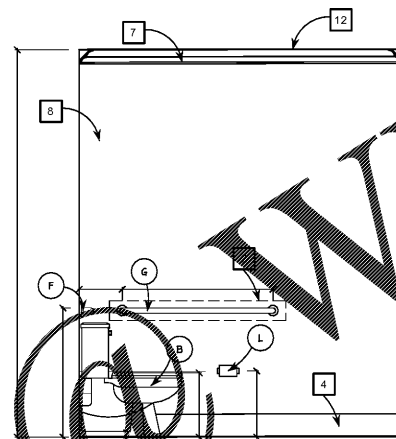
1 ENLARGED RESTROOM PLAN
A-1.1 SCALE: 1/2" = 1'-0"



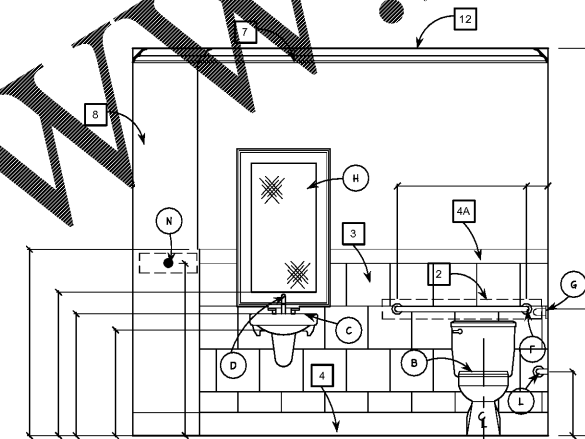
7 WOMENS RESTROOM ELEVATION
A-1.5 SCALE: 1/2" = 1'-0"



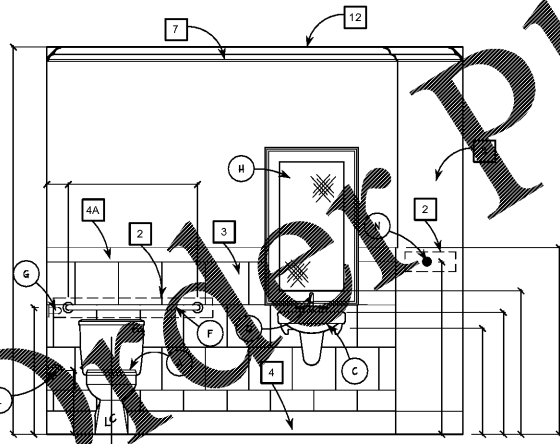
6 MENS RESTROOM ELEVATION
A-1.5 SCALE: 1/2" = 1'-0"



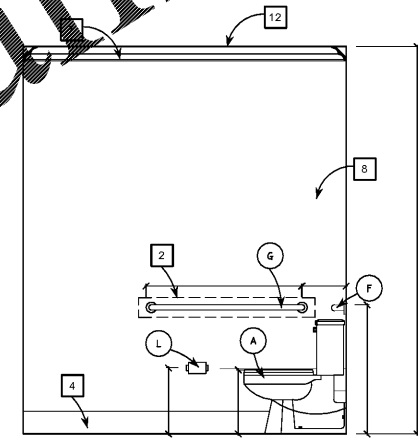
5 MENS RESTROOM ELEVATION
A-1.5 SCALE: 1/4" = 1'-0"



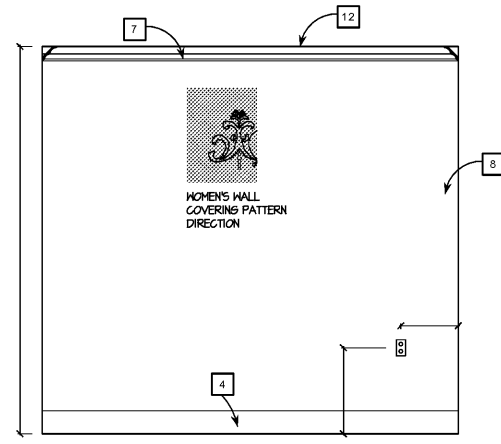
4 MENS RESTROOM ELEVATION
A-1.5 SCALE: 1/2" = 1'-0"



10 WOMENS RESTROOM ELEVATION
A-1.5 SCALE: 1/2" = 1'-0"



9 WOMENS RESTROOM ELEVATION
A-1.5 SCALE: 1/2" = 1'-0"



8 WOMENS RESTROOM ELEVATION
A-1.5 SCALE: 1/2" = 1'-0"

TOILET ROOM GENERAL NOTES:

- A. NO OTHER MANUFACTURER SUBSTITUTIONS SHALL BE ALLOWED WITHOUT PRIOR WRITTEN APPROVAL FROM THE ENGINEER FIVE (5) DAYS BEFORE BIDDING.
 - FIXTURES: KOHLER UNLESS OTHERWISE NOTED.
 - FITTINGS: ELER, AMERICAN STANDARD, KOHLER, DELTA
- B. ALL PLUMBING FIXTURES SHALL BE WATER SAVING TYPE IN ACCORDANCE W/ CITY GOVERNING ADOPTED CODES AND REGULATIONS.
- C. ALL FIXTURES SHALL BE MOUNTED RIGID TO WALLS AND/OR FLOORS.
- D. CONTRACTOR SHALL SUBSTITUTE MODELS FOR LOW FLUSH WATER CLOSETS ONLY AS REQD. BY LOCAL AND STATE CODES.
- E. WATER CLOSET TO BE PROVIDED W/ OSCILLATING FLUSH CONTROL HANDLE. OPERATING FORCE NOT GREATER THAN 5 LB. FORCE AND WITHOUT EXCESSIVE BODY MOVEMENT.
- F. WATER CLOSET FLUSH VALVE TO BE MOUNTED ON THE MIDE SIDE OF THE TOILET AREA.
- G. TOILET SEATS: ARE TO BE CHURCH, OLSONITE, BENEKE OR BENIS.
- H. CONTRACTOR SHALL PROVIDE OUTLET DEVICES WHICH LIMIT THE FLOW OF WATER TO LAVATORY TO A MAX. OF 25 GALLON PER METERING CYCLE, SINKS TO A MAX. OF 2.2 GPM AT 120 PSI AS REQD BY LOCAL CODE.
- I. LAVATORY PROVIDED NEW FAUCET CONTROL OPERABLE WITH ONE HAND AND NOT REQUIRING GRASPING, PINCHING OR TWISTING.
- J. LAVATORY PROVIDED WITH NO ABRASIVE SURFACES THEREUNDER.
- K. ALL TOILET ACCESSORIES ARE TO BE INSTALLED WITH REGARD TO LOCAL GOVERNING ACCESSIBILITY CODE.
- L. GRAB BARS TO HAVE A 1 1/2" DIA. X 1/4" CROSS SECTION MTD 36" A.F.F. PROVIDE 1/2" CLEARANCE BETWEEN BAR AND WALL AND MOUNTED TO WITHSTAND A FORCE OF 300 LBS.
- M. ALL TOILET ROOM ACCESSORIES SUCH AS TONEL DISPENSER AND TOILET TISSUE DISPENSER SHALL BE MOUNTED SO THAT THE CENTER OF THE DISPENSING ORIFICE OR CONTROL IS NOT HIGHER THAN 40" A.F.F.
- N. PROVIDE RESTROOM DOOR SIGNAGE. MOUNT SIGN @ MIN. OF 5'-0" A.F.F. AND MAX. OF 8'-0" A.F.F. @ 45° TO INSTALL FLOOR TILE IN BATHROOM AT 45° ANGLE TO WALLS.
- O. TYPICALLY, GC TO CONFIRM ORIENTATION / DIRECTION OF PATTERN WITH ARCHITECT PRIOR TO INSTALLATION.

RESTROOM KEY NOTES:

- 1 OUTLINE OF REQUIRED CLEAR SPACE PER ADA REGULATIONS
- 2 OUTLINE OF IN WALL BLOCKING FOR THE MOUNTING OF RESTROOM FIXTURES AND ACCESSORIES. NOT LIMITED TO WHAT'S SHOWN.
- 3 HALL TO RECEIVE PT-3 TILE ON FACE OF WALL UP TO 52" A.F.F.. SEE DECOR PLAN FOR SPEC INFORMATION.
- 4 WALL BASE: PT-3 CUT TO 6" H. APPLIED TO WALL.
- 4A CHAIN RAIL CAP- ON EDGE OF PARTITION FROM CAP TO FLOOR.
- 5 NEW TOILET ROOM FLOOR DRAIN. GENERAL CONTRACTOR IS TO VERIFY THAT DRAIN WORKS PROPERLY.
- 6 HOOD TRIM ON METAL DOOR FRAME. REFER TO 1 ON SHEET A-1.2.
- 7 PRE-FINISHED PERIMETER CROWN MOLDING IN TOILET ROOM AND CORRIDOR PROVIDED AND INSTALLED BY MILLWORK CONTRACTOR.
- 8 WALL COVERING FOR TOILET ROOMS INSTALLED BY TENANTS GENERAL CONTRACTOR.
- 9 GC TO INSTALL IN WALL FRT BLOCKING ON END OF PARTITION FOR SECUREMENT OF FIXTURE HARDWARE. HARDWARE INDICATED BY FIXTURE ELEVATIONS. BLOCKING FROM FLOOR TO CEILING.
- 10 PICTURE HANGING RAIL AS SHOWN BY MILLWORKER. TOP OF HANGING RAIL TO BE MOUNTED AT 8'-0" A.F.F. PAINT P-1.
- 11 WATERPROOF MEMBRANE TO EXTEND UP TO 6" ON ALL ADJACENT WALLS.
- 12 5/8" GYPSUM WALL BOARD SUSPENDED ON 1/8" HAT TRACK SECURED TO COLD ROLLED CHANNELS 48" ON CENTER (OR USE DRYWALL SUSPENSION SYSTEM OR EQUAL) SECURED FROM TOP CHORD OF BR JOISTS ABOVE FRAME DETAILS AS SHOWN OR AS REQUIRED, CLARIFY IN BID CLARIFICATIONS.
- 13 WOMENS TACTILE A.D.A. RESTROOM SIGNAGE WITH BRAILLE. SIGN TO BE MINIMUM 6" HIGH. REFER TO DETAIL #3 ON SHEET A-1.2 FOR MORE INFORMATION. SIGN TO BE MOUNTED 60" A.F.F. ON LATCH SIDE OF DOOR.
- 14 MENS TACTILE A.D.A. RESTROOM SIGNAGE WITH BRAILLE. SIGN TO BE MINIMUM 6" HIGH. REFER TO DETAIL #3 ON SHEET A-1.2 FOR MORE INFORMATION. SIGN TO BE MOUNTED 60" A.F.F. ON LATCH SIDE OF DOOR.
- 15 REFERENCE FIXTURE DRAWING MILLWORK PACKAGE FOR DIRECTION OF ALL AREAS REQUIRING IN WALL FRT BLOCKING FOR WALL APPLIED HOLDINGS AND ACCESSORIES

TOILET ROOM FIXTURE SCHEDULE:

ID. NO.	DESCRIPTION	MANUFACTURER	MODEL NUMBER	LOCATION / NOTE:
A	TOILET	KOHLER	K-3474-RA-4T - ALMOND - HIGHLINE RIGHT HAND TRIP LEVER	WOMENS LAVATORY
B	TOILET	KOHLER	K-3474-L-4T - ALMOND - HIGHLINE LEFT HAND TRIP LEVER	MENS LAVATORY
C	SINK	KOHLER	K-2035-L-4T - ALMOND - FINISH SINK - SINK SPEC COMES WITH SHROUD	1 PER LAVATORY. THE K-2035 PACKAGE CONSISTS OF KOHLER'S K-2028-L-4T BASIN AND K-2051-4T SHROUD.
D	SINK FAUCET	KOHLER	K-10574-4-BN - VIBRANT BRUSHED NICKEL FINISH	1 PER LAVATORY
E	ADA COMPLIANT SPLIT LEVEL ELECTRIC WATER COOLER	ELKAY	#E25TL&C, TWO LEVEL ACCESS WATER COOLER	CORRIDOR NEAR LAVATORY

TOILET ROOM ACCESSORY SCHEDULE:

ID. NO.	DESCRIPTION	MANUFACTURER	MODEL NUMBER	LOCATION
F	36" GRAB BARS @ REAR	BOBRICK	#B-5806 X 36	1 PER ADA COMPLIANT LAVATORY ON BACK WALL OF WATER CLOSET. GC TO PROVIDE F.R.T. BLOCKING
G	42" GRAB BARS @ SIDE	BOBRICK	#B-5806 X 42	1 PER ADA COMPLIANT LAVATORY AT SIDE WALL. GC TO PROVIDE F.R.T. BLOCKING
H	PLATE GLASS MIRROR IN STAINLESS STEEL FRAME	F.G.	PROVIDED BY OWNER, INSTALLED BY F.G.	1 PER LAVATORY
I	GOAT HOOKS	F.G.	MEDALLION TYPE BY F.G.	1 PER LAVATORY, MOUNT AT 48" A.F.F.
J	SOAP DISPENSER	-	FURNISHED BY TENANT	1 PER LAVATORY, T.B.D. ON SITE. MOUNT 50 CENTER LINE OF DISPENSING ORIFICE IS NO HIGHER THAN 40" A.F.F.
K	PAPER TONEL DISPENSER, ROLL TYPE	-	FURNISHED BY TENANT, INSTALLED BY GC.	1 PER LAVATORY, T.B.D. ON SITE. MOUNT AT 40" A.F.F.
L	TOILET TISSUE DISPENSER	KOHLER	K-11415 - VIBRANT BRUSHED NICKEL FINISH	CENTER LINE OF DISPENSER TO BE MOUNTED (1'-4") IN FRONT OF WATER CLOSET @ (14"-18") A.F.F.
M	GARBAGE CAN	-	FURNISHED BY TENANT, INSTALLED BY GC.	1 PER LAVATORY - TBD ON SITE
N	PURSE HOOKS	F.G.	-	1 PER LAVATORY, MOUNT AT 48" A.F.F.

KEN NISCH, AIA

110 Inkster Road
Suite 200
Southfield, MI 48034 USA
248.355.0890
248.355.0895 Fax

Copyright © 2014
KEN NISCH, AIA
All rights reserved

Certification:
KENNETH E. NISCH, AIA
No. 5090
EXPIRATION DATE: 06.30.2016



DATE SIGNED: 08.30.2016

Consultants:
RETAL DESIGN CONSULTANT

JGA INC
29355 Northwestern Hwy
Suite 300
Southfield, MI 48034 USA
248.355.0895
248.355.0895 Fax
www.jga.com

JGA Prj #: 1-218-082

Project Location:
Soft Surroundings
BILTMORE VILLAGE, SPACE #160
10 BROOK STREET
ASHEVILLE, TN 28803

DRAWINGS ISSUED FOR:
 programming
 schematic des.
 design dev.
 bidding
 permit/LL review 04-06-18
 construction

REVISIONS:

Prj. no. **8-218-030**
Drawn IN, GV
Checked KR, GV
Approved KN

Do not scale this print. Use figured dimensions only.

Drawing title:
ENLARGED REST ROOMS & ELEVATION

Sheet no.
A-1.5