

2535 Inkster  
 Suite 300  
 Southfield, MI 48034 USA  
 248 355 0890  
 248 355 0895 Fax

Copyright © 2014  
 KEN NISCH, AIA  
 All rights reserved

Certification: KENNETH E. NISCH, AIA  
 No. 5040  
 EXPIRATION DATE: 06/30/2016



DATE SIGNED: 09/30/2016

Consultants:  
**RETAIL DESIGN CONSULTANT**  
**JGA inc**  
 2355 Northwestern Hwy  
 Suite 300  
 Southfield, MI 48034 USA  
 248 355 0890  
 248 355 0895 Fax  
 www.jga.com

JGA Prj #: 1-218-082

Project Location:  
**Soft Surroundings**  
**BILTMORE VILLAGE, SPACE #160**  
 10 BROOK STREET  
 ASHEVILLE, TN 28803

DRAWINGS ISSUED FOR:  
 programming  
 schematic des.  
 design dev.  
 bidding  
 permits/LL review 04-06-16  
 construction  
 to landlord

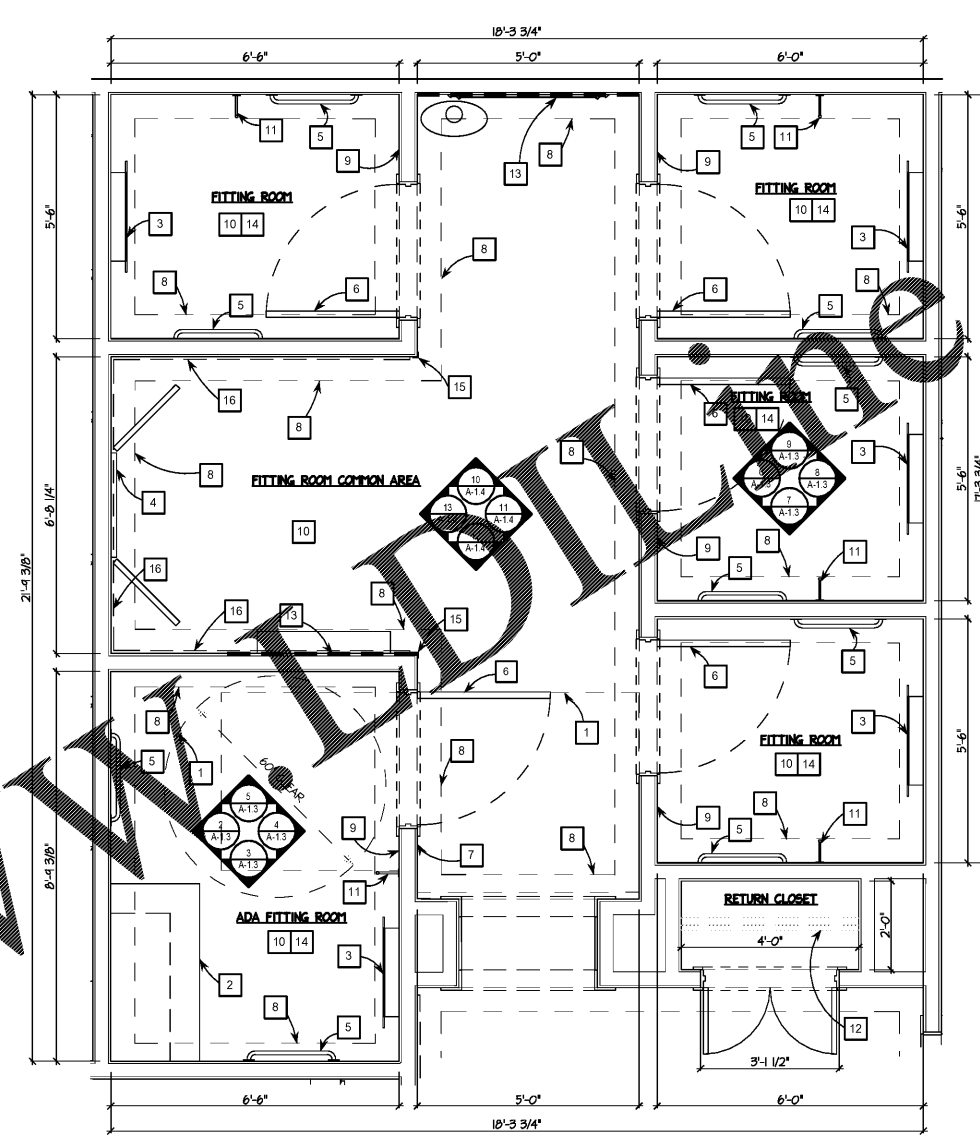
REVISIONS:

Prj. no. 8-218-030  
 Drawn IN, GV  
 Checked KR, GV  
 Approved KN

Do not scale this print. Use figured dimensions only.

Drawing title:  
**ENLARGED FITTING ROOMS & ELEVATION**

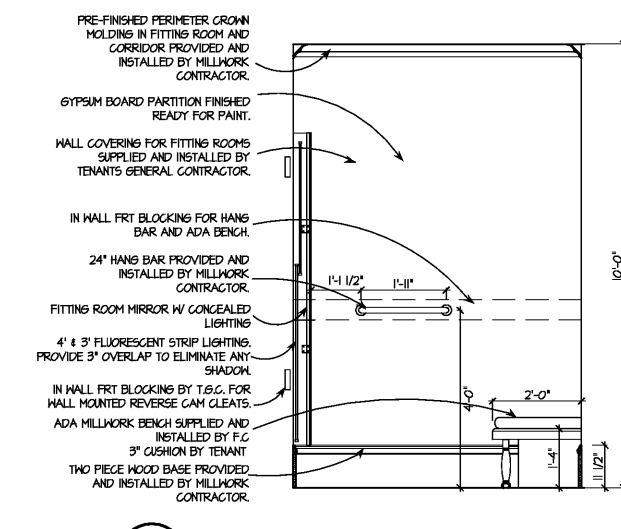
Sheet no.  
**A-1.3**



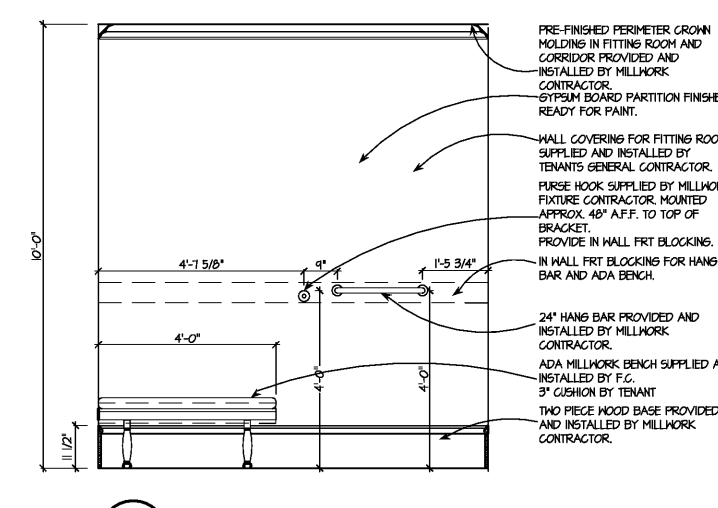
1 ENLARGED FITTING ROOM PLAN  
 A-1.3 SCALE: 1/2" = 1'-0"

**FITTING ROOM KEY NOTES:**

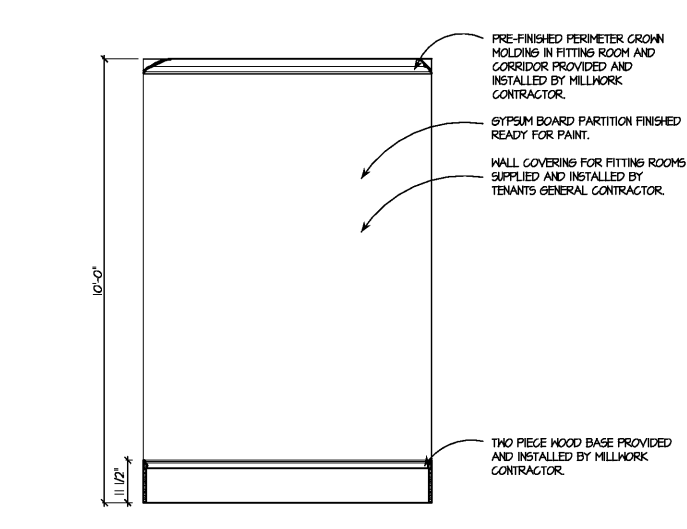
- 1 OUTLINE OF REQUIRED CLEAR SPACE PER ADA REGULATIONS
- 2 FRB-LI - ADA FITTING ROOM BENCH - PROVIDED BY F.C.
- 3 MIR-B - WALL MOUNTED ILLUMINATED FITTING ROOM MIRROR - PROVIDED BY F.C.
- 4 FITTING ROOM 3 WAY MIRROR, PROVIDED BY F.C. CENTERED ON WALL. VERIFY BLOCKING REQUIREMENTS WITH SHOP DRAWINGS
- 5 HALL MOUNTED HANG BAR, MOUNTED AT 48" A.F.F. IN ADA FITTING ROOM. MOUNTED AT 60" A.F.F. IN NON ADA FITTING ROOM
- 6 CUSTOM FITTING ROOM DOOR, PROVIDED BY F.C. SEE DOOR SCHEDULE FOR HARDWARE
- 7 HALL MOUNTED ADA SIGN MOUNTED 36" A.F.F. SEE SHEET 3/A-1.2
- 8 LINE OF PRE-FINISHED PERIMETER CROWN MOLDING IN FITTING ROOMS AND CORRIDOR PROVIDED AND INSTALLED BY MILLHORK CONTRACTOR.
- 9 ASSISTANCE CALL BUTTON. REFER TO ELECTRICAL PLANS FOR INFORMATION.
- 10 ALL IN WALL BLOCKING REQUIRED FOR FITTING ROOM HARDWARE BY THE GENERAL CONTRACTOR TO BE FRT 2X6 OR 3/4" FRT BETWEEN STUDS AS REQUIRED.
- 11 FITTING ROOM PURSE HOOK TO BE PROVIDED BY MILLHORK CONTRACTOR.
- 12 RETURN CLOSET HANG ROD AND SUPPORTS CONSIST OF TWO SIDE MOUNTED RETAINING CUPS AND A 1-5/16TH DIAMETER HANG ROD SIMILAR OR EQUAL TO CAPITOL #241-2, 244-2, AND ROD #646-2. IF SPEC IS NOT USED, SUBMIT ALTERNATE CUT SHEETS FOR APPROVAL PRIOR TO INSTALLATION. CENTERLINE OF CUPS ON SIDE WALL AT 65"
- 13 3/4" FRT PLYWOOD IN-WALL BLOCKING FROM FLOOR TO THE T-0" A.F.F.
- 14 DOOR STOP SPECIFIED TO BE INSTALLED ON THE LEVER PORTION OF HANDLE ON THE HINGE SIDE OF THE DOOR. DO NOT ALIGN WITH PRIVACY BUTTON.
- 15 CORNER GUARD
- 16 PICTURE HANGING RAIL AS SHOWN BY MILLHORKER. TOP OF HANGING RAIL TO BE MOUNTED AT 6'-0" AFF. PAINT P-L.



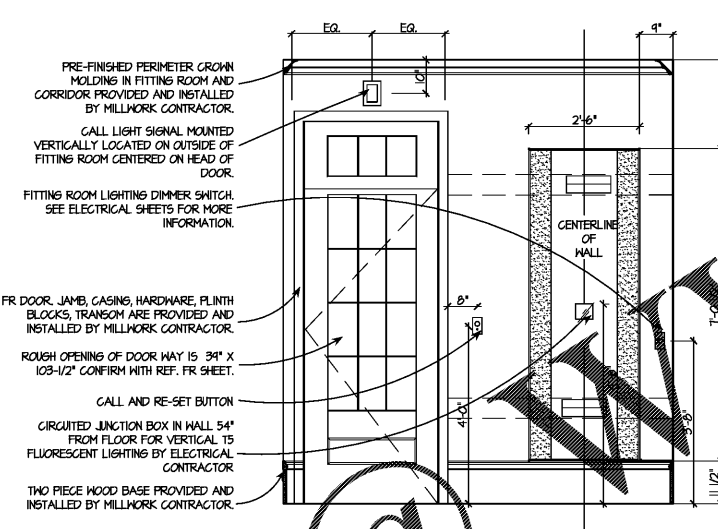
3 INTERIOR ACCESSIBLE FITTING ROOM ELEVATION  
 A-1.3 SCALE: 1/2" = 1'-0"



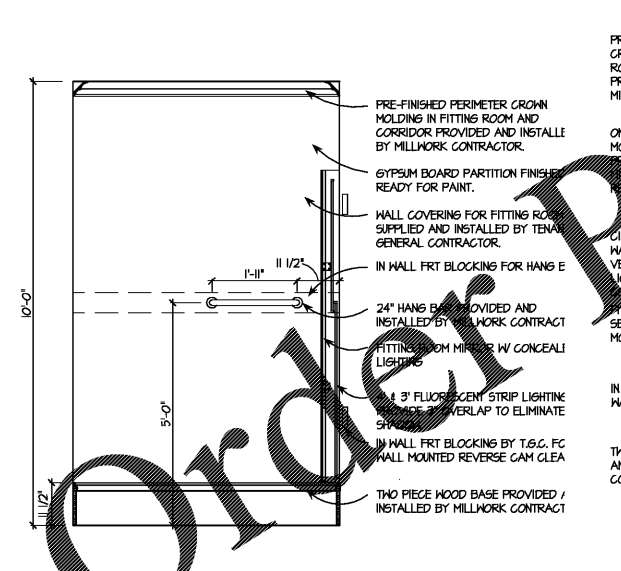
2 INTERIOR ACCESSIBLE FITTING ROOM ELEVATION  
 A-1.3 SCALE: 1/2" = 1'-0"



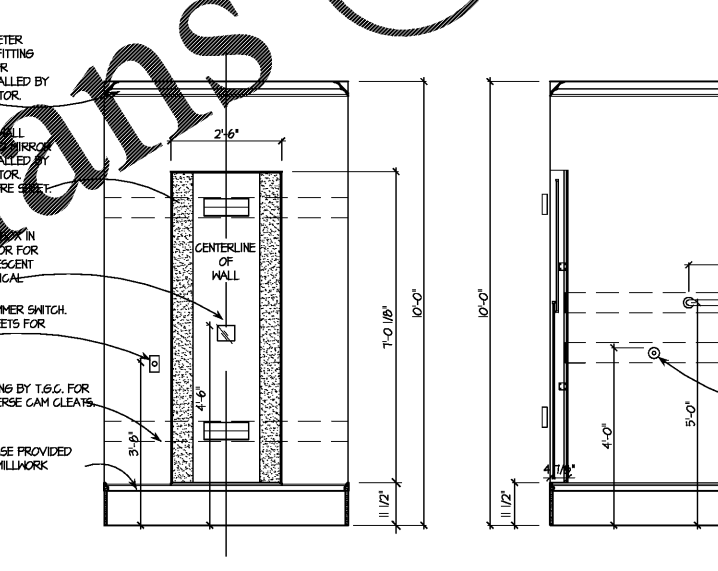
5 INTERIOR ACCESSIBLE FITTING ROOM ELEVATION  
 A-1.3 SCALE: 1/2" = 1'-0"



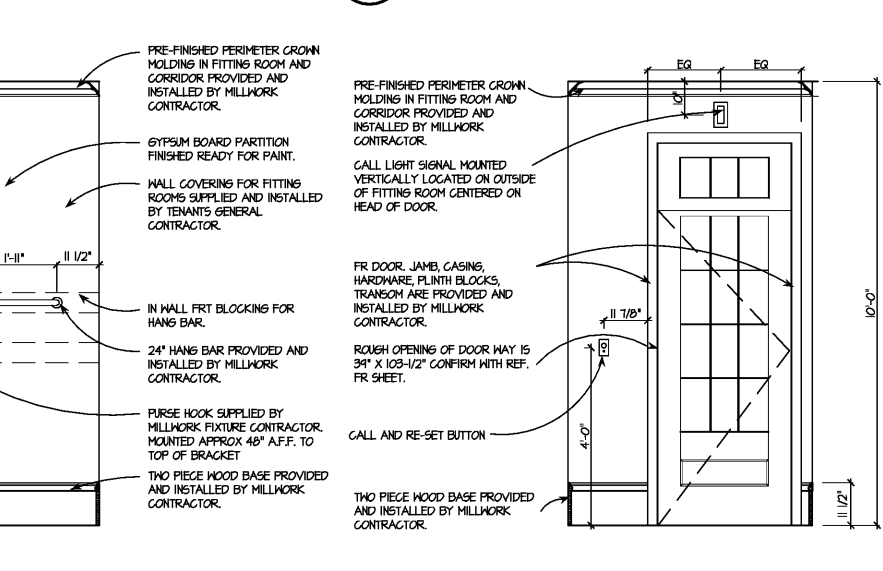
4 INTERIOR ACCESSIBLE FITTING ROOM ELEVATION  
 A-1.3 SCALE: 1/2" = 1'-0"



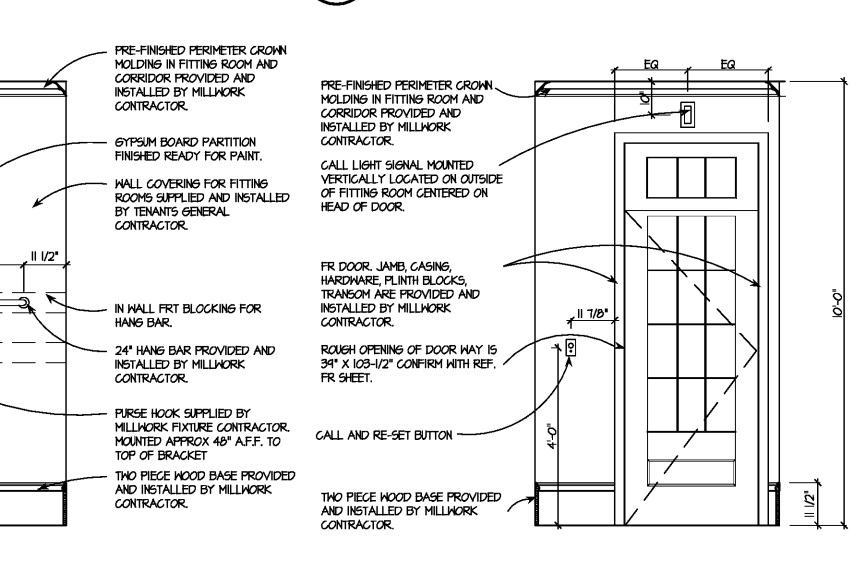
9 INTERIOR FITTING ROOM ELEVATION  
 A-1.3 SCALE: 1/2" = 1'-0"



8 INTERIOR FITTING ROOM ELEVATION  
 A-1.3 SCALE: 1/2" = 1'-0"



7 INTERIOR FITTING ROOM ELEVATION  
 A-1.3 SCALE: 1/2" = 1'-0"



6 INTERIOR FITTING ROOM ELEVATION  
 A-1.3 SCALE: 1/2" = 1'-0"