



Project Location:
Soft Surroundings
BILTMORE VILLAGE
10 BROOK STREET
SPACE #160
ASHEVILLE, TN 28803
4,740 SQUARE FEET

DRAWINGS ISSUED FOR:
 programming
 schematic des.
 design dev.
 bidding
 permit/LL review 04-06-18
 construction

REVISIONS: 04-20-18

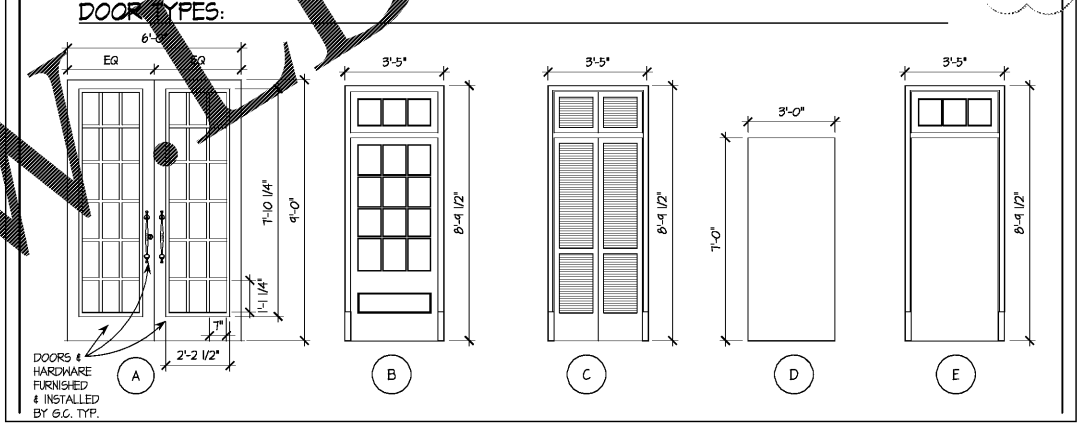
Prj. no. 8-218-030
Drawn RM - GV
Checked KR - GV
Approved KN

Do not scale this print. Use figured dimensions only.

Drawing title:
DOOR SCHEDULE AND DETAILS

Sheet no.
A-1.2

DOOR SCHEDULE											
DOOR NO.	DOOR	FINISH	ELEV TYPE	MATERIAL	FRAME	DETAILS		HARDWARE GROUP	REMARKS		
						HEAD	JAMB		REMARKS	REMARKS	
GC100	MAIN ENTRY DOORS DRL (2) 3'-0" x 7'-0" x 1-3/4" VERIFY OPG. SIZE IN FIELD	DARK BRONZE ALUMINUM GLASS	A	DARK BRONZE ALUMINUM GLASS	DARK BRONZE ALUMINUM (EXIST'G V.I.F.)	EXIST'G REFER TO STOREFRONT DWGS.	EXIST'G REFER TO STOREFRONT DWGS.	7	NEW DARK BRONZE METAL FINISH MONUMENTAL EXTERIOR DOORS SPEC. FINISH REPRESENTATIVE MATERIALS. SEE SCHEDULE GROUP WITH REFERENCED HARDWARE. SEE SCHEDULE GROUP FOR FULL SCHEDULE ELEVATION DOORS AND HARDWARE FINISHES AND INSTALLED BY G.C.		
FC101	FITTING ROOM DOOR R.O. 41" X 105-1/2"	PTD	B	CUSTOM	PTD	POPLAR WOOD	BY F.C.	BY F.C.	6		
FC102	FITTING ROOM DOOR R.O. 41" X 105-1/2"	PTD	B	CUSTOM	PTD	POPLAR WOOD	BY F.C.	BY F.C.	6		
FC103	FITTING ROOM DOOR R.O. 41" X 105-1/2"	PTD	B	CUSTOM	PTD	POPLAR WOOD	BY F.C.	BY F.C.	6		
FC104	FITTING ROOM DOOR R.O. 41" X 105-1/2"	PTD	B	CUSTOM	PTD	POPLAR WOOD	BY F.C.	BY F.C.	6	TENANT VENDOR WILL PROVIDE FITTING ROOM DOORS AND HARDWARE.	
FC105	FITTING ROOM DOOR R.O. 41" X 105-1/2"	PTD	B	CUSTOM	PTD	POPLAR WOOD	BY F.C.	BY F.C.	6		
FC106	PR.FTRM RETURN CLOSET R.O. 41" X 105-1/2"	PTD	C	CUSTOM	PTD	POPLAR WOOD	BY F.C.	BY F.C.	2	TWO DOORS. REFER TO PLANS FOR SIZE.	
GC107	STOCK ROOM CORRIDOR 3'-0" x 7'-0" x 1-3/4"	PAINTED	D	HOLLOW MTL	PTD	HOLLOW MTL	1 A-1.2	1 A-1.2	5	WOOD TRIM PROVIDED AND INSTALLED BY MILLHORK CONTRACTOR.	
GC108	SERVICE CORRIDOR 3'-0" x 7'-0" x 1-3/4"	PAINTED	D	HOLLOW MTL	PTD	HOLLOW MTL	1 A-1.2	1 A-1.2	5	WOOD TRIM PROVIDED AND INSTALLED BY MILLHORK CONTRACTOR.	
GC109	MANAGERS OFFICE 3'-0" x 7'-0" x 1-3/4"	PAINTED	D	HOLLOW MTL	PTD	HOLLOW MTL	1 A-1.2	1 A-1.2	5	WOOD TRIM PROVIDED AND INSTALLED BY MILLHORK CONTRACTOR.	
GC110	MENS ROOM 3'-0" x 7'-0" x 1-3/4"	PAINTED	D	HOLLOW MTL	PTD	HOLLOW MTL	1 A-1.2	1 A-1.2	5	WOOD TRIM PROVIDED AND INSTALLED BY MILLHORK CONTRACTOR.	
GC111	WOMENS ROOM 3'-0" x 7'-0" x 1-3/4"	PAINTED	D	HOLLOW MTL	PTD	HOLLOW MTL	1 A-1.2	1 A-1.2	5	WOOD TRIM PROVIDED AND INSTALLED BY MILLHORK CONTRACTOR.	
FC112	CASED ARCH R.O. 41" X 105-1/2"	PTD	N/A	N/A	PTD	POPLAR WOOD	REFERENCE FIXTURE PKG	REFERENCE FIXTURE PKG	N/A	SITTING ROOM --	
FC113	CASED ARCH R.O. 41" X 105-1/2"	PTD	N/A	N/A	PTD	POPLAR WOOD	REFERENCE FIXTURE PKG	REFERENCE FIXTURE PKG	N/A	TOILET ROOM CORRIDOR	
FC114	CASED ARCH R.O. 41" X 105-1/2"	PTD	N/A	N/A	PTD	POPLAR WOOD	REFERENCE FIXTURE PKG	REFERENCE FIXTURE PKG	N/A	FITTING ROOM CORRIDOR	
GC115	EXIST'G RECEIVING DOOR 3'-0" x 7'-0" x 1-3/4"	PAINTED	D	HOLLOW MTL	PTD	HOLLOW MTL (EXIST'G)	EXIST'G	EXIST'G	5	EXISTING 1-HOUR RATED DOOR WITH NEW HARDWARE GROUP 5 BY G.C.	

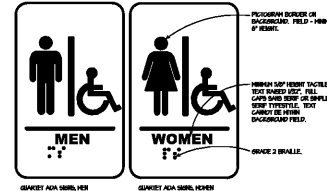


- SET 1: MANAGERS DOOR HARDWARE**
- 1-1/2 PR. NRP HINGES - (STANLEY - FEB174 - US 26 D)
 - SCHLAGE SERIES "D" PASSAGE SET WITH ATHENS LEVER AND ROSE US26D FINISH KNURLED HANDLE
 - WALL MOUNTED DOOR STOP IVES #MS406CVX SATIN ALUMINUM
 - DOOR CLOSER - LGN 4011 OR EQUAL ADA COMPLIANT AND ADJUSTED FOR COMPLIANCE. INSTALLED ON FULL SIDE OF THE DOOR
 - DOOR SILENCERS BY "IVES" #SR64 STOP MOUNTED
 - 12" HIGH SALES SIDE SATIN SS KICK PLATE
- SET 2: RETURN CLOSET**
- 1-1/2 PR. HINGES - BY DOOR MANUFACTURER-FINISH TO MATCH DOORS
 - HEAD MOUNTED BULLET CATCH BY FIXTURE CONTRACTOR US26D FINISH
 - 1-1/4" NICKEL FINISH BY FIXTURE CONTRACTOR
- SET 3: STOCK ROOM DOOR HARDWARE**
- 1-1/2 PR. NRP HINGES - (STANLEY - FEB174 - US 26 D)
 - SCHLAGE SERIES "D" PRIVACY SET WITH ATHENS LEVER AND ROSE US26D FINISH KNURLED HANDLE
 - WALL MOUNTED DOOR STOP IVES #MS406CVX SATIN ALUMINUM
 - DOOR CLOSER - LGN 4011 OR EQUAL ADA COMPLIANT AND ADJUSTED FOR COMPLIANCE. INSTALLED ON FULL SIDE OF THE DOOR
 - DOOR SILENCERS BY "IVES" #SR64 STOP MOUNTED
 - KICK PLATE-IVES-B400 SERIES-16GA-12" CORRIDOR SIDE STAINLESS STEEL ON BOTH SIDES; 1/2" FROM BOTTOM AND EDGES OF THE DOOR.
- SET 4: TOILET ROOM DOOR HARDWARE**
- 1-1/2 PR. NRP HINGES - (STANLEY - FEB174 - US 26 D)
 - SCHLAGE SERIES "D" PRIVACY SET WITH ATHENS LEVER AND ROSE US26D FINISH KNURLED HANDLE
 - WALL MOUNTED DOOR STOP IVES #MS406CVX SATIN ALUMINUM
 - DOOR CLOSER - LGN 4011 OR EQUAL ADA COMPLIANT AND ADJUSTED FOR COMPLIANCE. INSTALLED ON FULL SIDE OF THE DOOR
 - DOOR SILENCERS BY "IVES" #SR64 STOP MOUNTED
 - KICK PLATE-12" HIGH SATIN STAINLESS STEEL 1/2" FROM EDGES AND BOTTOM OF DOOR CORRIDOR SIDE ONLY.
 - LIBERTY HARDWARE - CRESTFIELD DOUBLE ROBE HOOK PART#B6683 - FINISH SATIN NICKEL
- SET 5: REAR EXIT DOOR**
- 1-1/2 PR. NRP HINGES - (EXIST'G)
 - DETEX ALARM LOCK INTERIOR PANIC BAR
 - DETEX VAO PANIC BAR W BATTERY ALARM WITH U-CHANGE CAPABILITY (SEE NOTE BELOW)
 - DOOR CLOSER - LGN - 4011 OR EQUAL - REG. ALUMINUM. (INSTALL ON SWING SIDE OF DOOR)
 - FEET
 - KICK PLATE-IVES-B400 SERIES-16 GA-12" CORRIDOR SIDE INTERIOR FULL HANDLE
 - EXTERIOR ASTRAGAL
 - WEATHER STRIPPING KIT
 - JAMB BUZZER TO STOCK ROOM/SALES AREA
 - ONE WAY VIEWER (PEEP HOLE) - IVES BY SCHLAGE 648P-BT16
- SET 6: FITTING ROOM DOORS**
- 1-1/2 PR. HINGES - (STANLEY - FEB174 - US 26 D)
 - SCHLAGE SERIES "D" PRIVACY SET WITH ATHENS LEVER AND ROSE US26D FINISH KNURLED HANDLE
 - DOOR STOP TO BE IVES #MS406CVX SATIN ALUMINUM
 - DOOR SILENCERS MOUNTED TO DOOR STOP #SR64
- SET 7: FOR THE METAL BRONZE MONUMENTAL DOORS BY GC ENTRY PAIR OF DOORS**
- SU1 CONCEALED GEAR CONTINUOUS HINGE BY SELECT HINGES PER DOOR BRONZE IN COLOR
 - LGN - 4011 4021 (REP. CONTACT: 871 618-1011) OVERHEAD RAIL MOUNTED DOOR CLOSER WITH FRICTION HOLD OPEN PARALLEL ARM ADA COMPLIANT PER DOOR BRONZE IN COLOR SIZED FOR DOOR
 - ADJUSTABLE BOTTOM BRUSH SWEEP FULL WIDTH OF DOOR
 - ADAMS RITE 4015 THRESHOLD BOLT -AUTOMATIC TWO POINT LOCK FOR DOUBLE ENTRY DOORS, OPERATED BY THE 4550 DEADLOCK LEVER ON INTERIOR AND LOCKED -UNLOCKED INDICATOR LEVER HANDLE. DEAD BOLT ADAMS RITE SERIES MS18505 (MAY4)
 - FULL WIDTH BRONZE IN COLOR SADDLE THRESHOLD FOR ADA COMPLIANCE.
 - 2- 3/8 CYLINDER RING A04105-613 BRONZE
 - 2- BEST STRAIGHT RING A06201613
 - 2- 024 NEOPRENE O-RING, 10A DIAPHRAGM, 1-1/8" ID, 1/16" WIDTH (PK100) PART # 024-5421-100
 - 2- U-CHANGE LOCK CYLINDER FOR MORTISE LOCKSETS BY SECURITY SOLUTIONS (BRONZE FINISH) PART #316M0AD1
 - 2- U-CHANGE FACTORY KEY BY SECURITY SOLUTIONS #K205FACTORY
 - 2- U-CHANGE TOOL BY SECURITY SOLUTIONS PART # 36T00000
 - HARDWARE HIT.COM FIRST IMPRESSIONS # FIR-CF36A-DBZ 20-1/2" SCROLL DOOR FULL HAMMERED DURA BRONZE INTERIOR AND EXTERIOR MOUNTING AT 30 3/4" A.F.F.
- SET 8: ACCESS DOOR HARDWARE**
- 1-1/2 PR. NRP HINGES - (STANLEY - FEB174 - US 26 D)
 - SCHLAGE SERIES "D" PASSAGE SET WITH ATHENS LEVER AND ROSE US26D FINISH KNURLED HANDLE

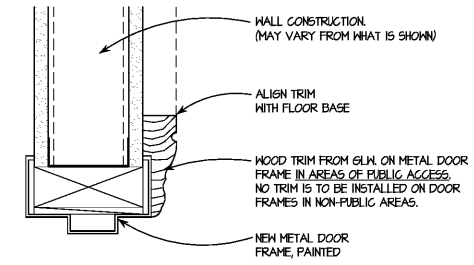
PRICE AS EXTRA THE FOLLOWING
.....HARDWARE SET & THE DETEX RIM CYLINDER IS TO BE PART NUMBER 316LL1A1C2, ONE REQUIRED.....HARDWARE SET # A CAM MORTISE CYLINDER -316A01AD2 TWO REQUIRED.
GENERAL CONTRACTOR IS TO REQUEST TWO SETS OF TEN BLANK KEYS FOR TENANT AT TURN OVER.



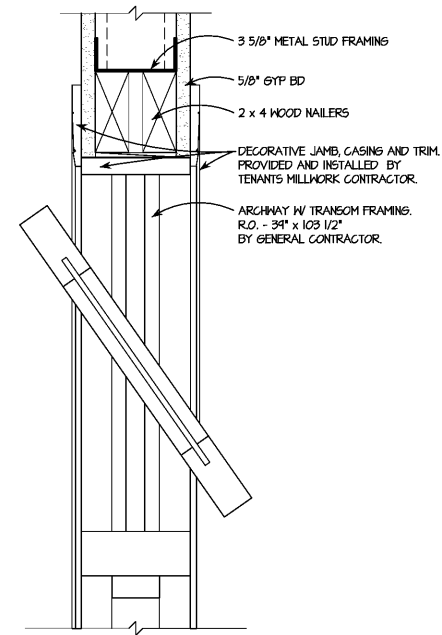
3 ADA FITTING ROOM SIGNAGE
A-1.2 SCALE: N.T.S.



2 RESTROOM ADA SIGNAGE
A-1.2 SCALE: N.T.S.



1 METAL HEAD/JAMB W/ WOOD TRIM
SCALE: 3" = 1'-0"



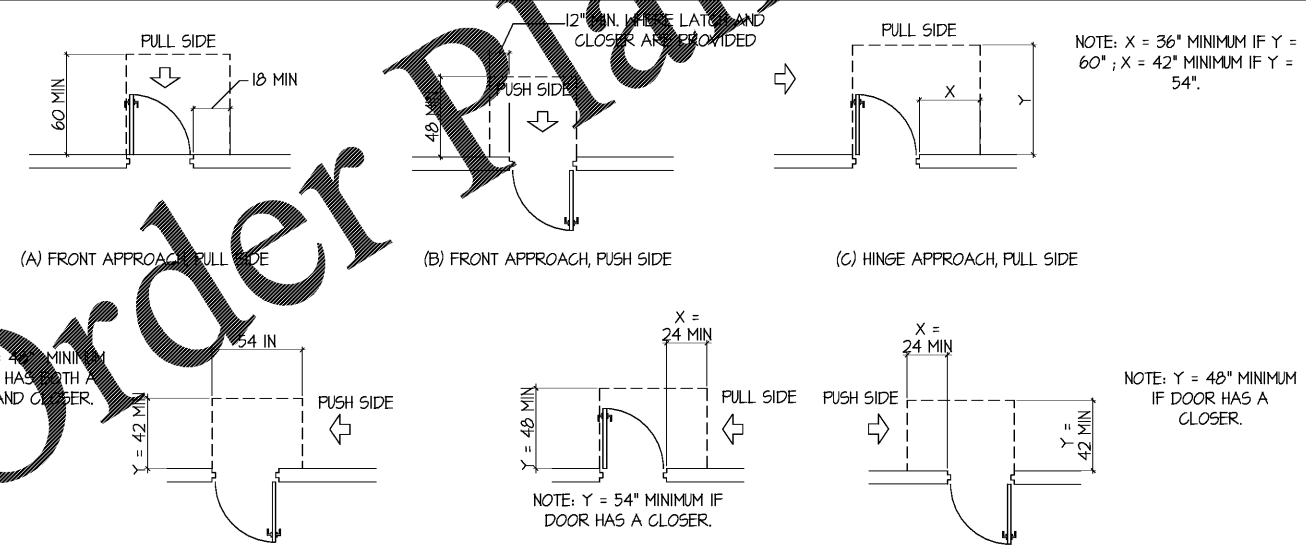
4 WALL HEADER W/ TRANSON AT TOILET CORRIDOR
A-1.2 SCALE: 3" = 1'-0"

J	E	G	F	N	E
PROVIDED BY OWNER, INSTALLED BY F.C.	FURNISHED BY TENANT	BOBRICK #B-5806 X 42	BOBRICK #B-5806 X 36	KOHLER #K-11415	EKLAY #E251L6C
PLATE GLASS MIRROR	SOAP DISPENSER	42" GRAB BARS # SIDE	36" GRAB BARS # REAR	TOILET TISSUE DISPENSER	ADA COMPLIANT SPLIT LEVEL ELECTRIC SHOWER
TOILET ROOM ELEVATIONS:					
		BOBRICK #B-4940-24	BY G.L.H.	MEDALLION TYPE BOBRICK #B-106 - 18"	KOHLER'S D. #K-1022-111 K-2028-1-47 BASIN K-2051-47 SHROUD
		SHING DOWN GRAB BAR	FURZE HOOK	COAT HOOK	FAUCET AND SINK
				18" VERTICAL GRAB BARS	WATER CLOSET

NOTE: ELEVATIONS SHOW OUTLINE OF ITEMS ONLY. FOR ROUGH HALL OPENING DIMENSIONS AND PLACEMENT OF REQUIRED ELECTRICAL AND PLUMBING CONNECTIONS. SEE CURRENT TECHNICAL DATA SHEET AVAILABLE FOR EACH MODEL LISTED IN TOILET ROOM ACCESSORY SCHEDULE.

DIMENSIONS INDICATE AVERAGE MOUNTING HEIGHT FROM TOP OF ROUGH HALL OPENING (AT RECESSED ITEMS) OR TOP OF UNIT (AT SURFACE MOUNTED ITEMS) TO FINISHED FLOOR FOR CONDITIONS GENERALLY ENCOUNTERED IN PUBLIC WASHROOMS. MOUNTING HEIGHTS ARE IN COMPLIANCE WITH ANSI A117.1.

ACCESSIBILITY



Order Plans