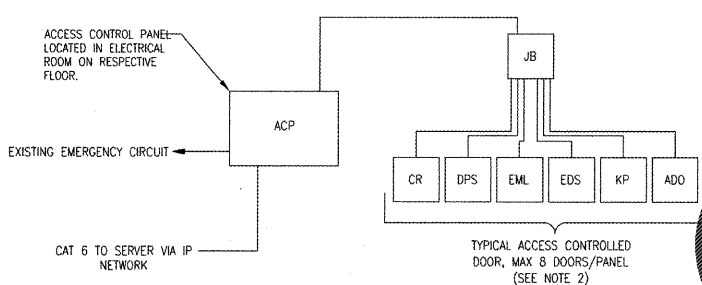


**NOTES**

1. FIRE ALARM CONTRACTOR SHALL PROVIDE ONE CONTROL RELAY PER DOOR SECURITY SYSTEM CONTROL PANEL TO INITIATE DELAYED EGRESS IN THE EVENT OF AN ALARM.
2. PROVIDE POWER HINGE OR CONDUIT AND CONNECTION FOR DOOR STRIKE FOR RESPECTIVE DOORS DEPENDING ON HARDWARE PROVIDED.

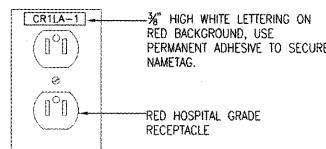
**(C1) ACCESS CONTROL RACEWAY DIAGRAM-TYPICAL**  
SCALE: NONE



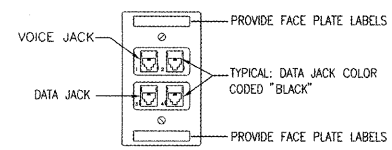
**NOTES**

1. ACCESS CONTROL SYSTEM INSTALLATION SHALL BE BY CERTIFIED INSTALLER WHO SHALL BE PRESENT ONSITE THROUGH INSTALLATION, START-UP, AND TRAINING.
2. NOT ALL COMPONENTS USED ON EVERY DOOR. COORDINATE WITH ARCHITECTURAL DOOR HARDWARE SCHEDULE.

**(F1) ACCESS CONTROL FUNCTIONAL RISER**  
SCALE: NONE

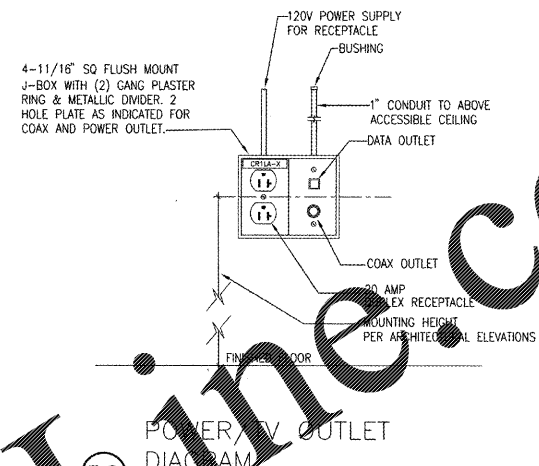


**(A6) EMERGENCY RECEPTACLE NAMEPLATE DIAGRAM**  
SCALE: NONE

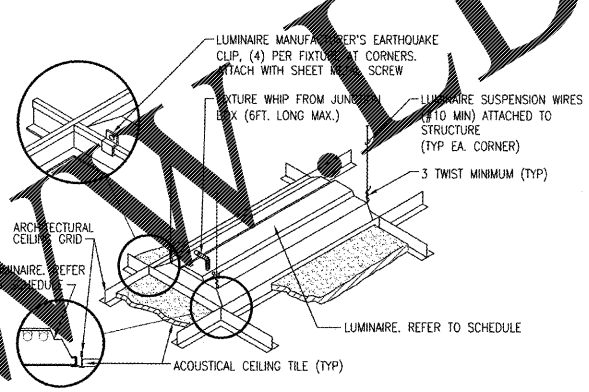


**(B6) TYPICAL TELEPHONE/DATA OUTLET DIAGRAM**  
SCALE: NONE

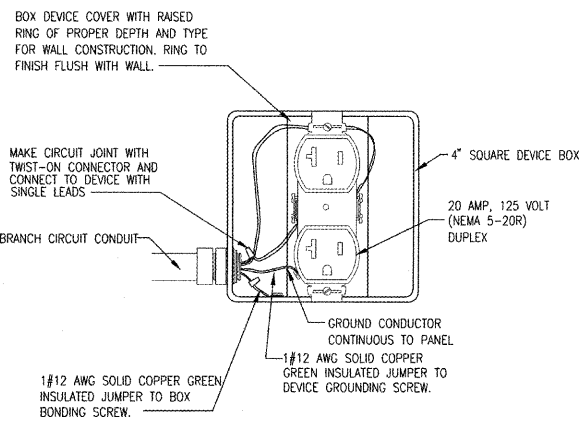
EACH DATA OUTLET SHALL HAVE THE FOLLOWING: DATA: (3) 4 PAIR 24AWG BLUE PLENUM RATED CAT 6 CABLES, EACH CABLE SHALL TERMINATE TO A BLACK JACK (HUBBELL 233418), FACE PLATES SHALL BE WORY, (HUBBELL 233445). CABLES SHALL BE TERMINATED PER 568A.



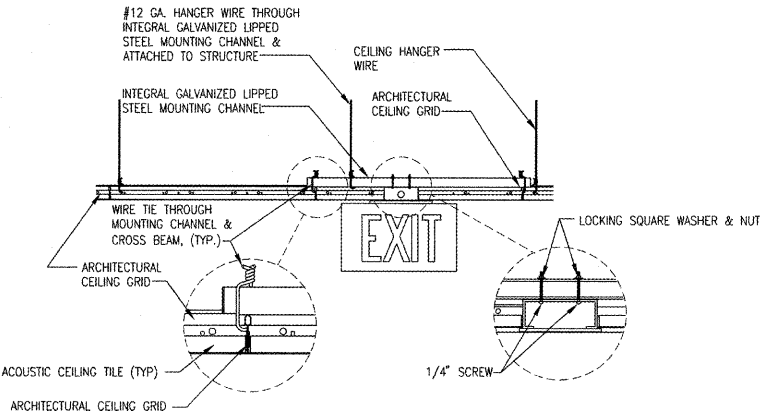
**(B8) POWER/TV OUTLET DIAGRAM**  
SCALE: NONE



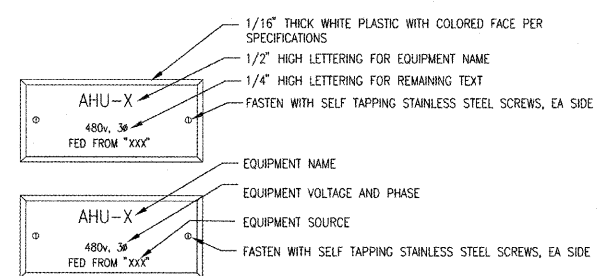
**(D6) LUMINAIRE MOUNTING - LAY-IN CEILING**  
SCALE: NONE



**(D8) TYPICAL RECEPTACLE GROUNDING DETAIL**  
SCALE: NONE



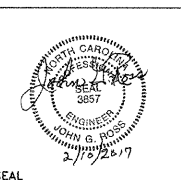
**(F5) EXIT SIGN MOUNTING - LAY-IN CEILING**  
SCALE: NONE



**(F8) EQUIPMENT NAMEPLATES**  
SCALE: NONE

REVISION NO.	DESCRIPTION	DATE

Department of Veterans Affairs  
**Charlie Norwood**  
 VA Medical Center  
 1 Freedom Way  
 Augusta, Ga. 30904



Architect/Engineer Address  
**Harrell, Saltrick & Hopper**  
 Design & Management Solutions for the Built Environment  
 1015 TOWER POINT DRIVE  
 CHARLOTTE, NC 28027  
 WWW.HSHPC.COM  
 P 704.814.1829  
 F 704.521.1833  
 COPYRIGHT © 2012 HARRELL, SALTRICK & HOPPER, PC  
 HIGH PROJECT # 12015

Recommended Approvals:	
1. MEDICAL CENTER DIRECTOR	6. OPERATIONS SERVICE LINE MANAGER
2. ASSISTANT DIRECTOR	7. INFECTION CONTROL MANAGER
3. CHIEF OF STAFF	8. SAFETY MANAGER
4. ASSOC. DIRECTOR	9. GENERAL ENGINEER
5. SERVICE LINE MGRS.	10. COR

Drawing Title		Project Title	
ELECTRICAL DETAILS		RENOVATE MENTAL HEALTH UNITS	
100% CONSTRUCTION DOCUMENTS		Drawn WAO	Building Number
FULLY SPRINKLERED		Checked [Signature]	AutoCAD File Name
		Reviewed [Signature]	Const. Contract No.

Date	Project Number	Drawing No.
February 10, 2017	509-12-104	<b>E501</b>

