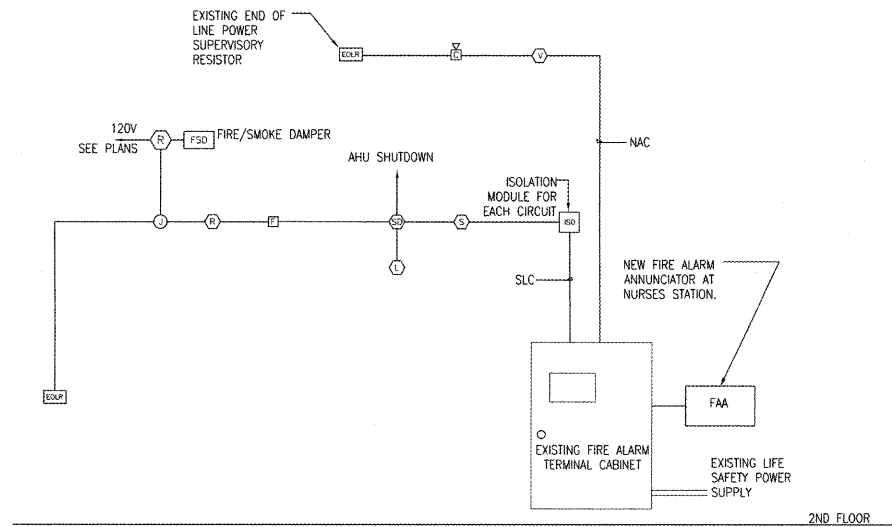


"F" WING



NOTE:
 CONTRACTOR TO CONTRACT WITH SIMPLEX/GRINNELL TO DISCONNECT THE FIRE ALARM SYSTEM BEFORE REMOVAL OF ANY FIRE ALARM DEVICES. UPON COMPLETION OF REINSTALLATION, SIMPLEX/GRINNELL WILL BE CONTRACTED TO RECONNECT THE SYSTEM AND PERFORM TESTING OF SYSTEM.

LINE LEGEND	
—	EXISTING
—	NEW
- - -	DEMO

A1 ADDRESSABLE FIRE ALARM SYSTEM RISER DIAGRAM
 SCALE: NONE

FIRE ALARM NOTES:

- THE FIRE ALARM SYSTEM IS AN EXISTING SIMPLEX FIRE ALARM SYSTEM USING A SIMPLEX 4120 PANEL. PROVIDE A COMPLETE REPLACEMENT OF EXISTING DEVICES AND MODIFICATIONS TO ADD NEW DEVICES TO PROVIDE A NEW FULLY FUNCTIONAL SYSTEM CONNECTED TO THE EXISTING FIRE ALARM CONTROL PANEL. THE NEW WIRING AND DEVICES SHALL BE COMPATIBLE WITH THE EXISTING ADDRESSABLE FIRE ALARM SYSTEM. THE NEW SYSTEM WIRING AND DEVICES SHALL COMPLY WITH THE GENERAL REQUIREMENTS DESCRIBED BELOW.
- ALL WIRING SHALL BE INSTALLED IN CONDUIT, MINIMUM CONDUIT SIZE 3/4". EXISTING RACEWAYS MAY BE REUSED WHERE PRACTICAL. ALL EXISTING RACEWAY BEING REUSED MUST BE COMPLIANT WITH CURRENT CODES AND V.A. STANDARDS AND MUST BE FED IN CONDUIT.
- UPON COMPLETION, CONTRACTOR SHALL TEST AND INSPECT THE SYSTEM IN ACCORDANCE WITH NFPA 72, NFPA 70 (NEC), NFPA 99, NFPA 101. VOLTAGE DROP CALCULATIONS TO THE ENGINEER FOR REVIEW. A COMPLETED "RECORD OF COMPLETION" (CHP. 1-7, NFPA 72, 2010), A COPY OF BATTERY CALCULATIONS, AND DEVICE INFORMATION SHEETS SHALL BE SUBMITTED PRIOR TO FINAL INSPECTION. UPGRADE POWER SUPPLIES OR PROVIDE BOOSTER PANELS AS NECESSARY TO ACCOMMODATE NEW NOTIFICATION APPLIANCES WHERE NECESSARY. UPGRADE PANEL TO ACCOMMODATE NEW ALARM, SUPERVISORY OR CONTROL FUNCTIONS WHERE NECESSARY.
- DEVICES SHOWN ON THE RISER DIAGRAM ARE TYPICAL. REFER TO FLOOR PLANS FOR ACTUAL LOCATIONS AND QUANTITY OF FIRE ALARM DEVICES.
- INSTALLATION SHALL MEET REQUIREMENTS OF THE LATEST REVISIONS OF NFPA 72, NFPA 70 (NEC), NFPA 99, NFPA 101.
- PHASE FIRE ALARM WORK SO THAT THE EXISTING SYSTEM REMAINS ACTIVE TO THE GREATEST EXTENT POSSIBLE WHILE NEW WORK IS BEING DONE. COORDINATE OUTAGES WITH THE ENGINEERING AND SECURITY STAFF. THE SYSTEM MUST BE SECURE AND ACTIVE DURING THE HOURS AND DAYS OF CONSTRUCTION NOT TAKING PLACE. ARRANGE FOR FIRE WATCHES WHEN SYSTEM HAS TO BE DISABLED AT ANY TIME WHEN FLOOR IS NOT OPENED.
- THE FACTORY TRAINED FIRE ALARM INSTALLER SHALL INSTALL, TERMINATE, AND TEST ALL SYSTEM CABLING.
- THE CONTRACTOR SHALL VISIT THE PROJECT PRIOR TO BIDDING.
- ALL DEVICES SHALL BE PERMANENTLY LABELED AND LEGIBLE FROM FLOOR TO INDICATE UNIQUE ADDRESS AND SPECIFIC LOCATION OF DEVICE.
- PROVIDE UL LISTED WEATHERPROOF DUCT DETECTOR COVER OVER DUCT DETECTORS MOUNTED OUTSIDE.
- SMOKE DETECTORS ADJACENT TO ELECTRICALLY OPERATED DOORS MUST BE PLACED TO BE WITHIN 5 FEET OF DOOR JAMB AND 15 FEET OF FIRE ALARM PULL STATION AT NURSES STATION.

FIRE ALARM SYMBOL LEGEND

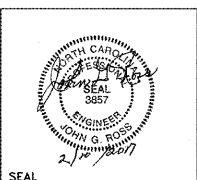
F	FIRE ALARM SYSTEM MANUAL PULL STATION IN FLUSH (FINISHED SPACES) OR SURFACE (UNFINISHED SPACES) OUTLET BOX 44" A.F.F. UNLESS OTHERWISE INDICATED.
H	FIRE ALARM SYSTEM CEILING MOUNTED COMBINATION FIXED TEMPERATURE 135 DEGREE AND RATE OF RISE HEAT DETECTOR.
V	FIRE ALARM SYSTEM VISUAL ONLY SIGNAL DEVICE. MOUNT FLUSH IN (FINISHED SPACES) OR SURFACE (UNFINISHED SPACES) OUTLET BOX. MOUNT DEVICE SUCH THAT THE ENTIRE LENS IS NOT LESS THAN 80" AND NOT GREATER THAN 96" AFF. NUMBER INDICATES CANDELA RATING. 75 CANDELA WHEN NOT LABELED OTHERWISE. SUBSCRIPT "C" DENOTES CEILING MOUNTED.
CK	FIRE ALARM SYSTEM COMBINATION AUDIO-VISUAL DEVICE FLUSH (FINISHED SPACES) OR SURFACE (UNFINISHED SPACES) WALL-MOUNTED OUTLET BOX. NUMBER INDICATES STROBE CANDELA RATING. 75 CANDELA WHEN NOT OTHERWISE LABELED. (C=CHIME/STROBE)
R	FIRE ALARM SYSTEM CONTROL RELAY
S	FIRE ALARM SYSTEM CEILING MOUNTED SMOKE DETECTOR
FACP	FIRE ALARM CONTROL PANEL
FAA	FIRE ALARM REMOTE ANNUNCIATOR PANEL
LD	FIRE ALARM SYSTEM DUCT DETECTOR WITH SAMPLING TUBES, FURNISHED AND WIRED BY ELECTRICAL CONTRACTOR TO LOCAL FACP, INSTALLED BY MECHANICAL CONTRACTOR UNLESS OTHERWISE INDICATED.
LD	DUCT SMOKE DETECTOR REMOTE ALARM INDICATOR AND TEST STATION.
ISO	ISOLATION MODULE
EOLR	END OF LINE POWER SUPERVISORY RESISTOR
SLC	SIGNAL LINE CIRCUIT
NAC	NOTIFICATION APPLIANCE CIRCUIT

INPUT DEVICE	OUTPUTS									
	A	B	C	D	E	F	G	H	I	J
1 DUCT SMOKE DETECTOR				●	●			●		
2 AREA SMOKE DETECTOR	●	●	●				●			
3 MANUAL PULL STATION	●	●	●				●			
4 SPRINKLER WATERFLOW / PRESSURE SWITCH	●	●	●			●				
5 WATER CONTROL VALVE TAMPER				●						
6 FIRE ALARM PANEL AC POWER FAILURE									●	●
7 FIRE ALARM PANEL LOW-BATTERY									●	●
8 OPEN CIRCUIT CONDITION									●	●
9 GROUND FAULT CONDITION									●	●
10 NAC SHORT-CIRCUIT									●	●

F7 FIRE ALARM INPUT/OUTPUT MATRIX
 SCALE: NONE

REVISION	DESCRIPTION	DATE

Department of Veterans Affairs
Charlie Norwood
 VA Medical Center
 1 Freedom Way
 Augusta, Ga. 30904



Architect/Engineer Address
Harrell, Saltrick & Hopper
 Design & Management Solutions for the Built Environment
 1014 TOMER POINT DRIVE CHARLOTTE, NC 28227
 P 704.614.1120 F 704.521.0833
 WWW.HSHINC.COM
 COPYRIGHT © 2012 HARRELL, SALTRICK & HOPPER, PC
 HSH PROJECT # 12015

Recommended Approvals:	
1. MEDICAL CENTER DIRECTOR	6. OPERATIONS SERVICE LINE MANAGER
2. ASSISTANT DIRECTOR	7. INFECTION CONTROL MANAGER
3. CHIEF OF STAFF	8. SAFETY MANAGER
4. ASSOC. DIRECTOR	9. GENERAL ENGINEER
5. SERVICE LINE MGRS.	10. COR

Drawing Title
FIRE ALARM MATRIX, RISER, LEGEND AND NOTES

100% CONSTRUCTION DOCUMENTS
 FULLY SPRINKLERED

Project Title
RENOVATE MENTAL HEALTH UNITS

Drawn: WAO
 Checked: [Signature]
 Building Number: [Blank]
 AutoCAD File Name: [Blank]
 Const. Contract No.: [Blank]

Date
 February 10, 2017

Project Number
 509-12-104

DRAWING No.
FA001

