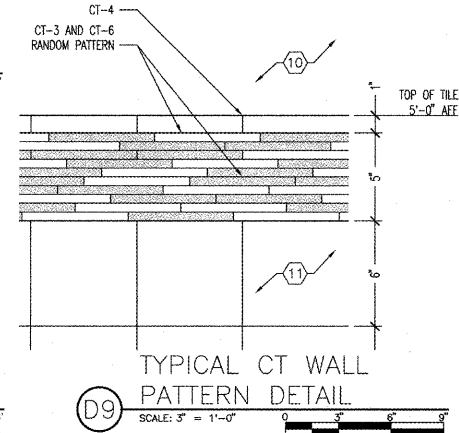


**GENERAL SHEET NOTES**

- A. REFER TO FINISH SCHEDULE FOR FINISH MATERIAL COLOR, SIZE AND LOCATION.
- B. REFER TO EQUIPMENT SCHEDULE SHEETS FOR ADDITIONAL EQUIPMENT INFORMATION.

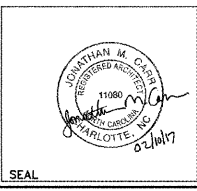
**SHEET NOTES**

- 1. REFER TO RCP PLAN FOR HEIGHT
- 2. RESIN PANEL WITH ALUM. FRAME-REFER TO FIN. SCHEDULE
- 3. BUILT-IN CASEWORK
- 4. BED (FLOOR MOUNTED)
- 5. NURSE CALL BUTTON
- 6. OPEN SHELVING WARDROBE
- 7. LIGHT FIXTURE-REFER TO RCP PLANS & ELEC. DRAWINGS
- 8. WALL TRIM PAINTED WITH P-1
- 9. WALL BASE-REFER TO FINISH SCHEDULE
- 10. WALL PAINTED-REFER TO FINISH SCHEDULE
- 11. CERAMIC WALL TILE CT-1, REFER TO FINISH SCHEDULE
- 12. CERAMIC WALL TILE CT-3 OR CT-4, REFER TO FINISH SCHEDULE
- 13. CERAMIC WALL TILE CT-5-REFER TO FINISH SCHEDULE
- 14. EXISTING STRUCTURE ABOVE
- 15. STAINLESS STEEL GRAB BARS
- 16. CERAMIC TRIM (CT-6)-REFER TO F3/A401, TYPICAL
- 17. TOILET TISSUE DISPENSER
- 18. STAINLESS STEEL FRAMED MIRROR POLYCARBONATE SAFETY GLASS
- 19. DOOR-REFER TO DOOR SCHEDULE
- 20. DOUBLE TIER METAL LOCKERS
- 21. CURTAIN WALL WINDOW SYSTEM
- 22. WASH AND DRYER-REFER TO EQUIPMENT PLAN
- 23. HAND SOAP CONTAINER
- 24. CORNER GUARD-REFER TO FIN. SCHEDULE
- 25. PSYCHIATRIC HANDRAIL-REFER TO FIN. SCHEDULE (TYP.)
- 26. PSYCHIATRIC CRASH RAIL-REFER TO FIN. SCHEDULE (TYP.)
- 27. NURSE STATION CASEWORK
- 28. GYPSUM BOARD BULKHEAD
- 29. RECESSED PAPER TOWEL DISPENSER
- 30. SOLID SURFACE COUNTERTOP
- 31. PLASTIC LAMINATE ON PLYWOOD-REFER TO FINISH SCHEDULE
- 32. EXISTING EXPANSION JOINT
- 33. TACKBOARD/MARKERBOARD
- 34. WALL MOUNTED CLOCK
- 35. TABLE MOUNTED EXAM LIGHT-REFER TO ELEC. DRAWINGS
- 36. EXAM TABLE
- 37. RESINOUS MATERIAL-REFER TO FIN. SCHEDULE
- 38. SHOWER FIXTURE-REFER TO PLUMBING DRAWINGS
- 39. RECESSED SOAP DISPENSER
- 40. KEYED SWITCHES
- 41. CARD READER/KEYPAD
- 42. FIRE EXTINGUISHER CABINET
- 43. ELECTRIC WATER COOLER
- 44. ELECTRICAL RECEPTACLE-SEE ELEC. DRAWINGS
- 45. NURSE CALL DEVICE-SEE ELEC. DRAWINGS
- 46. DATA/VOICE RECEPTACLE-SEE ELEC. DRAWINGS
- 47. LIGHT SWITCH-SEE ELEC. DRAWINGS
- 48. STAINLESS STEEL FRAMED SAFETY GLASS MIRROR



REVISION	DESCRIPTION	DATE

**Department of Veterans Affairs**  
**Charlie Norwood**  
**VA Medical Center**  
**1 Freedom Way**  
**Augusta, Ga. 30904**



Architect/Engineer Address  
**Harrell, Saltrick & Hopper**  
 Design & Management Solutions for the Built Environment  
 2016 TOWER POINT DRIVE CHARLOTTE, NC 28227  
 WWW.HSH-PC.COM P 704.914.1300 F 704.321.0833  
 COPYRIGHT © 2012 HARRELL, SALTRICK & HOPPER, PC  
 HSH PROJECT # 12045

Recommended Approvals:	
1. MEDICAL CENTER DIRECTOR	6. OPERATIONS SERVICE LINE MANAGER
2. ASSISTANT DIRECTOR	7. INFECTION CONTROL MANAGER
3. CHIEF OF STAFF	8. SAFETY MANAGER
4. ASSOC. DIRECTOR	9. GENERAL ENGINEER
5. SERVICE LINE MGRS.	10. COR

Drawing Title <b>INTERIOR ARCHITECTURAL ELEVATIONS</b>
100% CONSTRUCTION DOCUMENTS
FULLY SPRINKLERED

Project Title <b>RENOVATE MENTAL HEALTH UNITS</b>	Date February 10, 2017
Drawn BWS III	Project Number 509-12-104
Checked	Building Number
Reviewed	AutoCAD File Name
Const. Contract No.	DRAWING No. <b>AI102</b>

