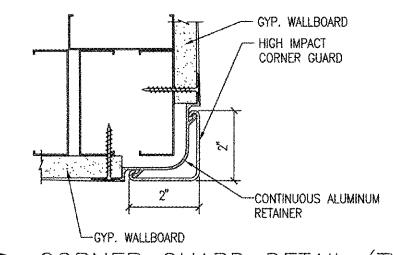
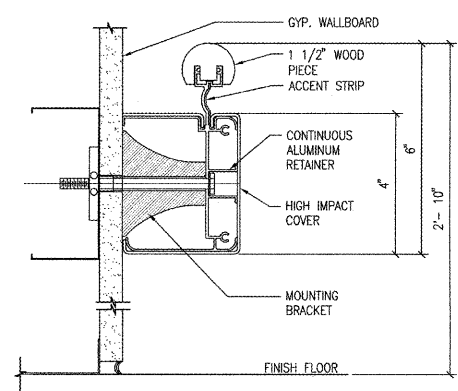


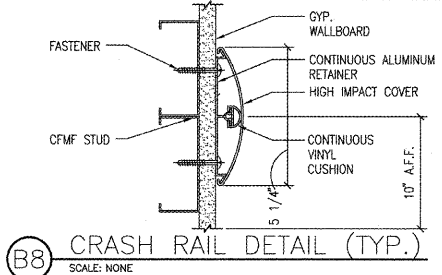
B1 FIRE EXTINGUISHER DETAIL (TYP.)
SCALE: NONE



B4 CORNER GUARD DETAIL (TYP.)
SCALE: NONE

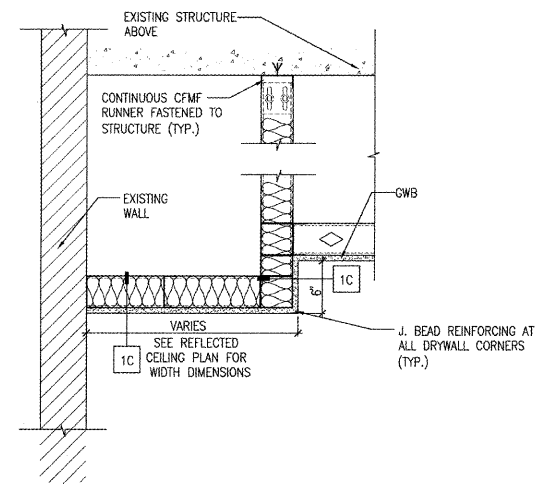


B6 HANDRAIL DETAIL (TYP.)
SCALE: NONE

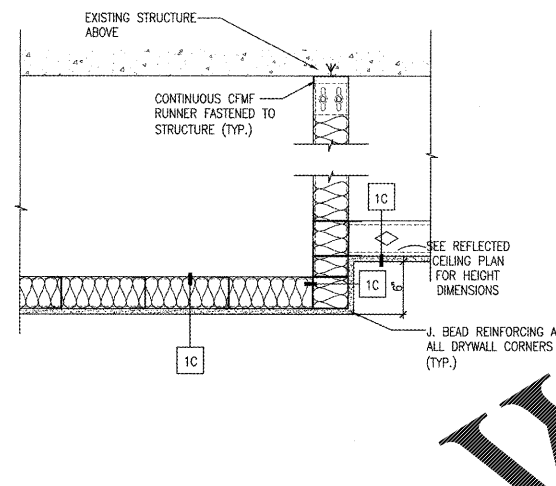


B8 CRASH RAIL DETAIL (TYP.)
SCALE: NONE

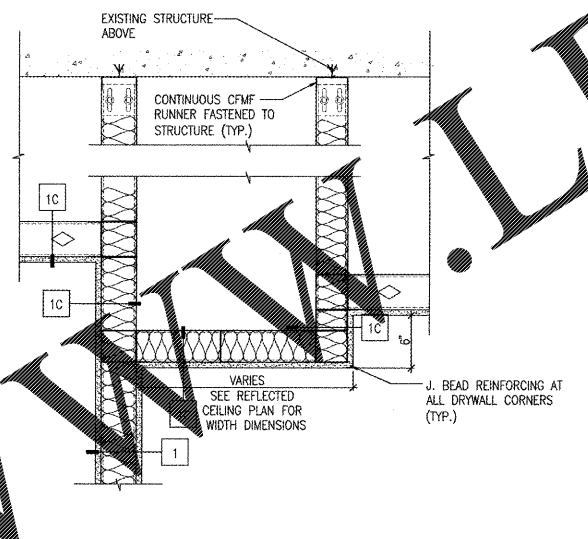
GENERAL SHEET NOTES
 A. REFER TO REFLECTED CEILING PLANS FOR CEILING HEIGHTS, SOFFIT HEIGHTS, AND MATERIALS.
 B. REFER TO SHEET G105 FOR PARTITION TYPES. (??) PARTITION TYPE SYMBOL



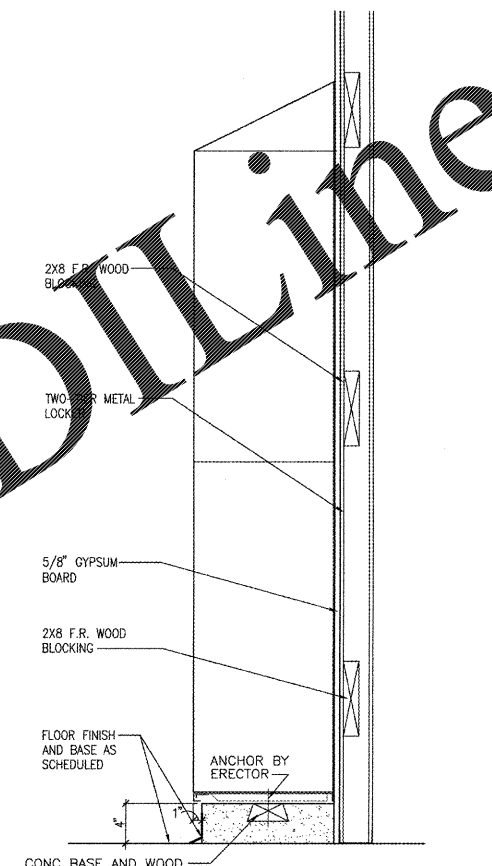
D1 BULKHEAD CEILING DETAIL (TYP.)
SCALE: 1 1/2" = 1'-0"



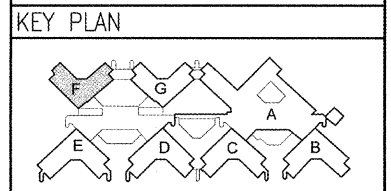
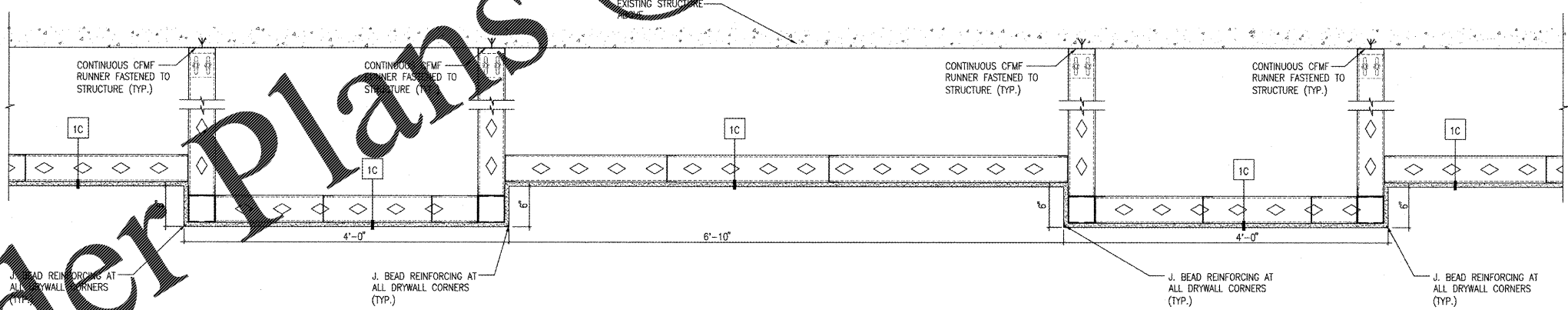
D4 BULKHEAD CEILING DETAIL (TYP.)
SCALE: 1 1/2" = 1'-0"



D7 BULKHEAD CEILING DETAIL (TYP.)
SCALE: 1 1/2" = 1'-0"



D8 STAFF LOCKER DETAIL (TYP.)
SCALE: 1 1/2" = 1'-0"



Project Title RENOVATE MENTAL HEALTH UNITS		Date February 10, 2017
Project Number 509-12-104		Drawing No. AE503
Drawn BWS III	Building Number	AutoCAD File Name
Checked	Reviewed	Const. Contract No.

REVISION	DESCRIPTION	DATE

Department of Veterans Affairs
 Charlie Norwood
 VA Medical Center
 1 Freedom Way
 Augusta, Ga. 30904

Architect/Engineer Address
Harrell, Saltrick & Hopper
 Design & Management Solutions for the Built Environment
 2016 TOMER POINT DRIVE
 CHARLOTTE, NC 28227
 P 704.451.1320
 F 704.321.0833
 WWW.HSH-PC.COM
 COPYRIGHT © 2012 HARRELL, SALTRICK & HOPPER, PC
 HIGH PROJECT # 12015

Recommended Approvals:

1. MEDICAL CENTER DIRECTOR	6. OPERATIONS SERVICE LINE MANAGER
2. ASSISTANT DIRECTOR	7. INFECTION CONTROL MANAGER
3. CHIEF OF STAFF	8. SAFETY MANAGER
4. ASSOC. DIRECTOR	9. GENERAL ENGINEER
5. SERVICE LINE MGRS.	10. COR

Drawing Title
PLAN, CEILING, AND MISCELLANEOUS DETAILS

100%
CONSTRUCTION DOCUMENTS

FULLY SPRINKLERED

Project Title
RENOVATE MENTAL HEALTH UNITS

Drawn
BWS III

Checked

Date
February 10, 2017

Project Number
509-12-104

Drawing No.
AE503

