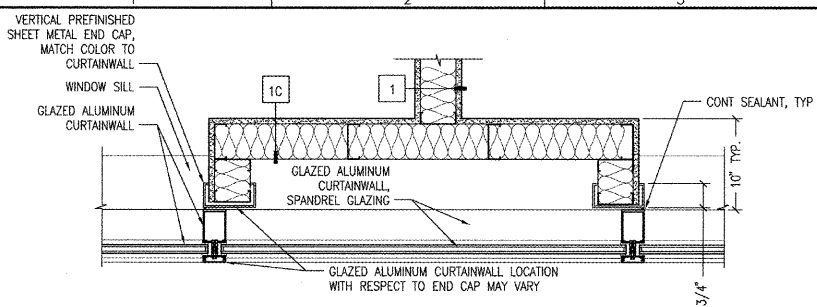
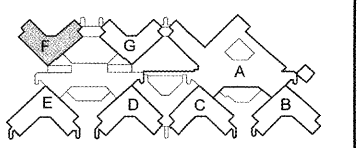


GENERAL SHEET NOTES

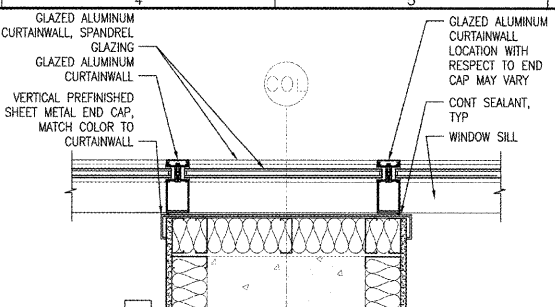
- A. REFER TO REFLECTED CEILING PLANS FOR CEILING HEIGHTS, SOFFIT HEIGHTS, AND MATERIALS.
- B. REFER TO SHEET G105 FOR PARTITION TYPES.

(??) PARTITION TYPE SYMBOL

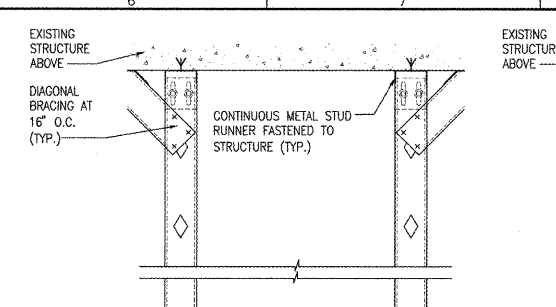
KEY PLAN



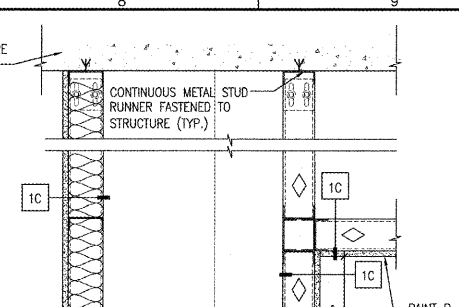
A1 PLAN DETAIL
SCALE: 1-1/2" = 1'-0"



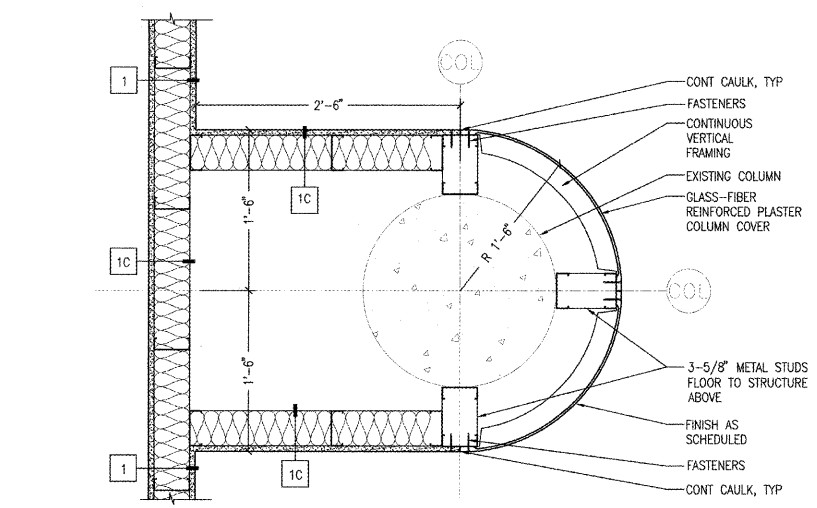
B4 PLAN DETAIL
SCALE: 1-1/2" = 1'-0"



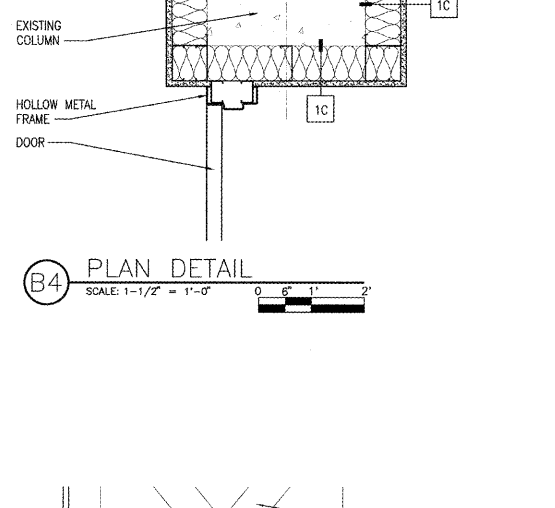
D4 WIDE BULKHEAD CEILING DETAIL
SCALE: 1-1/2" = 1'-0"



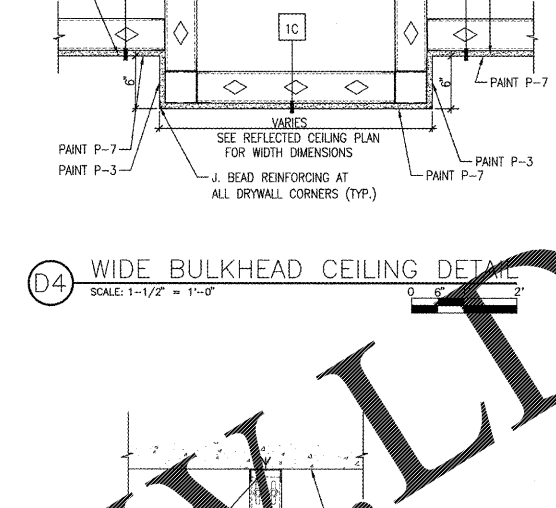
D4 BULKHEAD CEILING DETAIL
SCALE: 1-1/2" = 1'-0"



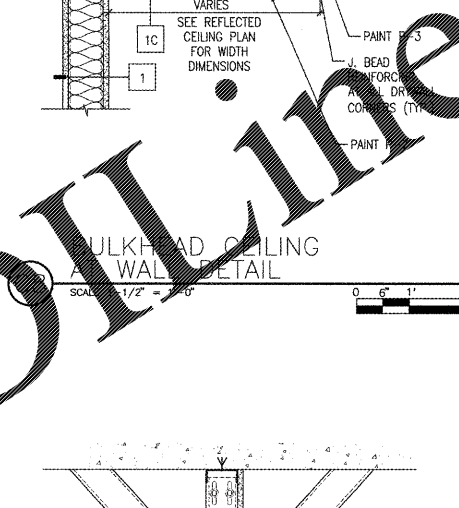
C1 PLAN DETAIL
SCALE: 1-1/2" = 1'-0"



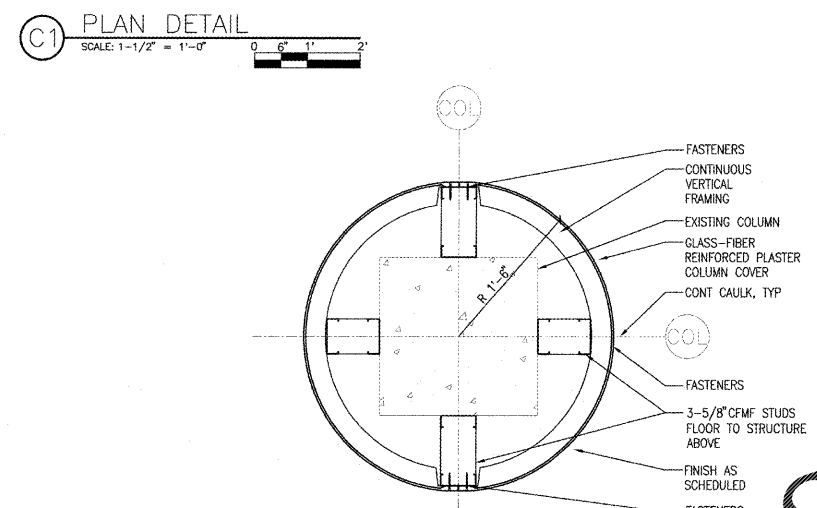
F4 PREMANUFACTURED CEILING EXPANSION JOINT COVER ASSEMBLY
SCALE: 6" = 1'-0"



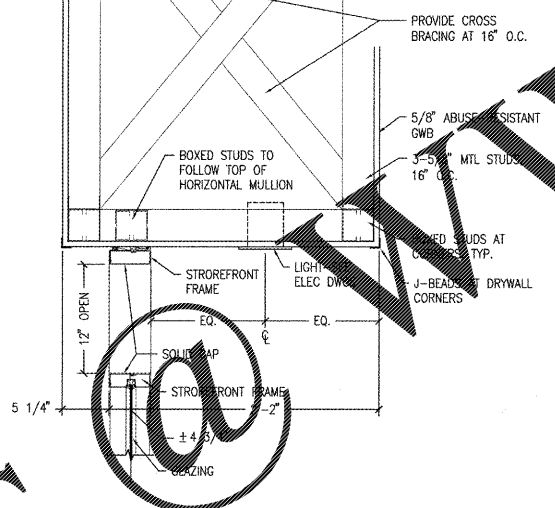
C6 NARROW BULKHEAD CEILING DETAIL
SCALE: 1-1/2" = 1'-0"



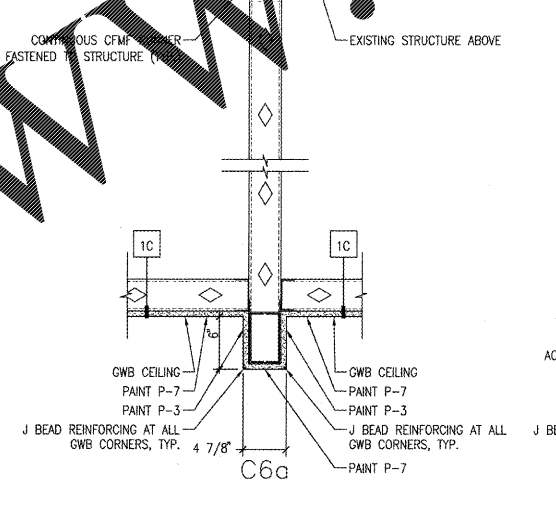
C6b BULKHEAD CEILING DETAIL
SCALE: 1-1/2" = 1'-0"



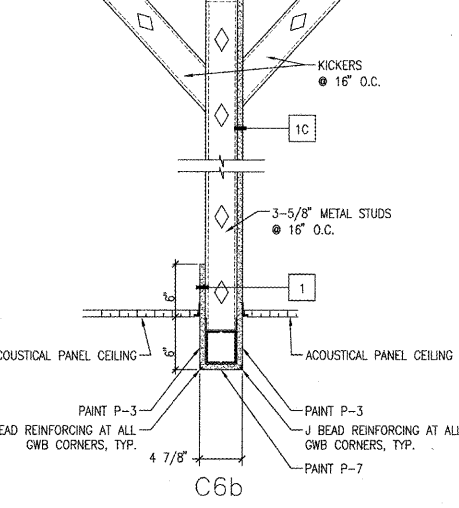
E1 PLAN DETAIL
SCALE: 1-1/2" = 1'-0"



F6 PREMANUFACTURED FLOOR EXPANSION JOINT COVER ASSEMBLY
SCALE: 6" = 1'-0"



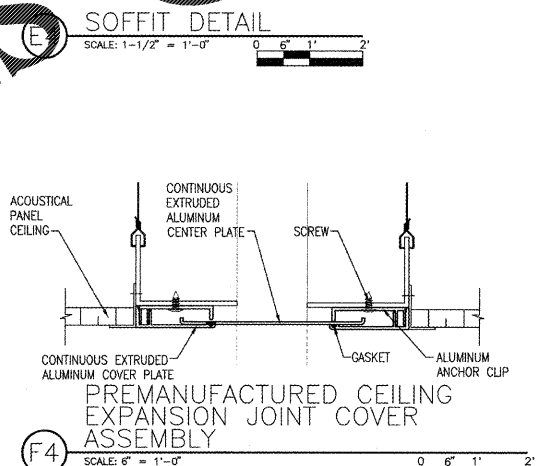
C6a NARROW BULKHEAD CEILING DETAIL
SCALE: 1-1/2" = 1'-0"



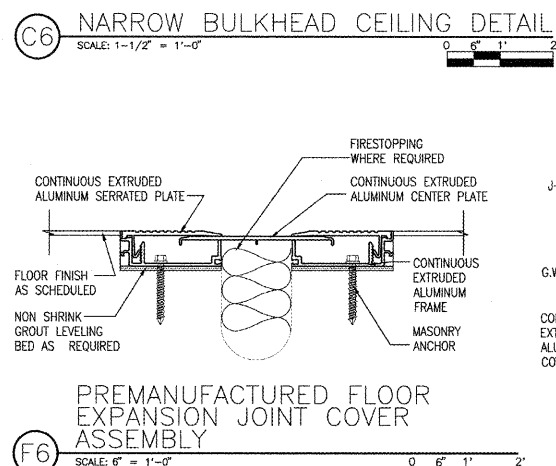
C6b BULKHEAD CEILING DETAIL
SCALE: 1-1/2" = 1'-0"



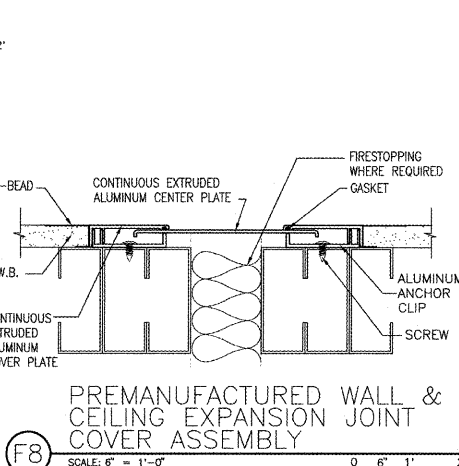
E1 PLAN DETAIL
SCALE: 1-1/2" = 1'-0"



F4 PREMANUFACTURED CEILING EXPANSION JOINT COVER ASSEMBLY
SCALE: 6" = 1'-0"



C6 NARROW BULKHEAD CEILING DETAIL
SCALE: 1-1/2" = 1'-0"



C6b BULKHEAD CEILING DETAIL
SCALE: 1-1/2" = 1'-0"

REVISION	DESCRIPTION	DATE

Department of Veterans Affairs
Charlie Norwood
 VA Medical Center
 1 Freedom Way
 Augusta, Ga. 30904

Architect/Engineer Address
Harrell, Saltrick & Hopper
 Design & Management Solutions for the Built Environment
 2016 TOWER POINT DRIVE CHARLOTTE, NC 28227
 WWW.HSHPC.COM
 COPYRIGHT © 2012 HARRELL, SALTRICK & HOPPER, PC
 HIGH PROJECT # 12095

Recommended Approvals:	
1. MEDICAL CENTER DIRECTOR	6. OPERATIONS SERVICE LINE MANAGER
2. ASSISTANT DIRECTOR	7. INFECTION CONTROL MANAGER
3. CHIEF OF STAFF	8. SAFETY MANAGER
4. ASSOC. DIRECTOR	9. GENERAL ENGINEER
5. SERVICE LINE MGRS.	10. COR

Drawing Title		Project Title	
PLAN, CEILING AND MISCELLANEOUS DETAILS		RENOVATE MENTAL HEALTH UNITS	
100% CONSTRUCTION DOCUMENTS	Drawn BWS III	Building Number	AutoCAD File Name
FULLY SPRINKLERED	Checked	Reviewed	Const. Contract No.

Date	Project Number	Drawing No.
February 10, 2017	509-12-104	AE502

