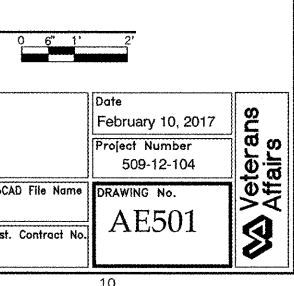
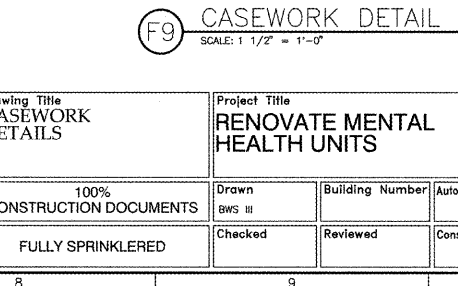
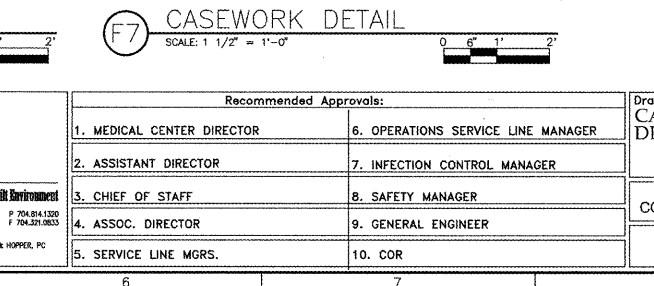
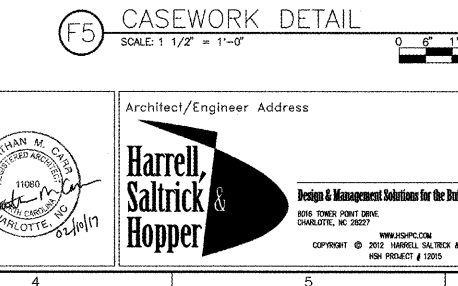
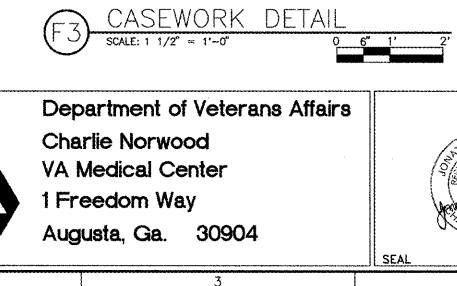
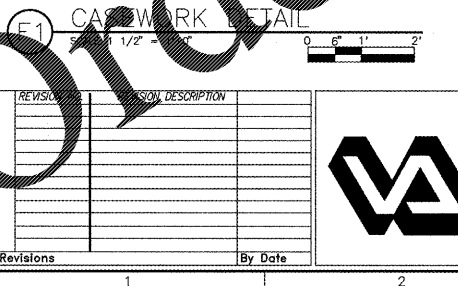
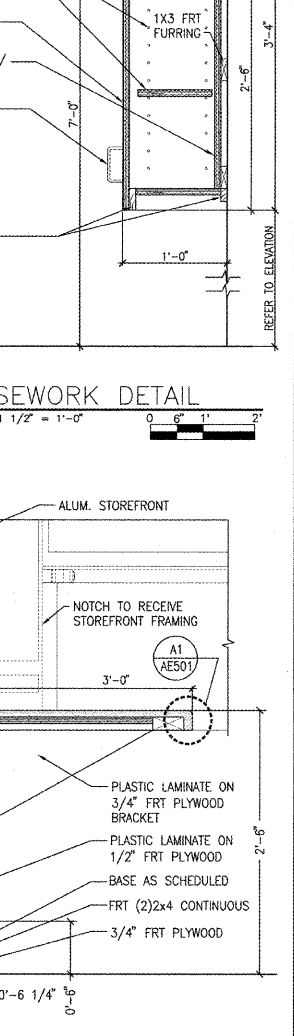
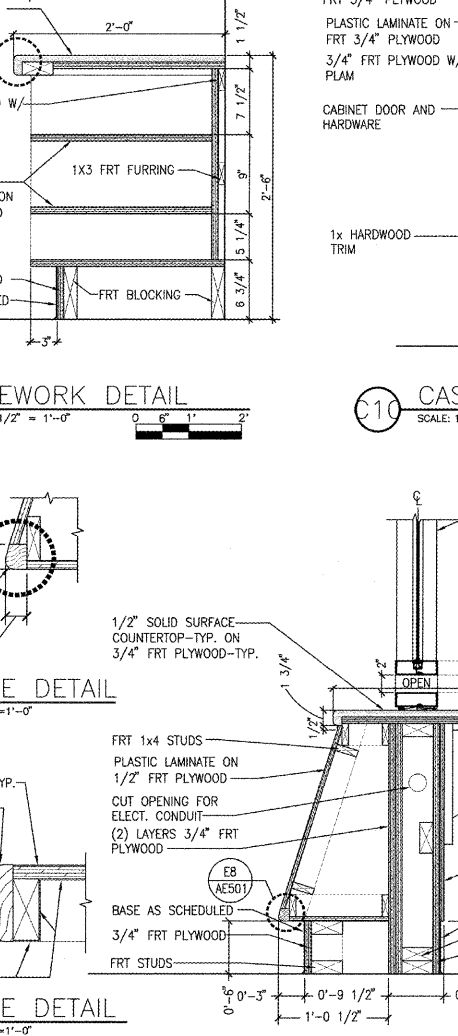
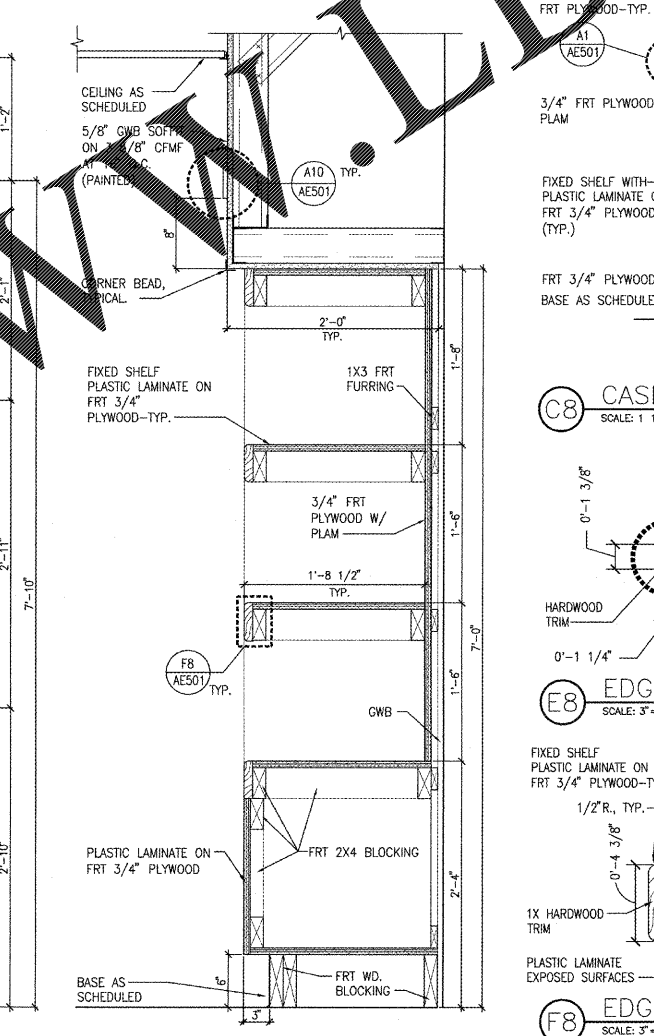
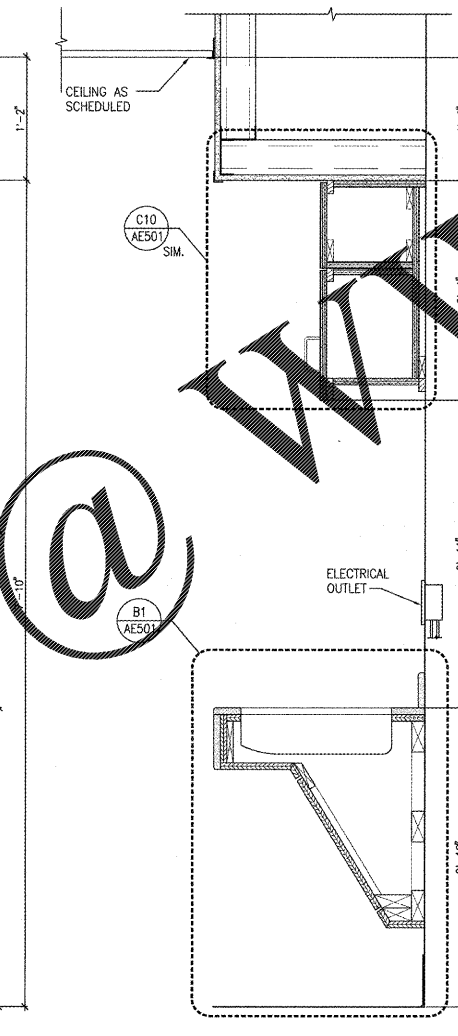
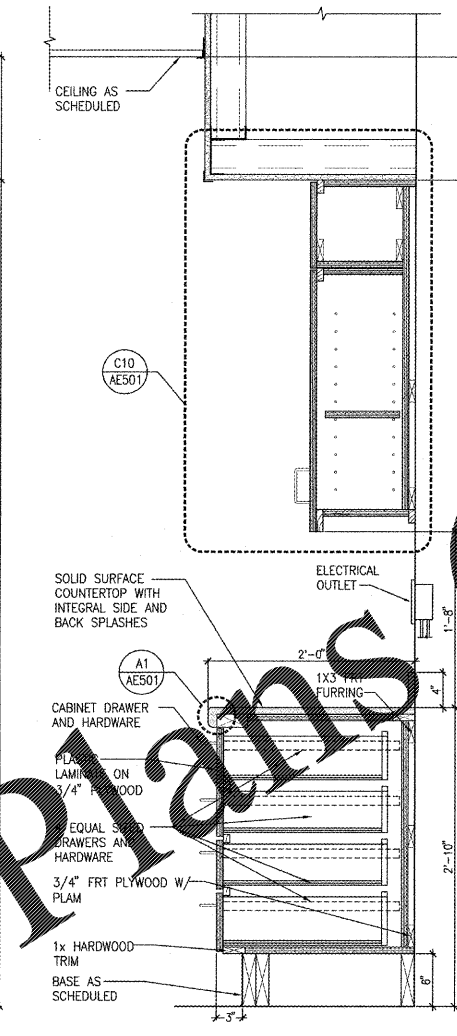
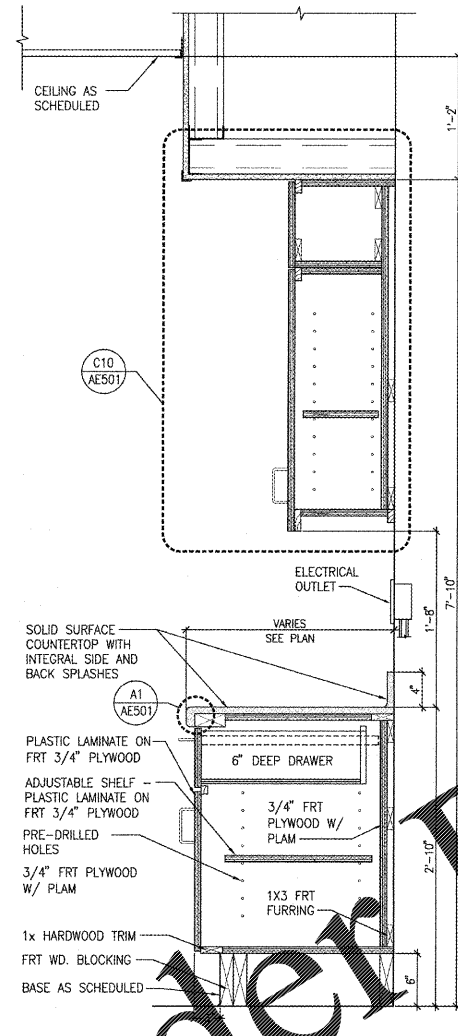
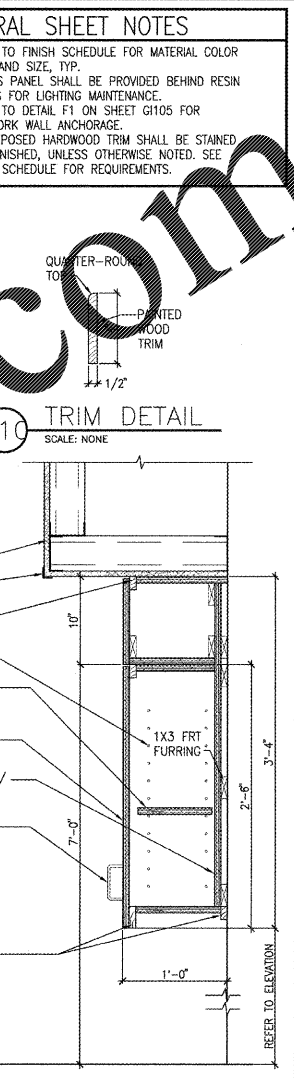
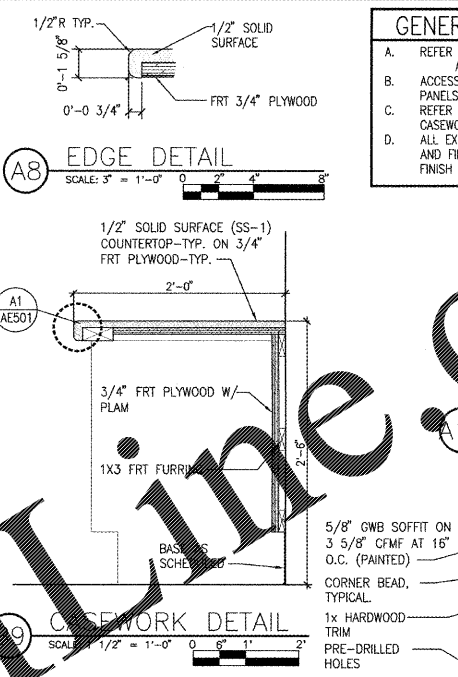
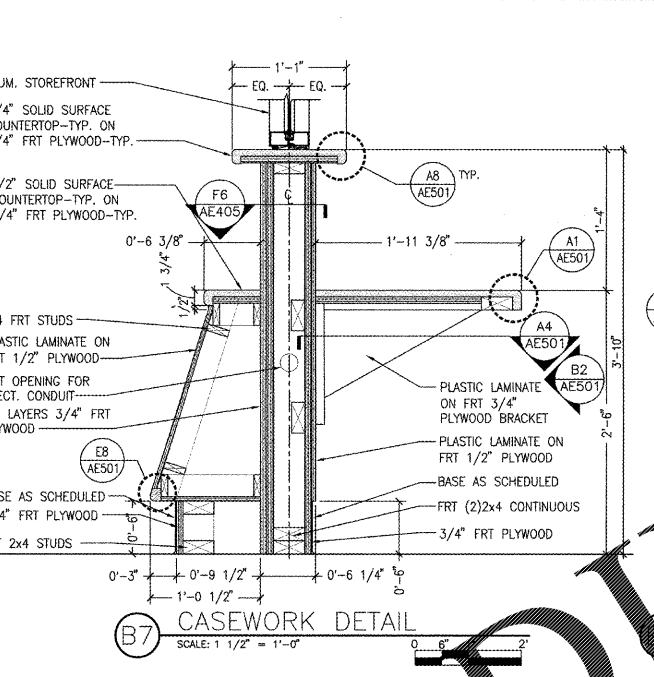
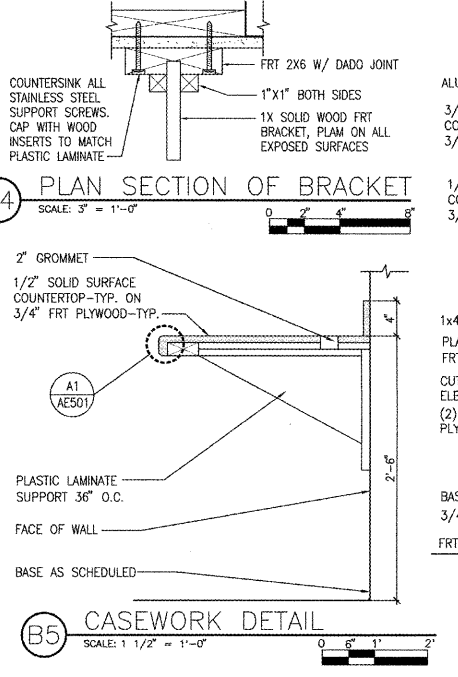
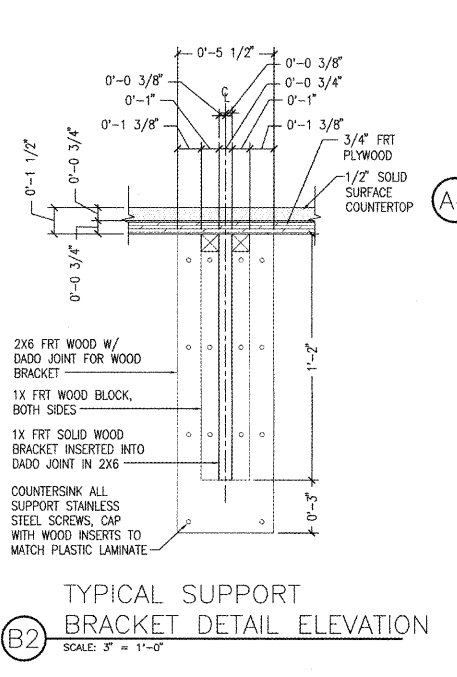
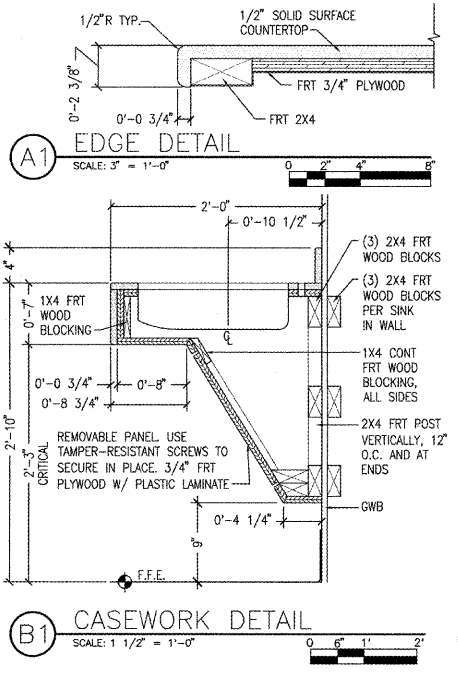


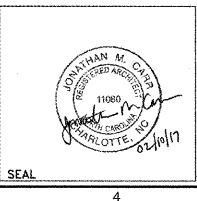
**GENERAL SHEET NOTES**

- REFER TO FINISH SCHEDULE FOR MATERIAL COLOR AND SIZE, TYP.
- ACCESS PANEL SHALL BE PROVIDED BEHIND RESIN PANELS FOR LIGHTING MAINTENANCE.
- REFER TO DETAIL F1 ON SHEET GH105 FOR CASEWORK WALL ANCHORAGE.
- ALL EXPOSED HARDWOOD TRIM SHALL BE STAINED AND FINISHED, UNLESS OTHERWISE NOTED. SEE FINISH SCHEDULE FOR REQUIREMENTS.



REVISION	DESCRIPTION	DATE

Department of Veterans Affairs  
**Charlie Norwood**  
 VA Medical Center  
 1 Freedom Way  
 Augusta, Ga. 30904



Architect/Engineer Address  
**Harrell, Saltrick & Hopper**  
 Design & Management Solutions for the Built Environment  
 805 TOWER POINT DRIVE, CHARLOTTE, NC 28227  
 WWW.HSHFIRM.COM  
 P 704.844.1300 F 704.321.0633  
 COPYRIGHT © 2012 HARRELL, SALTRICK & HOPPER, PC  
 HSH PROJECT # 12015

Recommended Approvals:	
1. MEDICAL CENTER DIRECTOR	6. OPERATIONS SERVICE LINE MANAGER
2. ASSISTANT DIRECTOR	7. INFECTION CONTROL MANAGER
3. CHIEF OF STAFF	8. SAFETY MANAGER
4. ASSOC. DIRECTOR	9. GENERAL ENGINEER
5. SERVICE LINE MGRS.	10. COR

Drawing Title		Project Title		Date	
CASEWORK DETAILS		RENOVATE MENTAL HEALTH UNITS		February 10, 2017	
100% CONSTRUCTION DOCUMENTS		Drawn BWS III	Building Number	AutocAD File Name	Project Number 509-12-104
FULLY SPRINKLERED		Checked	Reviewed	Const. Contract No.	DRAWING No. AE501

