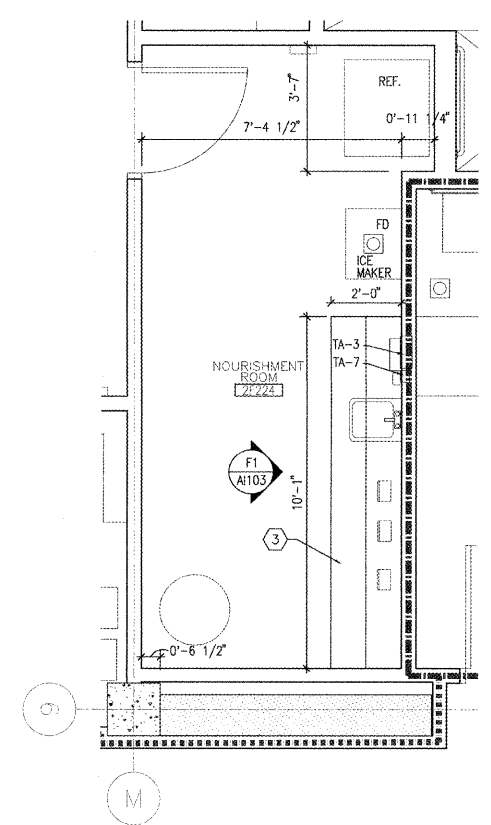
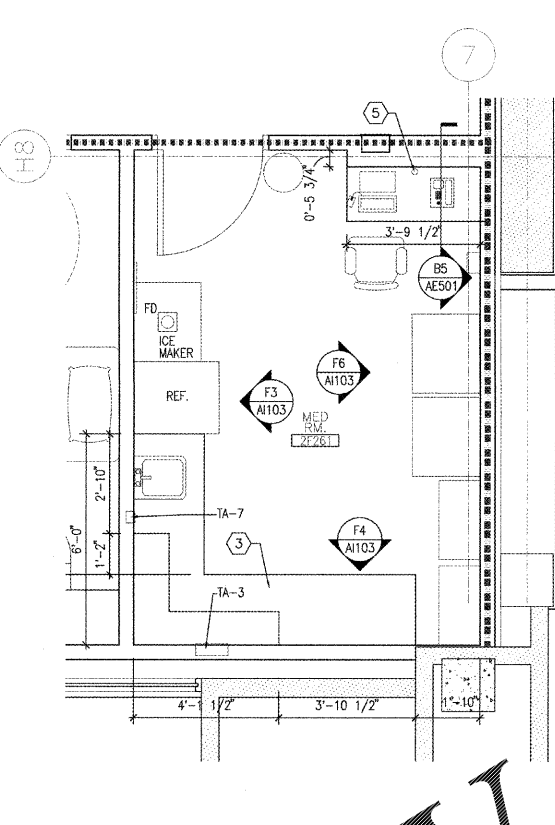


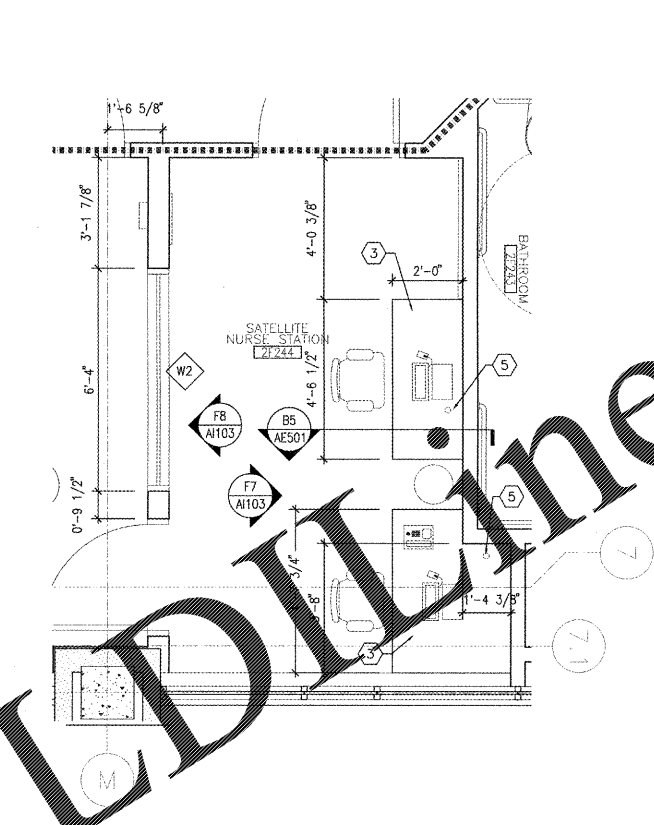
one eighth inch = one foot
 one quarter inch = one foot
 three eighths inch = one foot
 one half inch = one foot
 three quarters inch = one foot
 one inch = one foot
 one and one half inches = one foot
 two inches = one foot
 three inches = one foot



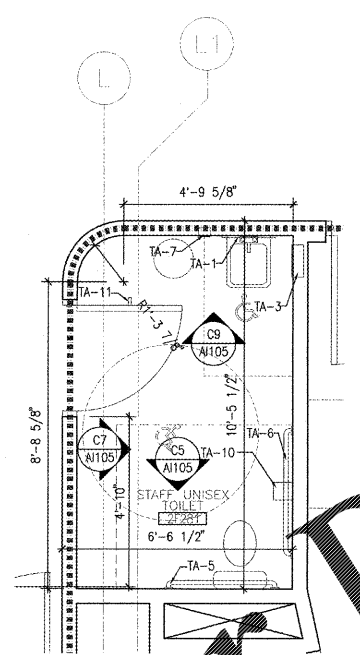
TYP. NOURISHMENT ROOM
 ENLARGED PLAN
 SCALE: 1/2" = 1'-0"



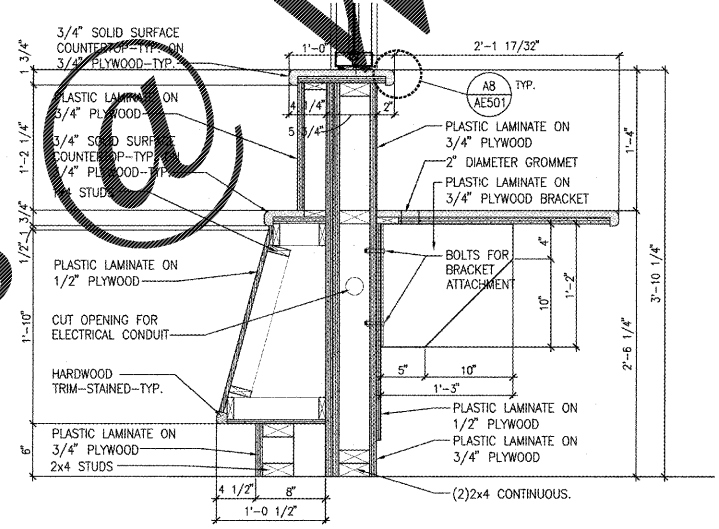
TYP. MEDICATION ROOM
 ENLARGED PLAN
 SCALE: 1/2" = 1'-0"



TYP. SATELLITE NURSE STATION
 ENLARGED PLAN
 SCALE: 1/2" = 1'-0"



STAFF UNISEX TOILETS AT
 "F" WING - ENLARGED PLAN
 SCALE: 1/2" = 1'-0"



NURSE STATION CASEWORK DETAIL
 SCALE: 1/2" = 1'-0"

GENERAL SHEET NOTES

- REFER TO SHEET AE401 FOR TOILET ACCESSORY SCHEDULE.
- ALL MANUFACTURES LISTED ARE FOR BASIS OF DESIGN ONLY.

SHEET KEYNOTES

- LOW WALL BELOW COUNTERTOP, TYP.
- NEW FLOOR EXPANSION JOIN CAP-SEE D6/AE502.
- SOLID SURFACE COUNTERTOP.
- RESIN VERTICAL PANEL WITH ALUM. FRAME.
- 2" GROMMET - TYP.
- NEW WALL EXP. JOINT CAP-SEE D8/AE502.

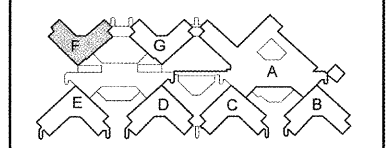
COORDINATION DRAWINGS

SEE COVER SHEET FOR COORDINATION NOTES.

SYMBOLS LEGEND

- EXISTING WALL, DOOR, WINDOW, MILLWORK, FIXTURE OR OTHER FIXTURE OR ASSEMBLY TO BE REMOVED.
- EXISTING WALL, DOOR, WINDOW, MILLWORK, FIXTURE OR OTHER FIXTURE OR ASSEMBLY TO REMAIN.
- NEW WALL
- SMOKE TIGHT WALL
- 2-HOUR FIRE/ SMOKE RATED WALL
- 1 HOUR FIRE RATED WALL
- 1 HOUR SMOKE BARRIER WALL
- PROJECT LIMITS OF WORK
- NO PIPING OR DUCTWORK SHALL BE ROUTED THROUGH ELECTRICAL AND/OR DATA ROOMS.
- EXISTING CONCRETE COLUMN

KEY PLAN



REVISION	DESCRIPTION	DATE

Department of Veterans Affairs
 Charlie Norwood
 VA Medical Center
 1 Freedom Way
 Augusta, Ga. 30904

Architect/Engineer Address
 Harrell, Saltrick & Hopper
 DESIGN & MANAGEMENT SOLUTIONS FOR THE HEALTH ENVIRONMENT
 8016 TOMER POINT DRIVE
 CHARLOTTE, NC 28227
 P 704.814.1330
 F 704.321.0833
 WWW.HSHPC.COM
 COPYRIGHT © 2012 HARRELL, SALTRICK & HOPPER, PC
 HSH PROJECT # 12015

Recommended Approvals:

1. MEDICAL CENTER DIRECTOR	6. OPERATIONS SERVICE LINE MANAGER
2. ASSISTANT DIRECTOR	7. INFECTION CONTROL MANAGER
3. CHIEF OF STAFF	8. SAFETY MANAGER
4. ASSOC. DIRECTOR	9. GENERAL ENGINEER
5. SERVICE LINE MGRS.	10. COR

Drawing Title
 TYPICAL ENLARGED PLANS
 100% CONSTRUCTION DOCUMENTS
 FULLY SPRINKLERED

Project Title
 RENOVATE MENTAL HEALTH UNITS
 Drawn: BWS III
 Building Number: []
 AutoCAD File Name: []
 Checked: []
 Reviewed: []
 Const. Contract No.: []

Date: February 10, 2017
 Project Number: 509-12-104
 DRAWING No.: AE403

