

GENERAL SHEET NOTES

- A. ALL MANUFACTURERS LISTED ARE FOR BASIS OF DESIGN ONLY.
- B. SEE SHEETS AF101 AND AF102 FOR CORRIDOR CORNER GUARDS.

SHEET KEYNOTES

- 1. LOW WALL BELOW COUNTERTOP, TYP.
- 2. NEW FLOOR EXPANSION JOIN CAP--SEE D6/AE502.
- 3. SOLID SURFACE COUNTERTOP.
- 4. RESIN VERTICAL PANEL WITH ALUM. FRAME.
- 5. BRACKET BELOW.
- 6. NEW WALL EXP. JOINT CAP--SEE D8/AE502.
- 7. RECESSED CORNER GUARD, REFER TO FIN. SCHEDULE.

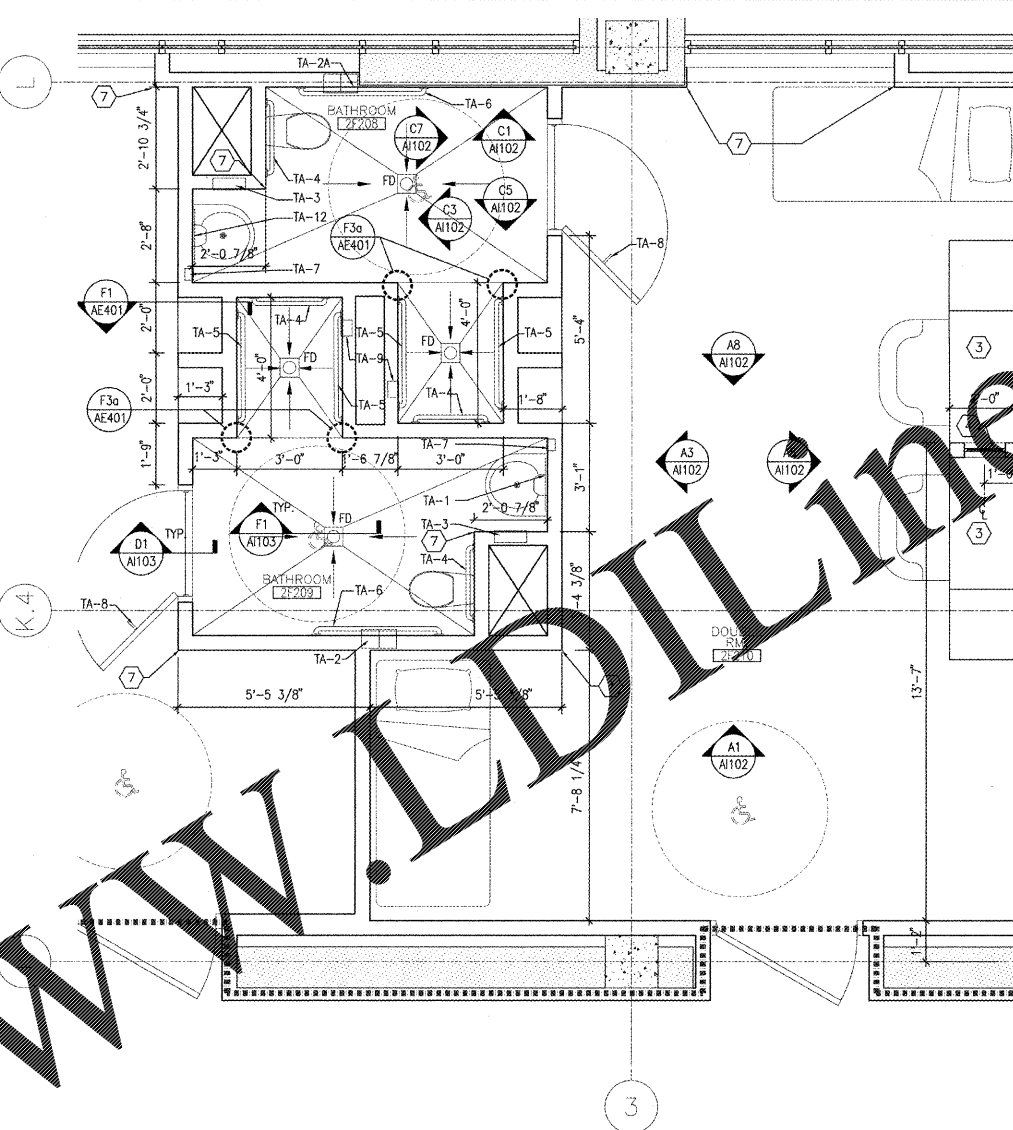
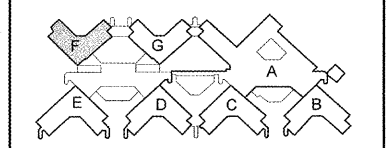
COORDINATION DRAWINGS

SEE COVER SHEET FOR COORDINATION NOTES.

SYMBOLS LEGEND

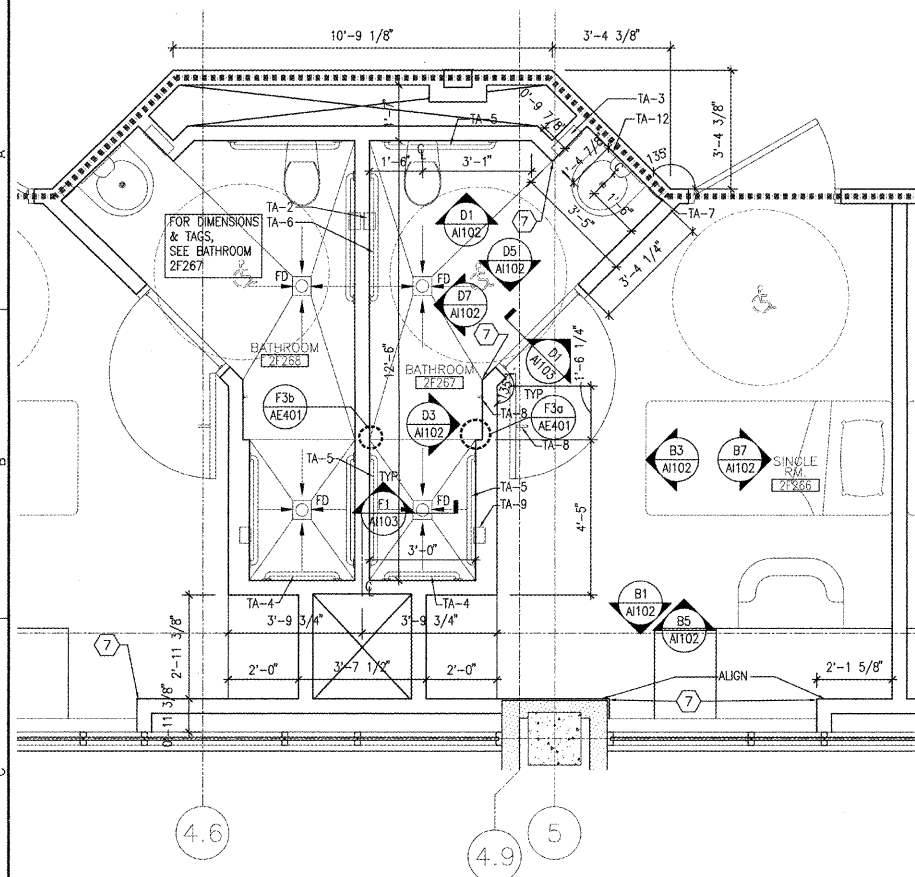
- EXISTING WALL, DOOR, WINDOW, MILLWORK, FIXTURE OR OTHER FIXTURE OR ASSEMBLY TO BE REMOVED.
- ==== EXISTING WALL, DOOR, WINDOW, MILLWORK, FIXTURE OR OTHER FIXTURE OR ASSEMBLY TO REMAIN.
- NEW WALL
- SMOKE TIGHT WALL
- 2-HOUR FIRE/ SMOKE RATED WALL
- 1 HOUR FIRE RATED WALL
- 1 HOUR SMOKE BARRIER WALL
- PROJECT LIMITS OF WORK
- NO PIPING OR DUCTWORK SHALL BE ROUTED THROUGH ELECTRICAL AND/OR DATA ROOMS.
- EXISTING CONCRETE COLUMN

KEY PLAN

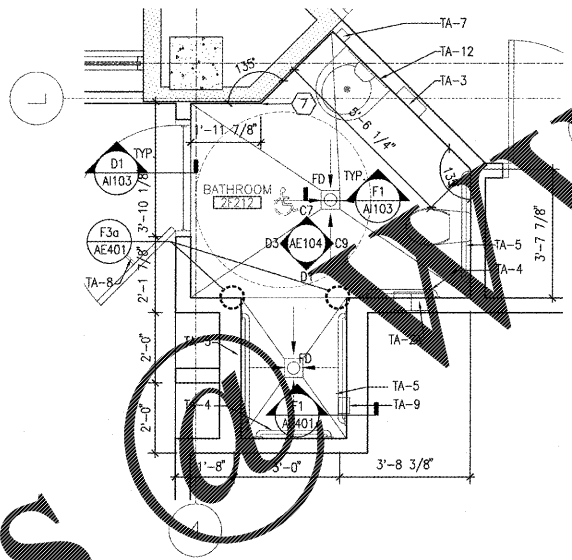


TYPICAL DOUBLE ROOM ENLARGED PLAN
SCALE: 1/2" = 1'-0"

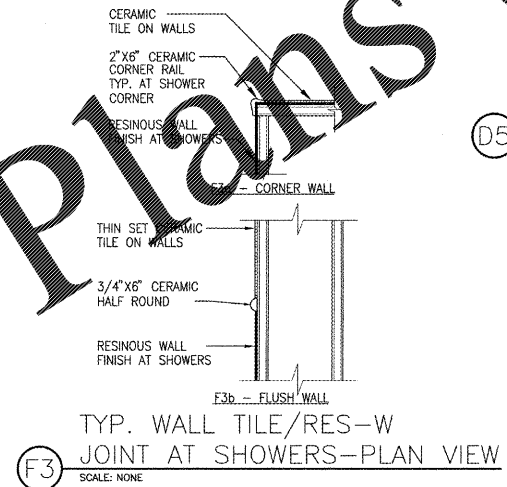
TOILET ACCESSORY SCHEDULE					
TA #	ITEM	BASIS OF DESIGN MANUFACTURER	SUPPLIED BY	INSTALLED BY	REMARKS
TA-1	STAINLESS STAIN FRAMED MIRROR, 36"x18"	AMERICAN SPECIALTIES 0600 ANGLE FRAME .18 GAUGE TYPE 304 STAINLESS STEEL WITH SATIN FINISH. GLAZING: TEMPERED LAMINATED	CONTRACTOR	CONTRACTOR	REAR MOUNTED
TA-2	TOILET TISSUE DISPENSER	EVANS & PAUL TP-201	CONTRACTOR	CONTRACTOR	ANTI-LIGATURE, RECESSED MOUNTED SINGLE ROLL
TA-2A	TOILET TISSUE DISPENSER	EVANS & PAUL TP-202	CONTRACTOR	CONTRACTOR	ANTI-LIGATURE, RECESSED MOUNTED DOUBLE ROLL
TA-3	PAPER TOWEL DISPENSER	BRADLEY 250-15	CONTRACTOR	CONTRACTOR	RECESSED MOUNTED
TA-4	SECURITY 24" GRAB BAR	BRADLEY SA70-001240	CONTRACTOR	CONTRACTOR	SURFACE MOUNTED
TA-5	SECURITY 36" GRAB BAR	BRADLEY SA70-001360	CONTRACTOR	CONTRACTOR	SURFACE MOUNTED
TA-6	SECURITY 42" GRAB BAR	BRADLEY SA70-001420	CONTRACTOR	CONTRACTOR	SURFACE MOUNTED
TA-7	LIQUID SOAP DISPENSER	GEORGIA PACIFIC-SKU52052	CONTRACTOR	CONTRACTOR	RECESSED MOUNTED
TA-8	COAT HOOK	BRADLEY SA36	CONTRACTOR	CONTRACTOR	ANTI-LIGATURE, SURFACE MOUNTED
TA-9	RECESSED SOAP DISH	INPRO-ENDURANCE	CONTRACTOR	CONTRACTOR	RECESSED-BIOPRISM SOLID SURFACE ARTIC L3001 (BLUE SCHEME) AND PUMICE L3002 (GREEN SCHEME)
TA-10	TOILET TISSUE DISPENSER	GEORGIA PACIFIC W56782	CONTRACTOR	CONTRACTOR	SURFACE MOUNTED
TA-11	COAT HOOK	BRADLEY 931	CONTRACTOR	CONTRACTOR	SURFACE MOUNTED
TA-12	MIRRORED POLYCARBONATE WITH S.S. FRAME, 36"x18"	AMERICAN SPECIALTIES 0600 ANGLE FRAME .18 GAUGE TYPE 304 STAINLESS STEEL WITH SATIN FINISH. GLAZING: PLASKOLITE PLASTICS, 0.118" (3mm) POLYCARBONATE	CONTRACTOR	CONTRACTOR	REAR MOUNTED



TYPICAL SINGLE ROOM ENLARGED PLAN
SCALE: 1/2" = 1'-0"



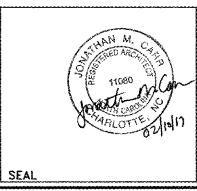
BATHROOM ENLARGED PLAN
SCALE: 1/2" = 1'-0"



TYP. WALL TILE/RESIN-W JOINT AT SHOWERS-PLAN VIEW
SCALE: NONE

REVISION	DESCRIPTION	DATE

Department of Veterans Affairs
Charlie Norwood
 VA Medical Center
 1 Freedom Way
 Augusta, Ga. 30904



Architect/Engineer Address
Harrell, Saltrick & Hopper
 Design & Management Solutions for the Built Environment
 8018 TOWER POINT DRIVE, CHARLOTTE, NC 28227
 P 704.814.1300 F 704.321.0833
 WWW.HSHFPC.COM
 COPYRIGHT © 2012 HARRELL, SALTRICK & HOPPER, PC
 HSH PROJECT # 1205

Recommended Approvals:	
1. MEDICAL CENTER DIRECTOR	6. OPERATIONS SERVICE LINE MANAGER
2. ASSISTANT DIRECTOR	7. INFECTION CONTROL MANAGER
3. CHIEF OF STAFF	8. SAFETY MANAGER
4. ASSOC. DIRECTOR	9. GENERAL ENGINEER
5. SERVICE LINE MGRS.	10. COR

Drawing Title
TYPICAL ENLARGED PLANS
 100%
 CONSTRUCTION DOCUMENTS
 FULLY SPRINKLERED

Project Title
RENOVATE MENTAL HEALTH UNITS
 Drawn BWS III
 Building Number
 AutocAD File Name
 Checked
 Reviewed
 Const. Contract No.

Date
 February 10, 2017
 Project Number
 509-12-104
 DRAWING No.
AE401

