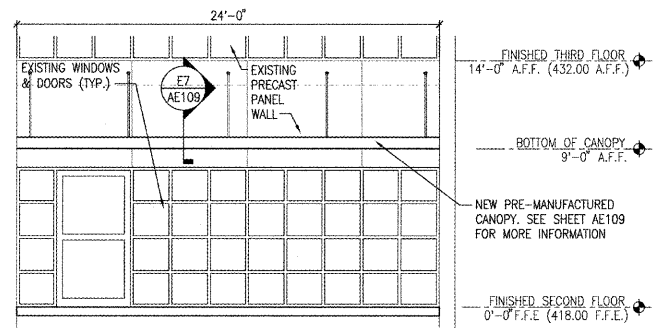
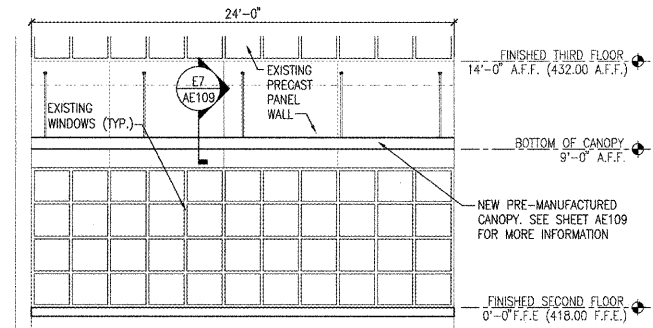


three inches = one foot
one and one half inches = one foot
one inch = one foot
three quarters inch = one foot
one half inch = one foot
three eighths inch = one foot
one quarter inch = one foot
one eighth inch = one foot



A1 EXTERIOR COURTYARD ELEVATION ("F" WING)
SCALE: 1/4" = 1'-0"



A4 EXTERIOR COURTYARD ELEVATION ("F" WING)
SCALE: 1/4" = 1'-0"

REVISION	REVISION DESCRIPTION

Department of Veterans Affairs
Charlie Norwood
VA Medical Center
1 Freedom Way
Augusta, Ga. 30904

Architect/Engineer Address

Harrell, Saltrick & Hopper
Design & Management Solutions for the Built Environment
1016 TOWER POINT DRIVE
CHARLOTTE, NC 28227
P 704.841.1300
F 704.321.9833
WWW.HSH.COM
COPYRIGHT © 2012 HARRELL, SALTRICK & HOPPER, PC
HSH PROJECT # 12015

Recommended Approvals:	
1. MEDICAL CENTER DIRECTOR	6. OPERATIONS SERVICE LINE MANAGER
2. ASSISTANT DIRECTOR	7. INFECTION CONTROL MANAGER
3. CHIEF OF STAFF	8. SAFETY MANAGER
4. ASSOC. DIRECTOR	9. GENERAL ENGINEER
5. SERVICE LINE MGRS.	10. COR

Drawing Title NEW "F" WING EXTERIOR COURTYARD ELEVATIONS		Project Title RENOVATE MENTAL HEALTH UNITS		Date February 10, 2017
100% CONSTRUCTION DOCUMENTS		Drawn BWS III	Building Number	AutoCAD File Name
FULLY SPRINKLERED		Checked	Reviewed	Const. Contract No.

Project Number 509-12-104	Drawing No. AE202
------------------------------	-----------------------------

