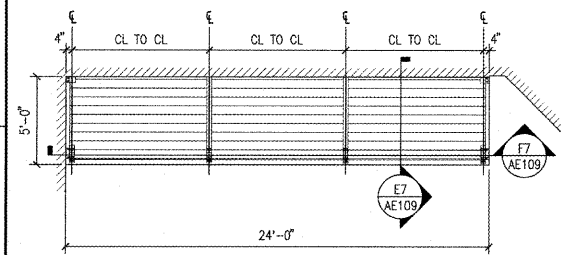
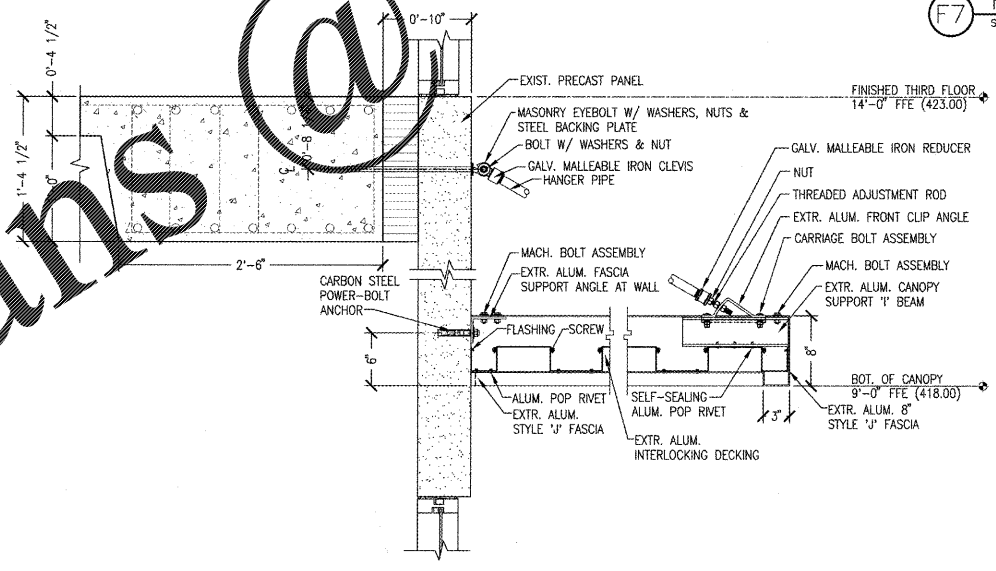


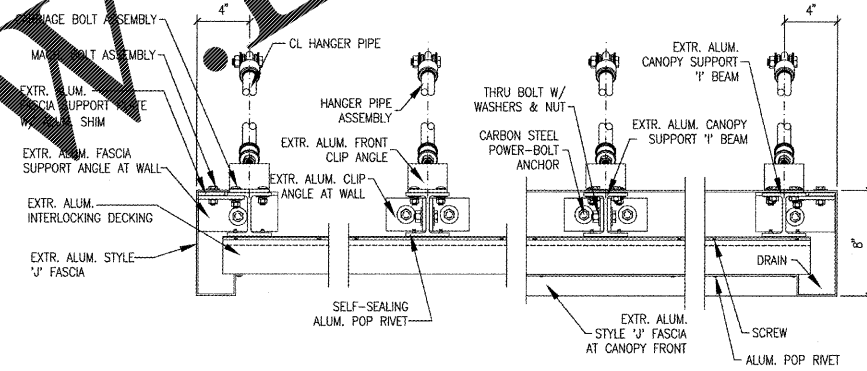
D1 "F" WING OUTDOOR COURTYARD FLOOR PLAN  
SCALE: 1/4" = 1'-0"



E1 "F" WING OUTDOOR COURTYARD CANOPY PLAN  
SCALE: 1/4" = 1'-0"



E7 PREMANUFACTURED CANOPY DETAIL  
SCALE: 1-1/2" = 1'-0"

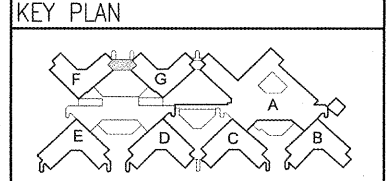


F7 PREMANUFACTURED CANOPY DETAIL  
SCALE: 1-1/2" = 1'-0"

- SHEET KEYNOTES
- CANOPY OUTLINE; SEE E1/AE109 FOR PLAN
  - CANOPY OUTLINE; SEE F1/AE109 FOR PLAN

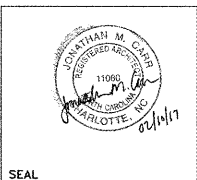
- COORDINATION DRAWINGS
- SEE COVER SHEET FOR COORDINATION NOTES.

- SYMBOLS LEGEND
- EXISTING WALL, DOOR, WINDOW, MILLWORK, FIXTURE OR OTHER FIXTURE OR ASSEMBLY TO BE REMOVED.
  - EXISTING WALL, DOOR, WINDOW, MILLWORK, FIXTURE OR OTHER FIXTURE OR ASSEMBLY TO REMAIN.
  - NEW WALL
  - SMOKE TIGHT WALL
  - 2-HOUR FIRE/ SMOKE RATED WALL
  - 1 HOUR FIRE RATED WALL
  - 1 HOUR SMOKE BARRIER WALL
  - PROJECT LIMITS OF WORK
  - NO PIPING OR DUCTWORK SHALL BE ROUTED THROUGH ELECTRICAL AND/OR DATA ROOMS.
  - EXISTING CONCRETE COLUMN



REVISION	DESCRIPTION	DATE

Department of Veterans Affairs  
**Charlie Norwood**  
 VA Medical Center  
 1 Freedom Way  
 Augusta, Ga. 30904



Architect/Engineer Address  
**Harrell, Saltrick & Hopper**  
 Design & Management Solutions for the Built Environment  
 2016 TOWER POINT DRIVE  
 CHARLOTTE, NC 28227  
 WWW.HSH-PC.COM  
 P 704.814.1300 F 704.321.0633  
 COPYRIGHT © 2012 HARRELL, SALTRICK & HOPPER, PC  
 HSH PROJECT # 12016

Recommended Approvals:

1. MEDICAL CENTER DIRECTOR	6. OPERATIONS SERVICE LINE MANAGER
2. ASSISTANT DIRECTOR	7. INFECTION CONTROL MANAGER
3. CHIEF OF STAFF	8. SAFETY MANAGER
4. ASSOC. DIRECTOR	9. GENERAL ENGINEER
5. SERVICE LINE MGRS.	10. COR

Drawing Title  
**"F" WING  
 OUTDOOR COURTYARD  
 DIMENSION  
 FLOOR PLAN**

100%  
 CONSTRUCTION DOCUMENTS

FULLY SPRINKLERED

Project Title  
**RENOVATE MENTAL  
 HEALTH UNITS**

Drawn  
 BWS III

Checked

Building Number

Reviewed

AutoCAD File Name

Const. Contract No.

Date  
 February 10, 2017

Project Number  
 509-12-104

DRAWING No.  
**AE109**

Veterans Affairs