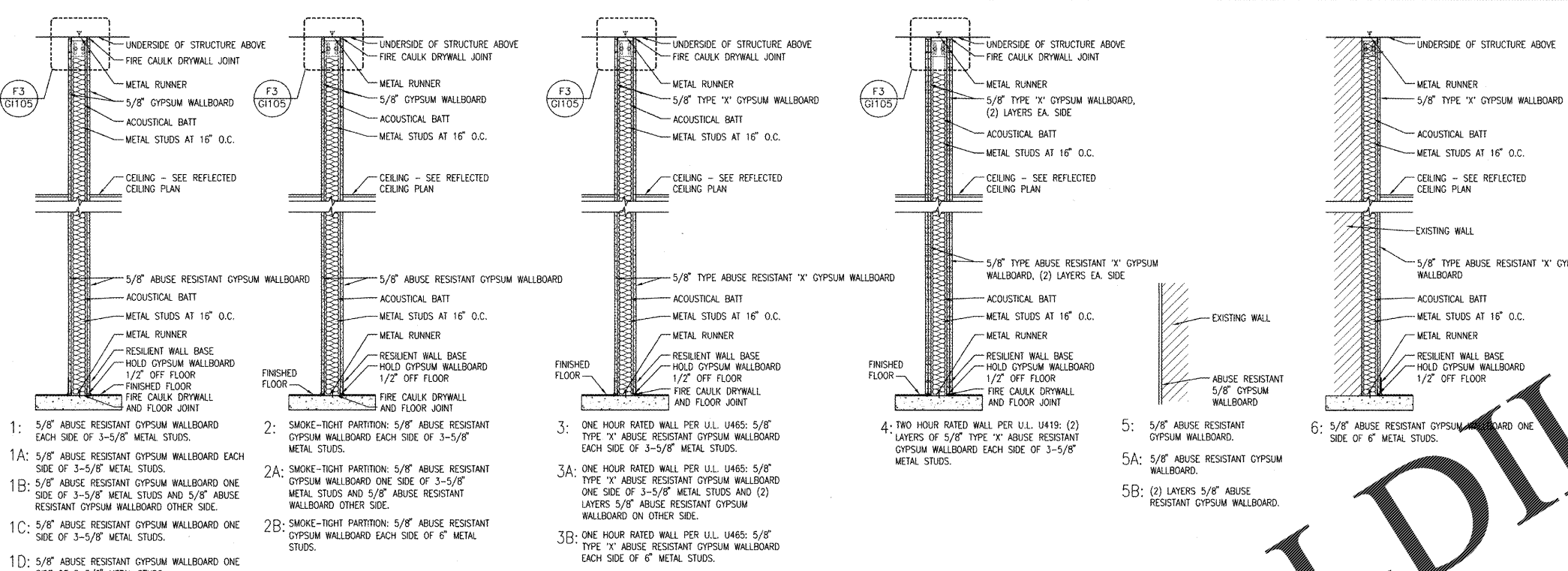
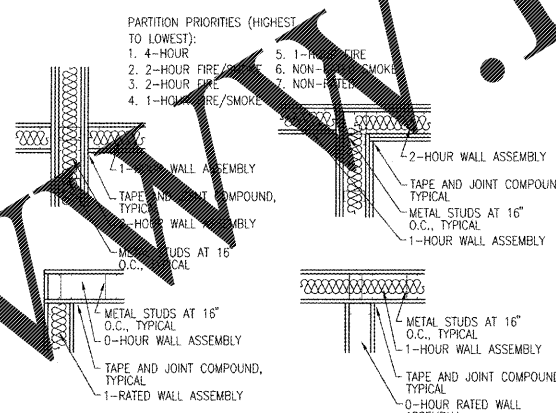


- ERECT PARTITIONS IN ORDER OF RATING PRIORITY BEGINNING WITH HIGHEST RATED PARTITION. CONSTRUCTION OF HIGHER RATED PARTITIONS SHALL BE CONTINUOUS PAST/THROUGH LOWER RATED INTERSECTING PARTITION.
- FOR RATED PARTITIONS INSTALL GYPSUM WALLBOARD STARTING AT UNDERSIDE OF STRUCTURE. INSTALL AS REQUIRED FIRE STOPPING AT PENETRATIONS AND EDGES PRIOR TO INSTALLATION OF DUCTWORK.
- MOISTURE RESISTANT GYPSUM BACKER BOARD SHALL BE USED BEHIND AND 2'-0" IN EACH DIRECTION FROM THE CENTERLINES OF ALL PLUMBING FIXTURES WHERE CERAMIC TILE IS SCHEDULED UNLESS OTHERWISE SPECIFIED.
- CONTRACTOR SHALL COORDINATE WITH MECHANICAL DUCTWORK PRIOR TO ERECTION OF PARTITIONS.
- SHOULD CONDITIONS OCCUR WHERE A WALL IS UNABLE TO GO STRAIGHT UP TO STRUCTURE DUE TO PIPING, DUCTWORK, ETC., THE PARTITION (GYPSUM BOARD AND FRAMING) MAY BE INSTALLED HORIZONTALLY TO AVOID THE PROBLEM. RATED PARTITION SHALL BE MAINTAINED.
- SEE PLANS FOR LOCATION OF SMOKE BARRIERS, SMOKE PARTITIONS, AND FIRE RATED PARTITIONS.
- CONTRACTOR SHALL BE RESPONSIBLE FOR PROVIDING FIRE AND SMOKE SEALED PENETRATIONS IN ACCORDANCE WITH TESTED AND APPROVED PENETRATION SEALING SYSTEM FOR THE PARTITION CONSTRUCTION / FIRE RATING AND THE PENETRATING ELEMENTS. SEE SPECIFICATIONS.
- CABLES PENETRATING RATED PARTITIONS (WITH OR WITHOUT SLEEVES) SHALL BE SECURED ON BOTH SIDES OF THE PARTITION. METHOD OF SECURING THE CABLES SHALL BE AS NECESSARY TO PRECLUDE ANY MOVEMENT OF THE CABLES DISTURBING THE INTEGRITY OF THE PENETRATION FIRE - STOPPING ASSEMBLY. SEE SPECIFICATIONS.
- REFER TO DRAWINGS FOR TYPICAL WALL FRAMING FOR FIRE DAMPERS IN RATED WALLS. COORDINATE EXACT FRAMING REQUIREMENTS WITH FIRE DAMPER MANUFACTURER. COORDINATE ALL PARTITION CONSTRUCTION WITH MECHANICAL PRIME CONTRACTOR. PRIOR TO COMMENCING PARTITION CONSTRUCTION, GENERAL CONTRACTOR SHALL OBTAIN FROM THE MECHANICAL CONTRACTOR THE PROPER INSTALLATION INSTRUCTIONS FOR ALL FIRE AND SMOKE DAMPERS AND SHALL PROVIDE THE REQUIRED METAL FRAMING, DRYWALL, ETC., ACCORDING TO THESE INSTRUCTIONS. INSTALLATION INSTRUCTIONS TO BE SUBMITTED TO THE ARCHITECT AND OWNER FOR REVIEW.
- FOR PARTITIONS NOTED INCLUDING ACOUSTICAL BATT, PROVIDE CONTINUOUS FIXED SEALANT AT INTERSECTIONS OF GYPSUM BOARD TO OTHER MATERIALS AND AT PENETRATIONS. OFFSET ALL OUTLET BOXES AND PROVIDE STUD BARRIERS BETWEEN PER GYPSUM ASSOCIATION PUBLICATION GA-600 - LATEST EDITION.
- PROVIDE 16 GAUGE METAL STUDS AT ALL PARTITION CORNERS, ENDS AND AT DOOR JAMB LOCATIONS.
- PROVIDE SEPARATION OF DISSIMILAR METALS IN ALL CONCEALED SPACES.
- ALL GYPSUM WALLBOARD SHALL BE ABUSE RESISTANT WITHOUT PAPER FACING.
- ADD (1) ONE ADDITIONAL LAYER 5/8" ABUSE RESISTANT DRYWALL TO BOTH SIDES OF STUD IN THE FOLLOWING ROOMS FOR "F" WING:
  - A. ALL OFFICES
  - B. GROUP ROOMS
  - C. LAUNDRY
  - D. OBSERVATION
  - E. TRIAGE
  - F. TREATMENT ROOMS.

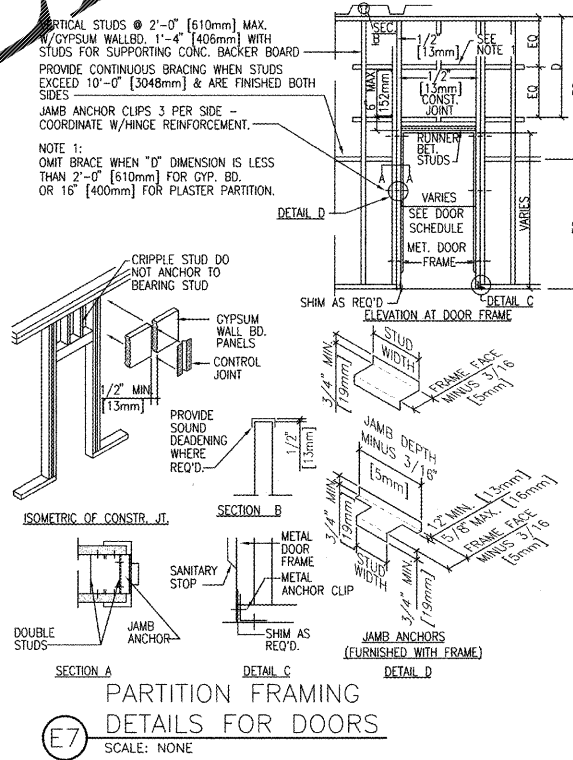


- 5/8" ABUSE RESISTANT GYPSUM WALLBOARD EACH SIDE OF 3-5/8" METAL STUDS.
- SMOKE-TIGHT PARTITION: 5/8" ABUSE RESISTANT GYPSUM WALLBOARD EACH SIDE OF 3-5/8" METAL STUDS.
- ONE HOUR RATED WALL PER U.L. U465: 5/8" TYPE 'X' ABUSE RESISTANT GYPSUM WALLBOARD EACH SIDE OF 3-5/8" METAL STUDS.
- TWO HOUR RATED WALL PER U.L. U419: (2) LAYERS OF 5/8" TYPE 'X' ABUSE RESISTANT GYPSUM WALLBOARD EACH SIDE OF 3-5/8" METAL STUDS.
- 5/8" ABUSE RESISTANT GYPSUM WALLBOARD.
- 5/8" ABUSE RESISTANT GYPSUM WALLBOARD.
- 5/8" ABUSE RESISTANT GYPSUM WALLBOARD.
- 5/8" ABUSE RESISTANT GYPSUM WALLBOARD.
- 5/8" ABUSE RESISTANT GYPSUM WALLBOARD.
- 5/8" ABUSE RESISTANT GYPSUM WALLBOARD.
- 5/8" ABUSE RESISTANT GYPSUM WALLBOARD.
- 5/8" ABUSE RESISTANT GYPSUM WALLBOARD.
- (2) LAYERS 5/8" ABUSE RESISTANT GYPSUM WALLBOARD ON OBSERVATION ROOM SIDE OF 3-5/8" METAL STUDS AND 5/8" ABUSE RESISTANT GYPSUM WALLBOARD ON OTHER SIDE.
- (2) LAYERS 5/8" ABUSE RESISTANT GYPSUM WALLBOARD ON ONE SIDE OF 3-5/8" METAL STUDS.

C1 PARTITION TYPES  
SCALE: 1" = 1'-0"

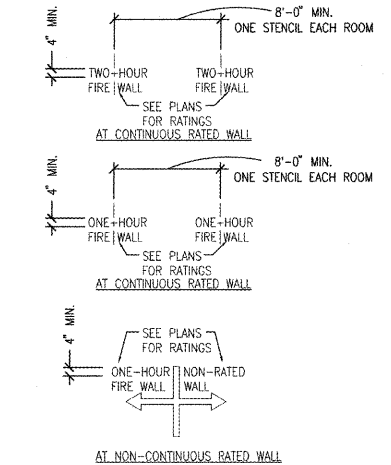


D7 PARTITION PRIORITIES  
SCALE: NONE

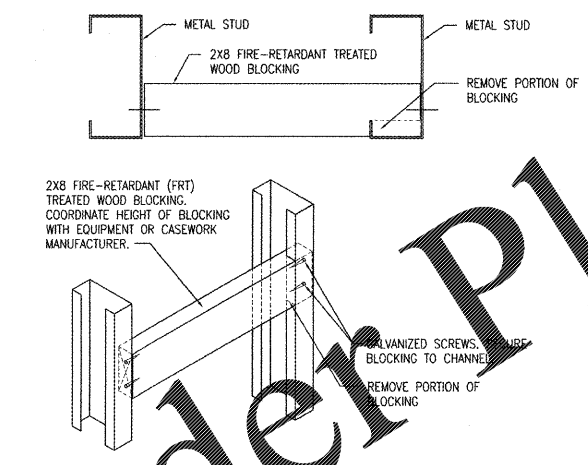


E7 PARTITION FRAMING DETAILS FOR DOORS  
SCALE: NONE

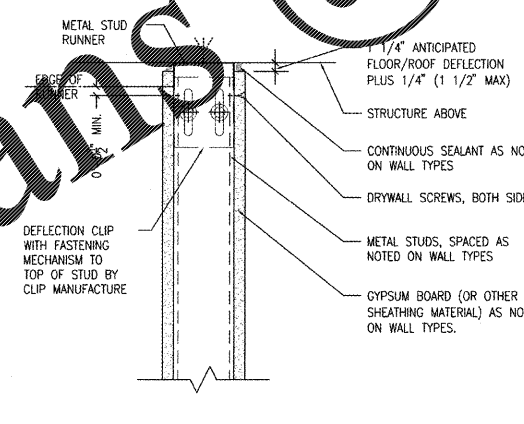
F8 PARTITION BRACING DETAIL  
SCALE: NONE



F9 WALL RATING STENCIL  
SCALE: NONE



F3 ANCHOR DETAIL  
SCALE: NONE



F7 TYPICAL PARTITION FRAMING  
SCALE: NONE

F3 TYPICAL PARTITION HEAD  
1 1/4" DEFLECTION MAX  
SCALE: 3" = 1'-0"

REVISION	DESCRIPTION	DATE

Department of Veterans Affairs  
**Charlie Norwood**  
 VA Medical Center  
 1 Freedom Way  
 Augusta, Ga. 30904

Architect/Engineer Address  
  
**Harrell, Saltrick & Hopper**  
 Design & Management Solutions for the Built Environment  
 1016 TOWER POINT DRIVE CHARLOTTE, NC 28227 P 704.854.1220 F 704.321.0633  
 WWW.HSH.COM  
 COPYRIGHT © 2012 HARRELL, SALTRICK & HOPPER, PC  
 HSH PROJECT # 12015

Recommended Approvals:	
1. MEDICAL CENTER DIRECTOR	6. OPERATIONS SERVICE LINE MANAGER
2. ASSISTANT DIRECTOR	7. INFECTION CONTROL MANAGER
3. CHIEF OF STAFF	8. SAFETY MANAGER
4. ASSOC. DIRECTOR	9. GENERAL ENGINEER
5. SERVICE LINE MGRS.	10. COR

Drawing Title		Project Title		Date
TYPICAL FRAMING DETAILS AND PARTITION TYPES		RENOVATE MENTAL HEALTH UNITS		February 10, 2017
100% CONSTRUCTION DOCUMENTS		Drawn	Building Number	Project Number
FULLY SPRINKLERED		BWS III		509-12-104
		Checked	Reviewed	AutoCAD File Name
				Const. Contract No.

DRAWING No.  
**GI105**

