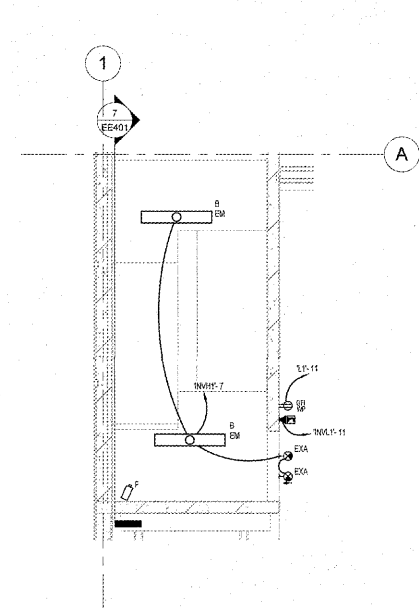


GENERAL NOTES

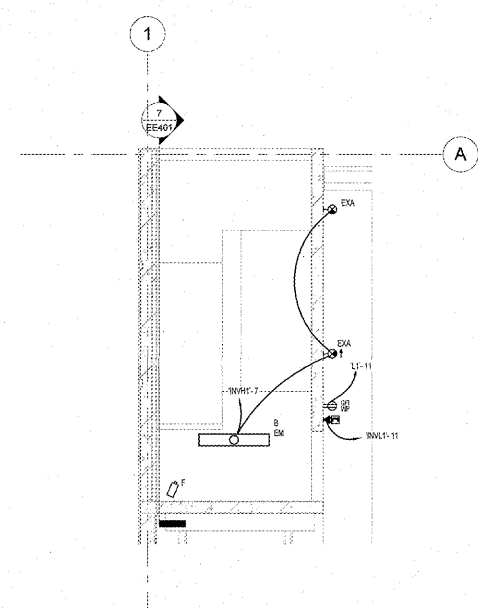
KEYED NOTES

- 4x6x1/4" TOBB OF PINE/RED WOOD WITH FIRE RATING LABEL (TYP)
- 17' CABLE LADDER, 7'-0" APP MIN. VERTICAL LENGTHS AT TOBB (TYP)
- IT RACK PER DETAIL 25E9502
- SECURITY SYSTEM RACK PER DETAIL 25E9502
- 2" SLEEVES THROUGH WALL
- LIGHTING CONTRACTOR FOR LEVEL 4 POLE LIGHTS PER DETAIL A69591 - PHOTOCELL SENSORS ON EX-102 NORTH WALL
- PROVIDE RELAY WITH 27V COIL TO SWITCH EXHAUST FAN WITH LIGHTING IN STORAGE ROOM
- TELCO CORDS STUB-UPS. SEE SHEET EE0102 FOR CONTINUANCE
- CONNECT DOOR CONTACT(S) TO PANEL AUXILIARY CONTACT FOR MONITORING ONLY.

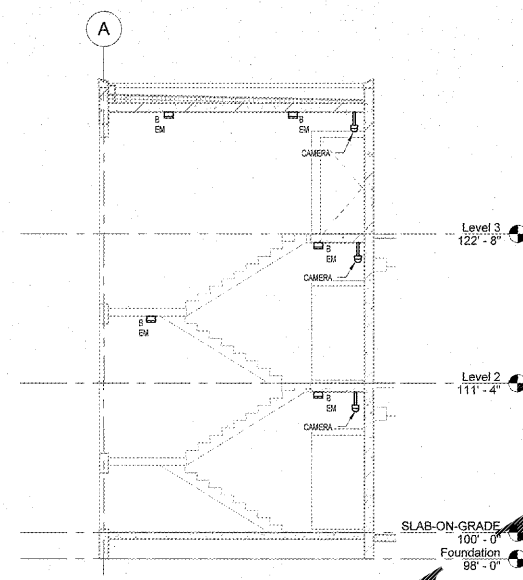
WWW.LDOnline.com



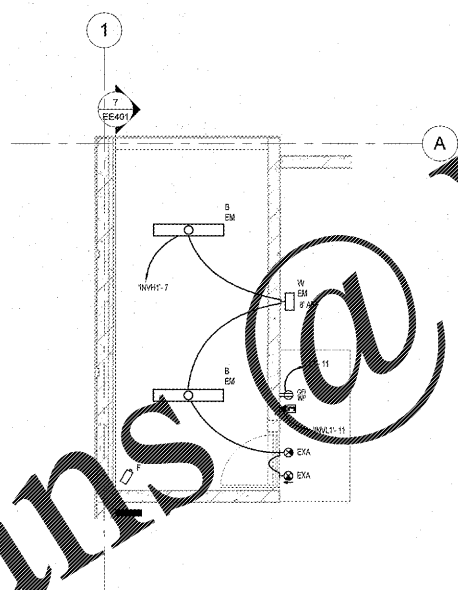
3 LEVEL 2 WEST STAIRS
1/4" = 1'-0"



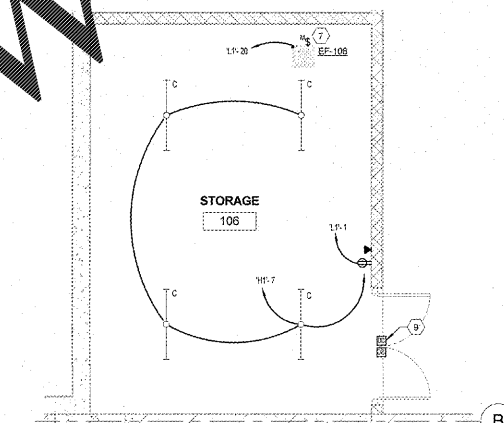
2 LEVEL 1 WEST STAIRS
1/4" = 1'-0"



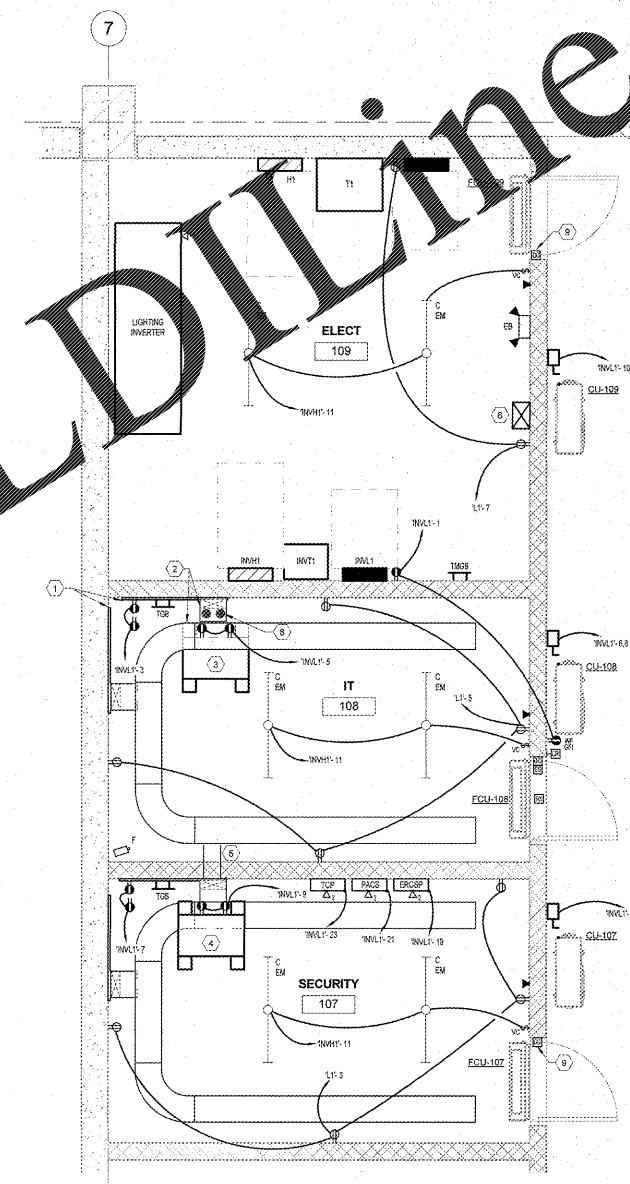
7 WEST STAIR SECTION
3/16" = 1'-0"



LEVEL 3 WEST STAIRS
1/4" = 1'-0"



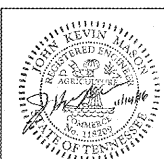
6 STORAGE ROOM ENLARGEMENT
1/4" = 1'-0"



1 EQUIPMENT ROOMS ENLARGEMENT
3/8" = 1'-0"

Revisions:	Date:

VA U.S. Department of Veterans Affairs
MEMPHIS VAMC
1030 JEFFERSON AVE, MEMPHIS, TN 38104



ARCHITECT/ENGINEERS:
PROJECT LEAD Architect, Structural Engineer, Civil Engineer
GUIDON DESIGN
805 N. CAPITOL AVE, SUITE 100 INDIANAPOLIS, IN 46204
317.806.6396 WWW.GUIDONDESIGN.COM
SUSTAINABLE ARCHITECTURE + ENGINEERING

MEP Engineer
APOGEE CONSULTING GROUP
1151 Kildaire Farm Rd. Suite 120 Cary, NC 27511
Tel: 919-858-7420

Functional Design
CARL WALKER INC.
3211 Internet Blvd., Suite 220 Frisco, TX 75034
Tel: 469-777-5143

BID SET
Drawing Title: ELECTRICAL ENLARGEMENTS
Approved for Design Concept: FACILITY MANAGEMENT DIVISION MANAGER

Project Title: CONSTRUCT PARKING GARAGE ON WEST LOT
Location: MEMPHIS, TN
Date: 11/14/2016
Checked By: JKM
Drawn By: SCB

Project Number: 15-412
Drawing Number: EE401

OFFICE OF FACILITIES MANAGEMENT
VA Project Number: 614-319
VA U.S. Department of Veterans Affairs