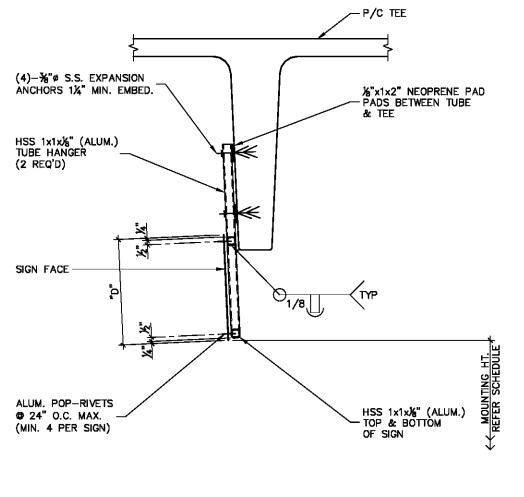
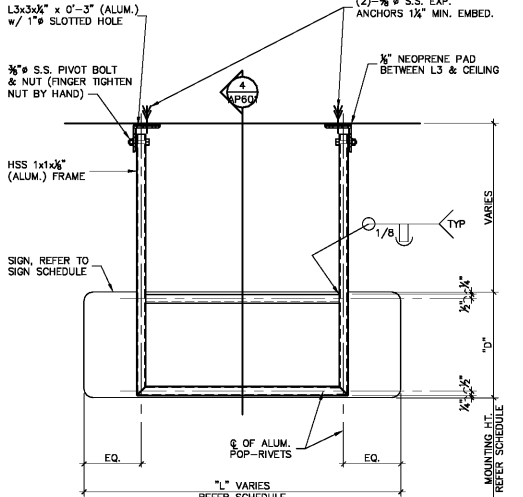


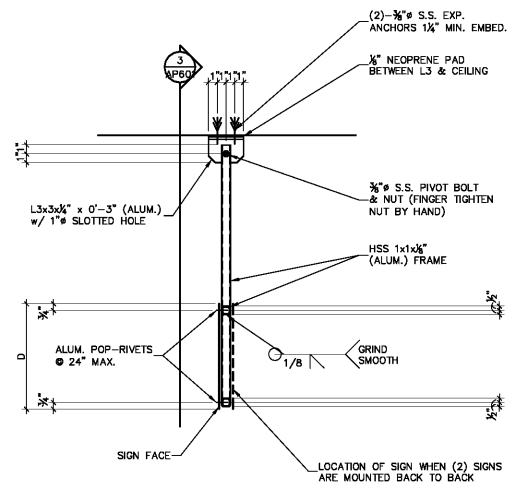
1 SIGN MOUNTING DETAIL
3'-1'-0" GSM015



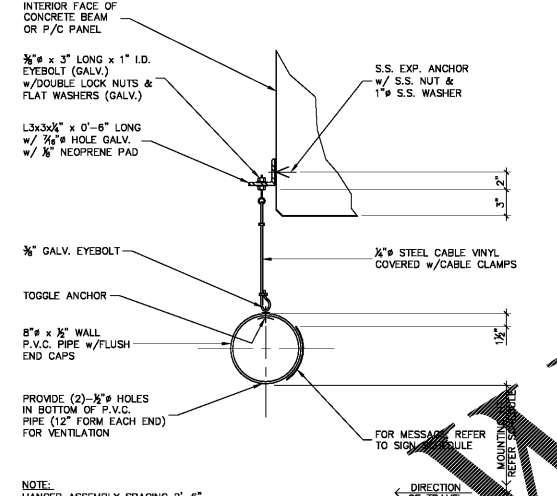
2 SIGN MOUNTING DETAIL
1 1/2'-1'-0" GSM017



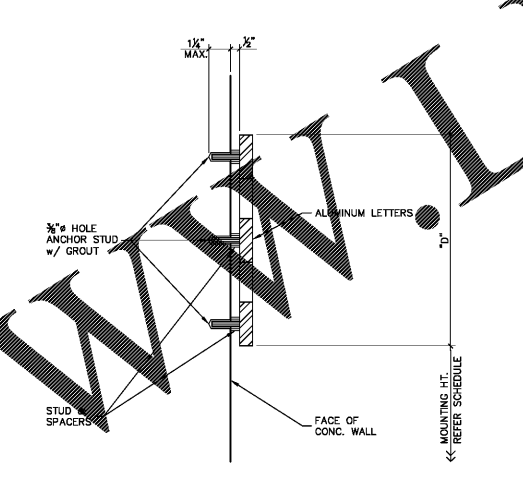
3 SIGN MOUNTING DETAIL
1 1/2'-1'-0" GSM018



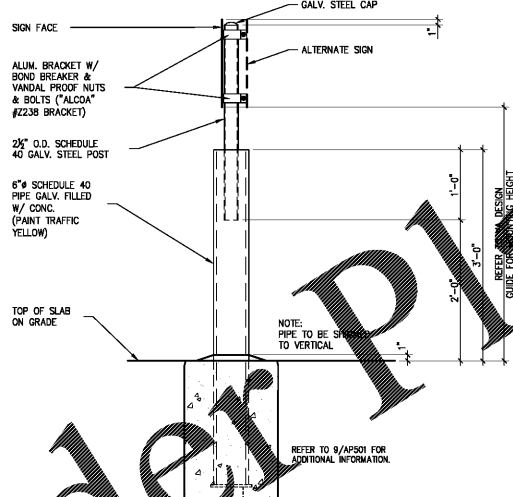
4 SIGN MOUNTING DETAIL
1 1/2'-1'-0" GSM019



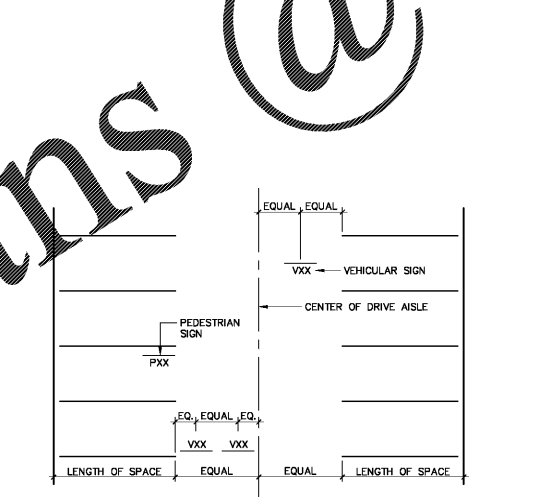
5 SIGN MOUNTING DETAIL
1 1/2'-1'-0" GSM005



6 SIGN MOUNTING DETAIL
3'-1'-0" GSM004



7 BOLLARD/SIGN MOUNTING DETAIL
1'-1'-0" GSM020



8 SIGN LOCATION DETAIL
NOT TO SCALE

MARK	SIGN MESSAGE	VA SIGN TYPE	REMARKS
ENTRANCE/EXIT SIGNS			
E1	Entrance	EM-06.01	MOUNTING TYPE G, SIMILAR
E2	Exit	EM-06.01	MOUNTING TYPE G, SIMILAR
E3	8'-2" Clearance 8'-2"	PS-09.01	PVC TYPE SIGN
E4	DO NOT ENTER	PS-09.01	PVC TYPE SIGN
VEHICULAR SIGNS			
V1	Park	PS-01.02	
V2	Park	PS-01.02	
V3	Park	PS-01.02	
V4	Exit	PS-01.02	
V5	Exit	PS-01.02	
V6	Exit	PS-01.02	
V7	Exit	PS-01.02	
V8	Exit	PS-01.02	
V9	Motorcycle Parking	PS-01.02	
V10	Motorcycle Parking	PS-01.02	
V11	DO NOT ENTER	PS-01.02	
	Yield	PS-01.02	
PEDESTRIAN SIGNS			
P1	Level "X"	PS-05.02	
P2	In Case of Fire, Do Not Use Elevator...	IN-01.04	
P3	Stair "X", Level "X"	PS-03.01B	
P4	Elevators	PS-01.02	
P5	Elevators	PS-01.02	
P6	Elevators	PS-01.02	
P7	Stair	PS-01.02	
P8	Stair Elevators	PS-01.02	
P9	Stair Elevators	PS-01.02	
P10	Stair	PS-01.02	
P11	Pedestrian Exit	PS-01.02	
P12	Pedestrian Exit	PS-01.02	
P13	No Pedestrians in Entry / Exit Lanes	PS-04.01	1'-6" x 2'-0"
REGULATORY SIGNS			
R1	No Parking	PS-04.01	
BUILDING SIGNS			
B1	Stairs (BRILLE)	IN-04.02 SIMILAR	
B2	Elevators (BRILLE)	IN-04.02 SIMILAR	
B3	Storage (BRILLE)	IN-04.02 SIMILAR	ROOM # - 106
B4	Security (BRILLE)	IN-04.02 SIMILAR	ROOM # - 107
B5	IT (BRILLE)	IN-04.02 SIMILAR	ROOM # - 108
B6	Electrical (BRILLE)	IN-04.02 SIMILAR	ROOM # - 109
B7	Elevator Machine Room (BRILLE)	IN-04.02 SIMILAR	ROOM # - 110

MARK	MOUNTING TYPE	MOUNTING HEIGHT	VA SIGN MOUNTING DETAIL	SIGN MOUNTING DETAIL	REMARKS
A	VERTICAL SURFACE MOUNT	5'-0"	PS INSTALLATION DETAIL 4	1/AP601	WALL OR COLUMN MOUNTED
B	VERTICAL SURFACE MOUNT	8'-4"	PS INSTALLATION DETAIL 3	2/AP601	TEE STEM MOUNTED
C	HANGING MOUNT	8'-4"	PS CONSTRUCTION DETAIL 5	3 & 4/AP601	SWING FRAME W/ NO BANG BAR
D	HANGING MOUNT	8'-2"	PS INSTALLATION DETAIL 1	5/AP601	PVC PIPE
E	VERTICAL SURFACE MOUNT	-	-	6/AP601	CAST ALUM LETTERS
F	POST MOUNT	5'-0"	-	7/AP601	BOLLARD/POST

- SHEET NOTES**
- SIGNAGE TO BE DESIGNED IN CONJUNCTION WITH THE VA DESIGN GUIDE - "PARKING LOTS AND PARKING STRUCTURES SIGNAGE".
 - COLOR CODING OF SIGNAGE WILL PER VA PARKING SIGN GUIDELINES. REFER TO COLOR CHART BELOW. SIGNAGE SHALL BE PLACED AS SHOWN IN PLANS. FOR ADDITIONAL ASSISTANCE IN LOCATING SIGNAGE REFER TO DETAIL SIGN MOUNTING SCHEDULE.
 - GARAGE COLOR CODING BY LEVEL IS AS FOLLOWS:
LEVEL 1 = SW 6651 "PAPAYA"
LEVEL 2 = SW 6608 "RAVE RED"
LEVEL 3 = SW 6925 "NAVY"
 - COORDINATE WITH VA MEDICAL CENTER COR TO CONFIRM COLORS USED FOR EACH LEVEL.
 - INSTALL SIGNS PLUMB AND LEVEL.

BID SET			
Drawing Title SIGN SCHEDULE AND SIGNAGE DETAILS	Project Title CONSTRUCT PARKING GARAGE ON WEST LOT	A/E Project Number 15.1067	OFFICE OF FACILITIES MANAGEMENT
Approved for Design Concept FACILITY MANAGEMENT DIVISION MANAGER	Location MEMPHIS, TN	Building Number	VA Project Number 614-319
Date 11/14/2016	Checked By GAW	Drawn By DEB	Drawing Number AP601

one eighth inch = one foot
one quarter inch = one foot
one half inch = one foot
three eighths inch = one foot
one inch = one foot
one and one half inches = one foot
two inches = one foot
three inches = one foot
four inches = one foot
five inches = one foot
six inches = one foot
seven inches = one foot
eight inches = one foot
nine inches = one foot
ten inches = one foot
eleven inches = one foot
twelve inches = one foot
thirteen inches = one foot
fourteen inches = one foot
fifteen inches = one foot
sixteen inches = one foot
seventeen inches = one foot
eighteen inches = one foot
nineteen inches = one foot
twenty inches = one foot
twenty one inches = one foot
twenty two inches = one foot
twenty three inches = one foot
twenty four inches = one foot
twenty five inches = one foot
twenty six inches = one foot
twenty seven inches = one foot
twenty eight inches = one foot
twenty nine inches = one foot
thirty inches = one foot
thirty one inches = one foot
thirty two inches = one foot
thirty three inches = one foot
thirty four inches = one foot
thirty five inches = one foot
thirty six inches = one foot
thirty seven inches = one foot
thirty eight inches = one foot
thirty nine inches = one foot
forty inches = one foot
forty one inches = one foot
forty two inches = one foot
forty three inches = one foot
forty four inches = one foot
forty five inches = one foot
forty six inches = one foot
forty seven inches = one foot
forty eight inches = one foot
forty nine inches = one foot
fifty inches = one foot
fifty one inches = one foot
fifty two inches = one foot
fifty three inches = one foot
fifty four inches = one foot
fifty five inches = one foot
fifty six inches = one foot
fifty seven inches = one foot
fifty eight inches = one foot
fifty nine inches = one foot
sixty inches = one foot
sixty one inches = one foot
sixty two inches = one foot
sixty three inches = one foot
sixty four inches = one foot
sixty five inches = one foot
sixty six inches = one foot
sixty seven inches = one foot
sixty eight inches = one foot
sixty nine inches = one foot
seventy inches = one foot
seventy one inches = one foot
seventy two inches = one foot
seventy three inches = one foot
seventy four inches = one foot
seventy five inches = one foot
seventy six inches = one foot
seventy seven inches = one foot
seventy eight inches = one foot
seventy nine inches = one foot
eighty inches = one foot
eighty one inches = one foot
eighty two inches = one foot
eighty three inches = one foot
eighty four inches = one foot
eighty five inches = one foot
eighty six inches = one foot
eighty seven inches = one foot
eighty eight inches = one foot
eighty nine inches = one foot
ninety inches = one foot
ninety one inches = one foot
ninety two inches = one foot
ninety three inches = one foot
ninety four inches = one foot
ninety five inches = one foot
ninety six inches = one foot
ninety seven inches = one foot
ninety eight inches = one foot
ninety nine inches = one foot
one hundred inches = one foot

VA U.S. Department of Veterans Affairs
MEMPHIS VAMC
1030 JEFFERSON AVE MEMPHIS, TN 38104

ARCHITECT/ENGINEERS:
PROJECT LEAD Architect, Structural Engineer, Civil Engineer
GUIDON DESIGN
505 N. CAPITOL AVE. SUITE 100 INDIANAPOLIS, IN 46204
317.800.6388 WWW.GUIDONDESIGN.COM
SUSTAINABLE ARCHITECTURE + ENGINEERING

MEP Engineer APOGEE CONSULTING GROUP
1151 Kildaire Farm Rd. Suite 120 Cary, NC 27511
Tel: 919-858-7420

Functional Design CARL WALKER INC.
3211 Internet Blvd., Suite 220 Frisco, TX 75034
Tel: 469-777-5143

Drawing Title: SIGN SCHEDULE AND SIGNAGE DETAILS
Project Title: CONSTRUCT PARKING GARAGE ON WEST LOT
Location: MEMPHIS, TN
Date: 11/14/2016
Checked By: GAW
Drawn By: DEB
Approved for Design Concept: FACILITY MANAGEMENT DIVISION MANAGER

Order Plans @