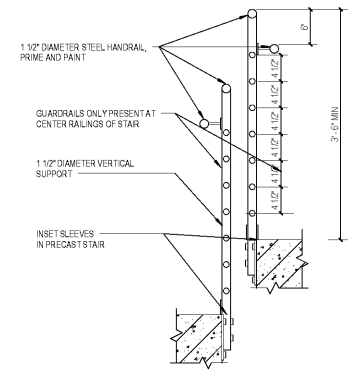
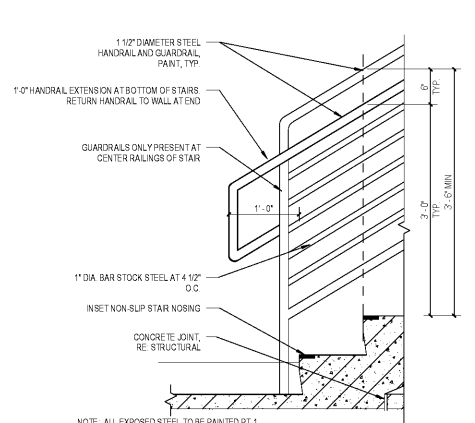


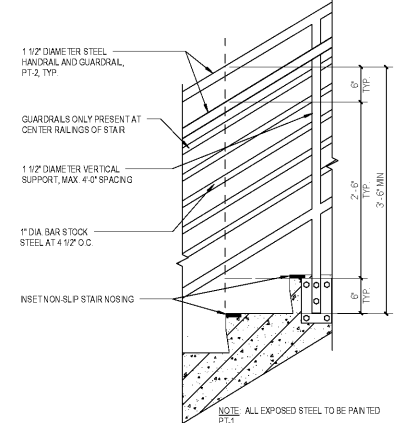
one eighth inch = one foot
 one quarter inch = one foot
 one half inch = one foot
 three eighths inch = one foot
 one inch = one foot
 one and one half inches = one foot
 two inches = one foot
 three inches = one foot
 four inches = one foot
 five inches = one foot
 six inches = one foot
 seven inches = one foot
 eight inches = one foot
 nine inches = one foot
 ten inches = one foot
 eleven inches = one foot
 twelve inches = one foot



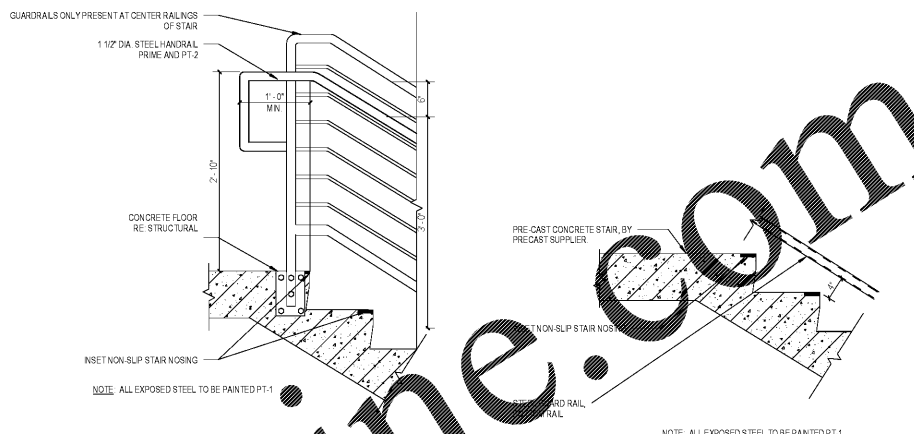
1 STAIR GUARDRAIL, - TYP.
 SCALE: 1/4" = 1'-0"



1 STAIR BASE - HANDRAIL & GUARDRAIL, - TYP.
 SCALE: 1/4" = 1'-0"

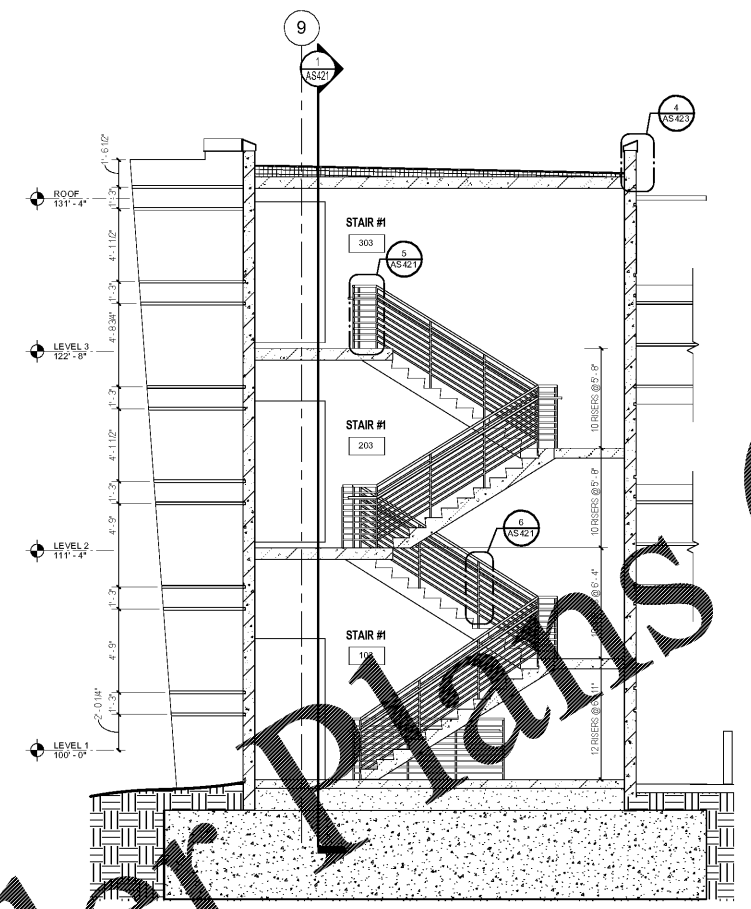


1 STAIR DETAIL - HANDRAIL & GUARDRAIL, - TYP.
 SCALE: 1/4" = 1'-0"

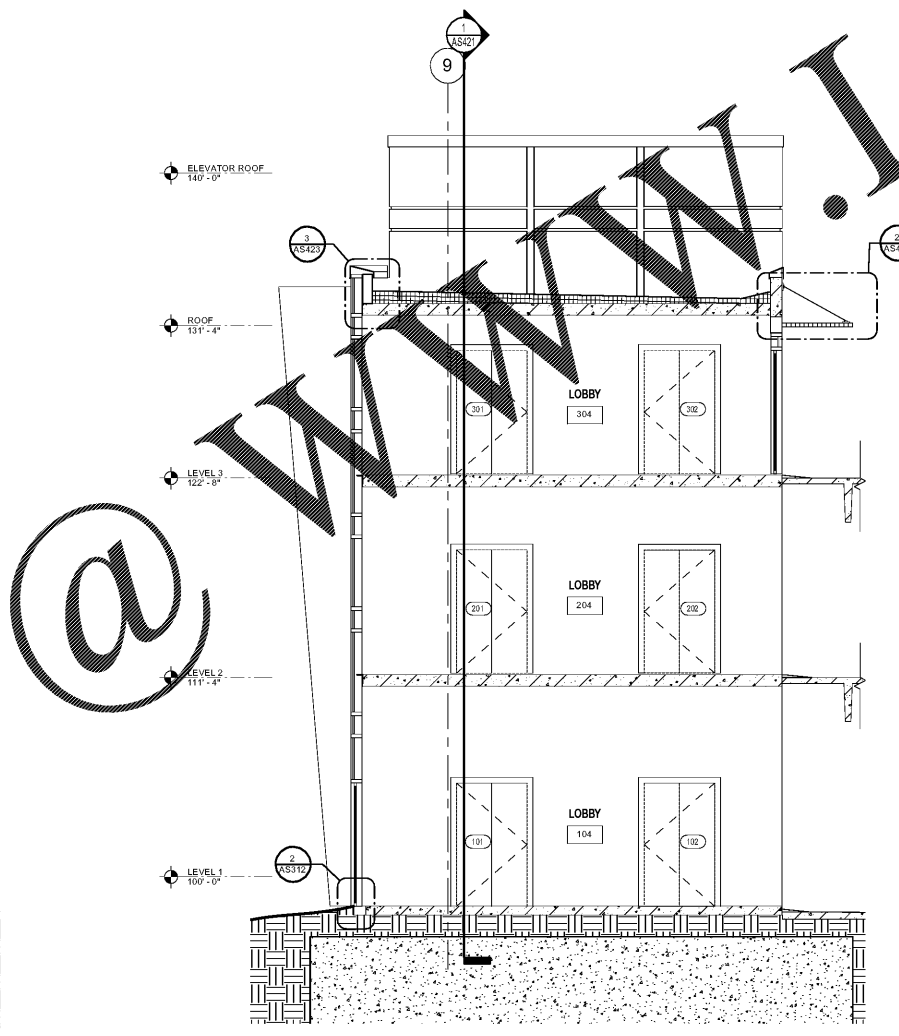


1 STAIR HEAD - HANDRAIL & GUARDRAIL, - TYP.
 SCALE: 1/4" = 1'-0"

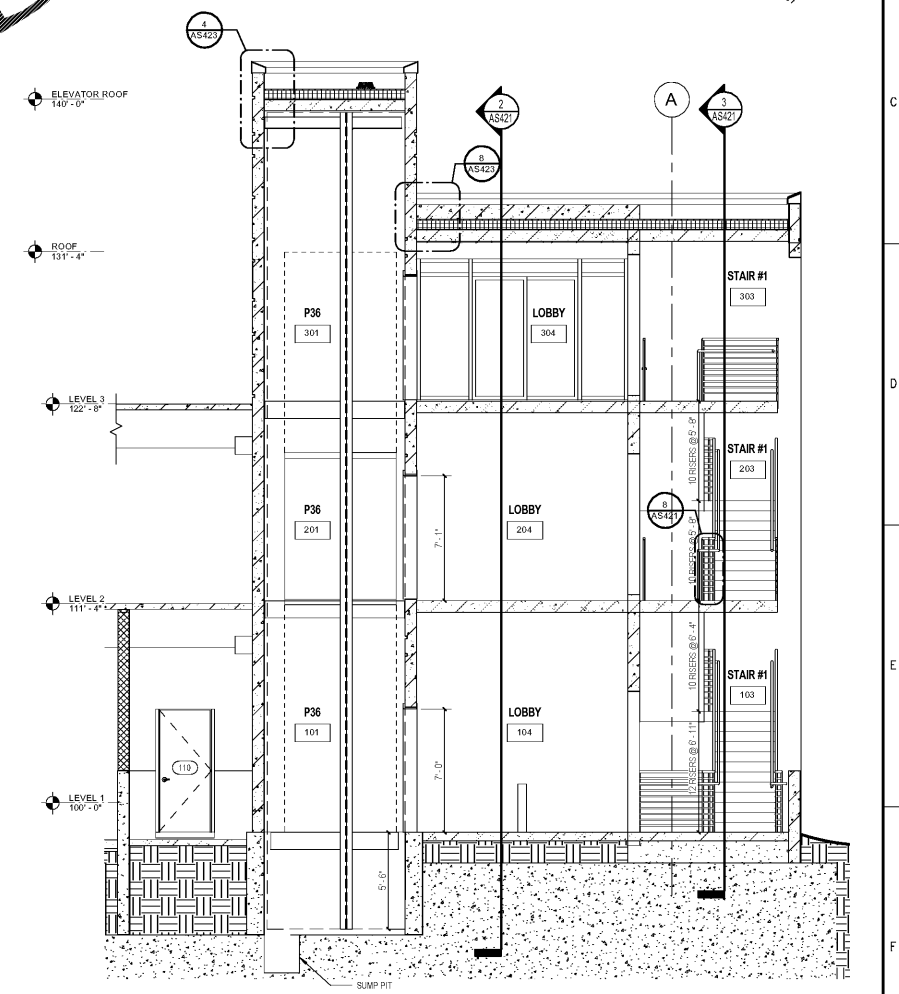
1 STAIR HEAD, - TYP.
 SCALE: 1/4" = 1'-0"



1 STAIR #1 TOWER ELEVATOR SECTION
 SCALE: 1/4" = 1'-0"

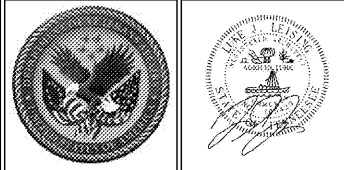


2 STAIR #1 TOWER ELEVATOR SECTION
 SCALE: 1/4" = 1'-0"



1 STAIR #1 TOWER ELEVATOR SECTION
 SCALE: 1/4" = 1'-0"

Order Plans



ARCHITECT/ENGINEERS:
PROJECT LEAD
 Architect, Structural Engineer, Civil Engineer
GUIDON DESIGN
 505 N. CAPITOL AVE. SUITE 100 INDIANAPOLIS, IN. 46204
 317.860.6388 WWW.GUIDONDESIGN.COM
 SUSTAINABLE ARCHITECTURE + ENGINEERING

MEP Engineer
 APOGEE CONSULTING GROUP
 1151 Kildaire Farm Rd. Suite 120 Cary, NC 27511
 Tele: 919-858-7420

Functional Design
 CARL WALKER INC.
 3211 Internet Blvd., Suite 220 Frisco, TX 75034
 Tele: 469-777-5143

Drawing Title STAIR SECTIONS		Project Title CONSTRUCT PARKING GARAGE ON WEST LOT		Project Number 15.1067		OFFICE OF FACILITIES MANAGEMENT	
Approved for Design Concept: FACILITY MANAGEMENT DIVISION MANAGER		Location MEMPHIS, TN		Building Number		VA Project Number 614-319	
Date 11/14/2016		Checked By: UJ		Drawing Number AS421		VA U.S. Department of Veterans Affairs	