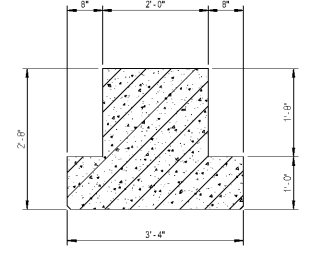
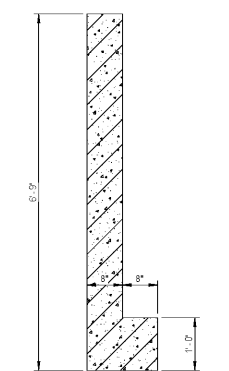


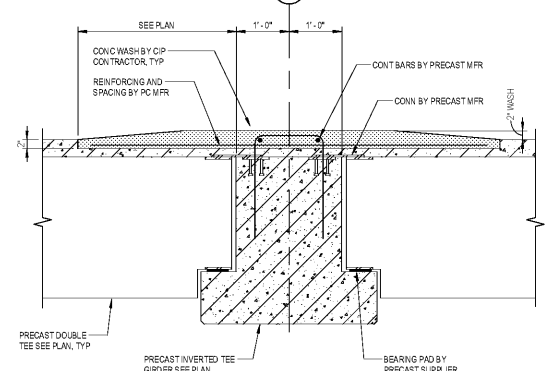
1 TYPICAL PRECAST PRE-TOPPED DOUBLE TEE  
SFR#1 SCALE: 3/4" = 1'-0"



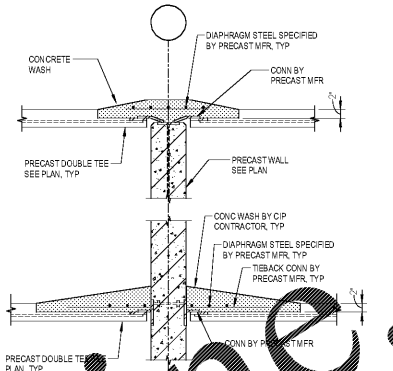
2 TYPICAL PRECAST INVERTED TEE BEAM  
SFR#1 SCALE: 3/4" = 1'-0"



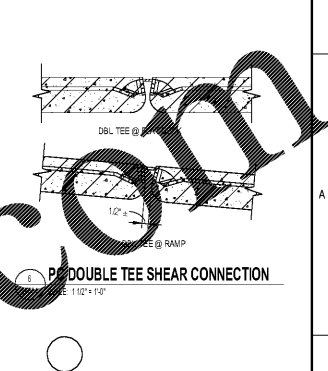
3 TYPICAL PC SPANREL BEAM  
SFR#1 SCALE: 3/4" = 1'-0"



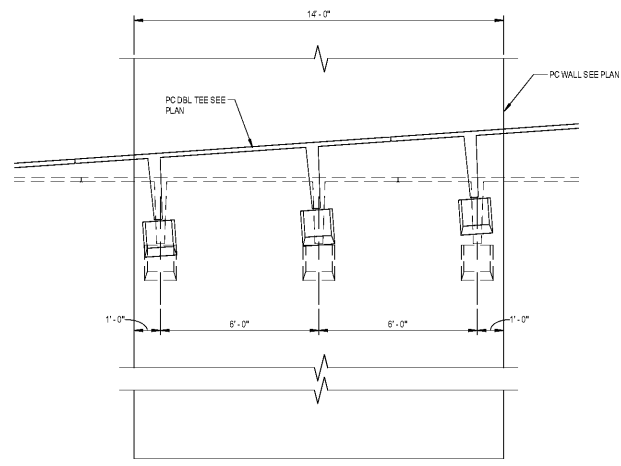
4 PRECAST DOUBLE TEE AT INVERTED TEE BEAM  
SFR#1 SCALE: 3/4" = 1'-0"



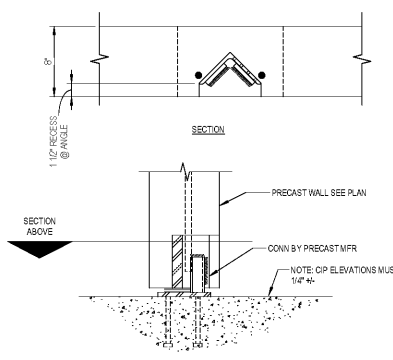
5 PC DOUBLE TEE TO WALL SHEAR CONNECTION  
SFR#1 SCALE: 3/4" = 1'-0"



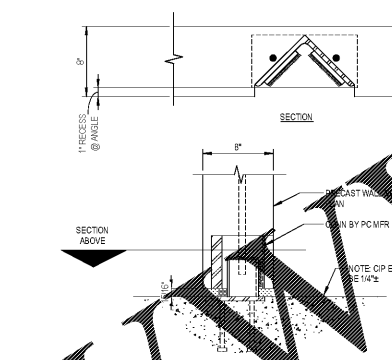
6 DOUBLE TEE SHEAR CONNECTION  
SFR#1 SCALE: 1/2" = 1'-0"



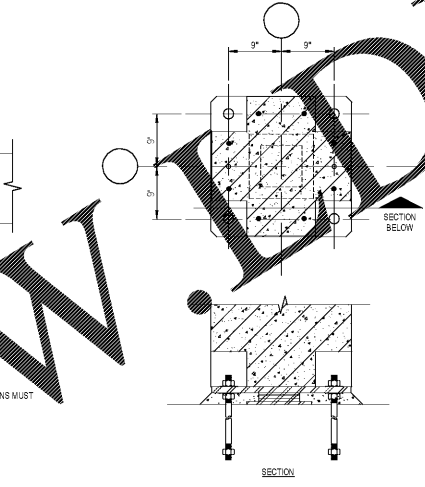
7 RAMP WALL ELEVATION  
SFR#1 SCALE: 3/8" = 1'-0"



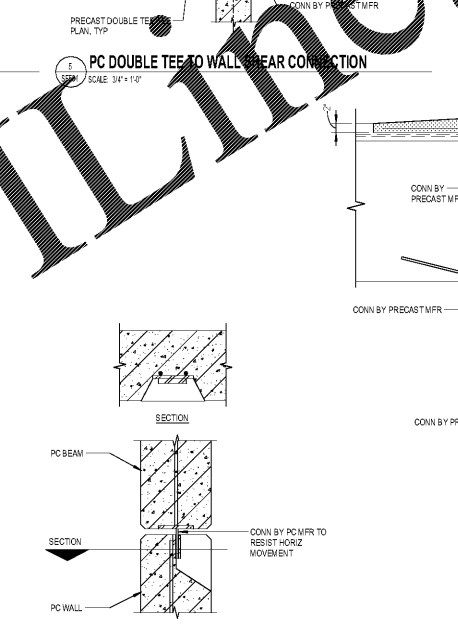
8 PRECAST WALL TO CIP CONNECTION  
SFR#1 SCALE: 1/2" = 1'-0"



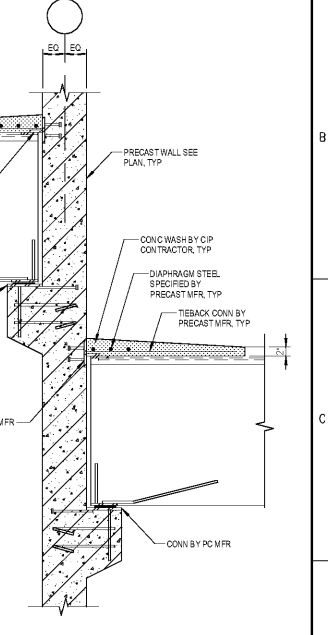
9 ALTERNATE PRECAST WALL TO CIP CONNECTION  
SFR#1 SCALE: 1/2" = 1'-0"



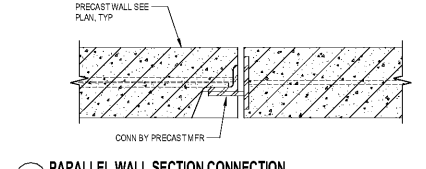
10 PRECAST COLUMN BASE DETAIL  
SFR#1 SCALE: 1" = 1'-0"



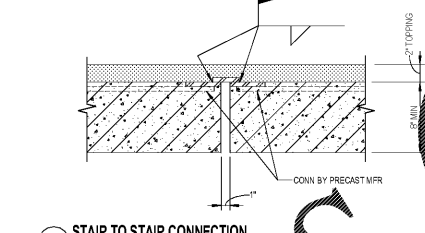
11 TYPICAL PC BEAM ABOVE PC WALL DETAIL  
SFR#1 SCALE: 1" = 1'-0"



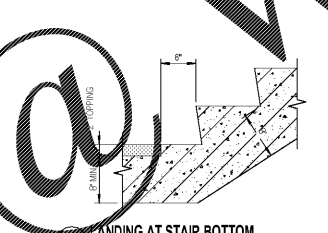
12 DOUBLE TEE TO WALL CONNECTION  
SFR#1 SCALE: 3/4" = 1'-0"



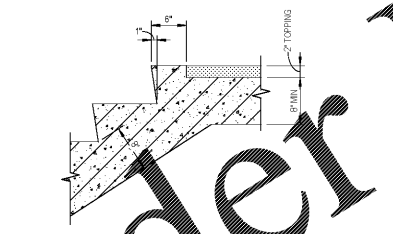
13 PARALLEL WALL SECTION CONNECTION  
SFR#1 SCALE: 1/2" = 1'-0"



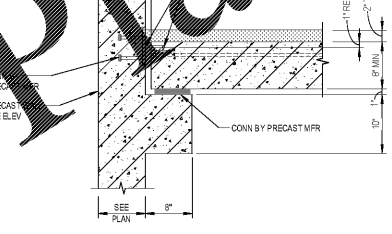
14 STAIR TO STAIR CONNECTION  
SFR#1 SCALE: 1/2" = 1'-0"



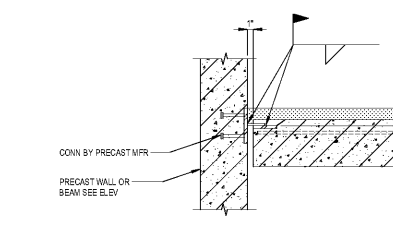
15 LANDING AT STAIR BOTTOM  
SFR#1 SCALE: 1" = 1'-0"



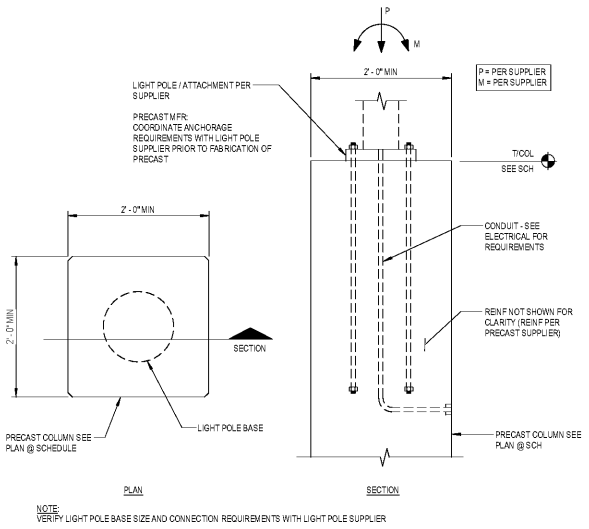
16 LANDING AT STAIR TOP  
SFR#1 SCALE: 1" = 1'-0"



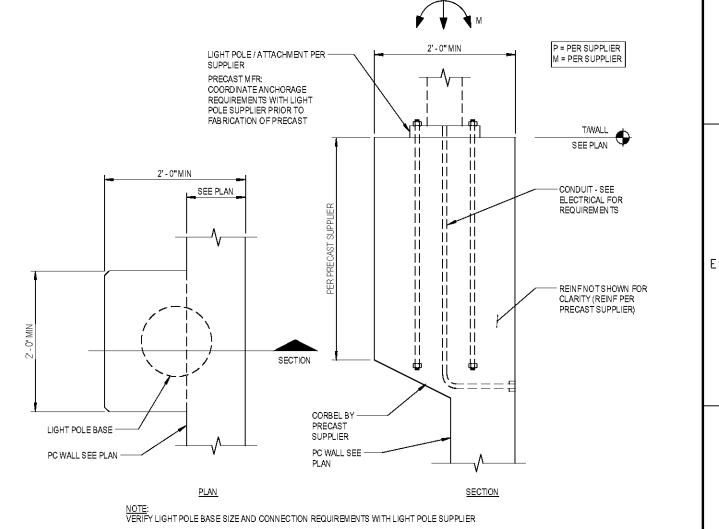
17 STAIR END TO WALL CONNECTION  
SFR#1 SCALE: 1" = 1'-0"



18 STAIR SIDE TO WALL CONNECTION  
SFR#1 SCALE: 1" = 1'-0"



19 TYPICAL LIGHT POLE BASE TO COLUMN DETAIL  
SFR#1 SCALE: 1" = 1'-0"



20 TYPICAL LIGHT POLE BASE TO WALL DETAIL  
SFR#1 SCALE: 1" = 1'-0"

Order Plans

WWW.Online.com

Revisions:	Date:

**VA** U.S. Department of Veterans Affairs  
MEMPHIS VAMC  
1030 JEFFERSON AVE, MEMPHIS, TN 38104

ARCHITECT/ENGINEERS:  
**GUIDON DESIGN**  
SUSTAINABLE ARCHITECTURE + ENGINEERING  
905 N. CAPITOL AVE. SUITE 100 INDIANAPOLIS, IN 46204  
317.860.0386 WWW.GUIDONDESIGN.COM

MEP Engineer: APOGEE CONSULTING GROUP  
Functional Design: CARL WALKER INC.  
1151 Kildaire Farm Rd. Suite 120 Cary, NC 27511  
3211 Internet Blvd., Suite 220 Frisco, TX 75034  
Tel: 919-858-7420 Tel: 469-777-5143

Drawing Title <b>TYPICAL FRAMING DETAILS</b>		Project Title <b>CONSTRUCT PARKING GARAGE ON WEST LOT</b>		Project Number <b>15.1067</b>		OFFICE OF FACILITIES MANAGEMENT	
Approved for Design Concept: <b>FACILITY MANAGEMENT DIVISION MANAGER</b>		Location <b>MEMPHIS, TN</b>		Building Number		VA Project Number <b>614-319</b>	
Date <b>11/14/2016</b>		Checked By: <b>MAV</b>		Drawn By: <b>WJT</b>		Drawing Number <b>SF501</b>	
						U.S. Department of Veterans Affairs	