

MARK HQPA													
ENCLOSURE	MOUNTING SURFACE	VOLTAGE	WIRE	NAIC RATING	MAINS	PHASE RATING	N BUS RATING	SERVICE RATED	NOTES				
NEMA 1	3	480Y/277	3	4	14	400	100%	NO	NEW PANELBOARD				
CKT #	LOAD DESCRIPTION	BREAKER	PHASE (kVA)			BREAKER			LOAD DESCRIPTION	CKT #			
1	SPACE		A	B	C	A	B	C	SPACE	2			
3	SPACE								SPACE	4			
5	SPACE								SPACE	6			
7	SPACE								SPACE	8			
9	SPACE								SPACE	10			
11	SPACE								SPACE	12			
13	SPACE	1 20							SPACE	14			
15	SPACE	1 20							SPACE	16			
17	SPACE	1 20							SPACE	18			
19	SPACE	1 20							SPACE	20			
21	LGT - ELEV SHAFT	1 20		EX		EX			SPACE	22			
23	SPACE	1 20							SPACE	24			
25	SPACE		EX			EX			SPACE	26			
27	TRANSFORMER DT-QPA	3 40						80	3	PENTHOUSE AC UNIT	28		
29	SPACE									SPACE	30		
31	SPACE									SPACE	32		
33	ELEV S1	3 150								SPACE	34		
35	SPACE									SPACE	36		
37	SPACE									SPACE	38		
39	ELEV S2	3 150								SPACE	40		
41	SPACE									SPACE	42		

TOTAL (kVA) #A #B #C HIGH PHASE (AMPS)  
TOTAL CONNECTED LOAD (kVA) TOTAL LOAD (AMPS)

CREATE A DIRECTORY TO INDICATE INSTALLED LOADS. INDICATE LOAD TYPE (REC, LTG, AHU-1, ETC.) AND ROOM NUMBERS SERVED FOR EVERY BRANCH CIRCUIT.

NOTES:  
BOLD AND ITALIC INDICATES NEW LOADS BASED ON ASBUILT CONDITIONS. THESE LOADS WILL BE REVISED TO REFLECT THE CORRECT CONDITIONS AS LISTED BY THE CONTRACTOR'S APPROVED SUBMITTAL.

MARK QPA													
ENCLOSURE	MOUNTING SURFACE	VOLTAGE	WIRE	NAIC RATING	MAINS	PHASE RATING	N BUS RATING	SERVICE RATED	NOTES				
NEMA 1	3	480Y/277	3	4	14	400	100%	NO	NEW PANELBOARD				
CKT #	LOAD DESCRIPTION	BREAKER	PHASE (kVA)			BREAKER			LOAD DESCRIPTION	CKT #			
1	LGT MACH RM	1 20	EX			EX			20	1			
3	REC - MACH RM	1 20		EX			EX		20	1			
5	PANEL REC & CUTSIDE WALL	1 20			EX				20	1			
7	ELEV CAB LGT S1	1 20	EX			EX			20	1			
9	ELEV CAB LGT S2	1 20		EX			EX		20	1			
11	SPACE								20	1			
13	SPACE								20	1			
15	SPACE								20	1			
17	SPACE								20	1			
19	SPACE								20	1			
21	SPACE								20	1			
23	SPACE								20	1			
25	SPACE								20	1			
27	SPACE								20	1			
29	SPACE								20	1			

TOTAL (kVA) #A #B #C HIGH PHASE (AMPS)  
TOTAL CONNECTED LOAD (kVA) TOTAL LOAD (AMPS)

CREATE A DIRECTORY TO INDICATE INSTALLED LOADS. INDICATE LOAD TYPE (REC, LTG, AHU-1, ETC.) AND ROOM NUMBERS SERVED FOR EVERY BRANCH CIRCUIT.

NOTES:  
BOLD AND ITALIC INDICATES NEW LOADS

MARK HQPB													
ENCLOSURE	MOUNTING SURFACE	VOLTAGE	WIRE	NAIC RATING	MAINS	PHASE RATING	N BUS RATING	SERVICE RATED	NOTES				
NEMA 1	3	480Y/277	3	4	14	400	100%	NO	NEW PANELBOARD				
CKT #	LOAD DESCRIPTION	BREAKER	PHASE (kVA)			BREAKER			LOAD DESCRIPTION	CKT #			
1	EXHAUST FAN EF-16	3 15		EX					20	1			
3	SPACE								20	1			
5	SPACE								20	1			
7	SPACE								20	1			
9	ELEVATOR P-10	3 125		EX		EX			80	3			
11	SPACE								80	3			
13	SPACE								80	3			
15	SPACE								80	3			
17	SPACE								80	3			
19	SPACE								80	3			
21	SPACE								80	3			
23	SPACE								80	3			
25	SPACE								80	3			
27	SPACE								80	3			
29	SPACE								80	3			
31	SPACE								80	3			
33	SPACE								80	3			
35	SPACE								80	3			
37	SPACE								80	3			
39	SPACE								80	3			
41	SPACE								80	3			
43	ELEVATOR P-12	3 125							125	3			
45	SPACE								125	3			
47	SPACE								125	3			
49	SPACE								125	3			
51	TRANSFORMER DT-QPB	3 40						15	3	EXHAUST FAN EF-17			
53	SPACE			EX			EX						
55	FIRE PROTECTION	1 20			EX				20	1			
57	FIRE PROTECTION	1 20			EX				20	1			
59	SPACE	1 20							20	1			

TOTAL (kVA) #A #B #C HIGH PHASE (AMPS)  
TOTAL CONNECTED LOAD (kVA) TOTAL LOAD (AMPS)

CREATE A DIRECTORY TO INDICATE INSTALLED LOADS. INDICATE LOAD TYPE (REC, LTG, AHU-1, ETC.) AND ROOM NUMBERS SERVED FOR EVERY BRANCH CIRCUIT.

NOTES:  
BOLD AND ITALIC INDICATES NEW LOADS BASED ON ASBUILT CONDITIONS. THESE LOADS WILL BE REVISED TO REFLECT THE CORRECT CONDITIONS AS LISTED BY THE CONTRACTOR'S APPROVED SUBMITTAL.

MARK QPB													
ENCLOSURE	MOUNTING SURFACE	VOLTAGE	WIRE	NAIC RATING	MAINS	PHASE RATING	N BUS RATING	SERVICE RATED	NOTES				
NEMA 1	3	480Y/277	3	4	14	400	100%	NO	NEW PANELBOARD				
CKT #	LOAD DESCRIPTION	BREAKER	PHASE (kVA)			BREAKER			LOAD DESCRIPTION	CKT #			
1	REC - ELEV MACH RM	1 20	EX			EX			20	1			
3	LGT & REC	1 20		EX			EX		20	1			
5	CONTROLS MACH RM	1 20			EX				20	1			
7	HOSTWAY DAMPER	1 20				EX			20	1			
9	EXHAUST FAN EF-19	1 20		EX					20	1			
11	REC - ELEV PIT	1 20							20	1			
13	REC - ELEV MACH RM	1 20	EX			EX			20	1			
15	P-10 ELEV CAB LGT	1 20			EX				20	1			
17	ELEV INTERFACE CONTROL	1 20				EX			20	1			
19	REC - ELEV MACH RM	1 20		EX					20	1			
21	P-11 ELEV CAB LGT	1 20							20	1			
23	P-12 ELEV CAB LGT	1 20							20	1			
25	SPACE								20	1			
27	SPACE								20	1			
29	SPACE								20	1			

TOTAL (kVA) #A #B #C HIGH PHASE (AMPS)  
TOTAL CONNECTED LOAD (kVA) TOTAL LOAD (AMPS)

CREATE A DIRECTORY TO INDICATE INSTALLED LOADS. INDICATE LOAD TYPE (REC, LTG, AHU-1, ETC.) AND ROOM NUMBERS SERVED FOR EVERY BRANCH CIRCUIT.

NOTES:  
BOLD AND ITALIC INDICATES NEW LOADS

**SHEET NOTES**

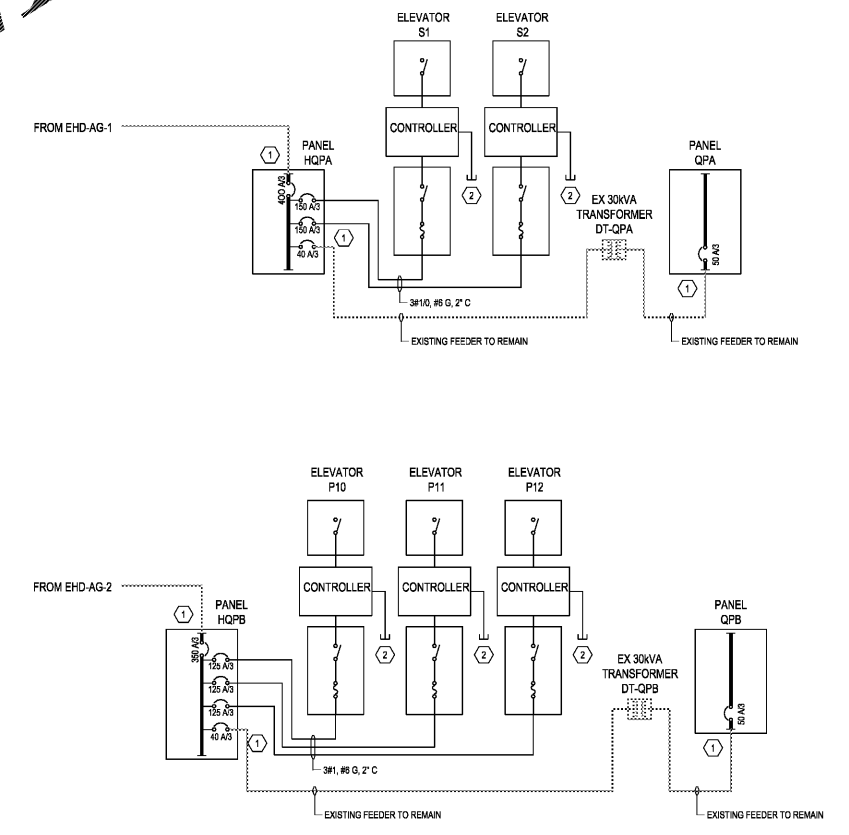
- EXISTING CONDUCTORS TO REMAIN. COIL AND PROTECT EXISTING CONDUCTORS DURING REMOVAL OF EXISTING PANELBOARDS. CONTRACTOR SHALL INSTALL ANY ADDITIONAL CONDUIT AND FITTINGS TO ALLOW INSTALLATION OF NEW PANELBOARDS.
- NETWORK CONNECTION FROM ELEVATOR CONTROLLERS TO PC CONNECTION IN CONTROL RM.

**GENERAL NOTES**

- THIS IS AN ELECTRICAL POWER DISTRIBUTION SYSTEM SINGLE LINE DIAGRAM. NOT ALL MECHANICAL EQUIPMENT CIRCUITS AND BRANCH CIRCUITS ARE SHOWN.
- WORK ON THE SECONDARY OF DRY-TYPE XFRMS SHALL BE INSTALLED WITHIN 10' PER NEC 240.21(C)(2).
- LOCATION OF MAIN BREAKERS AND FEEDERS INTO EQUIPMENT IS NOT INTENDED TO SHOW TOP OR BOTTOM MOUNTED MAIN BREAKER OR BOTTOM TOP OR SIDE FEEDER ENTRY. THE SINGLE LINE DIAGRAM IS PURELY DIAGRAMMATIC. CONTRACTOR SHALL VERIFY PROPER BREAKER POSITIONS AND FEEDER ENTRIES INTO EQUIPMENT AND PROVIDE AS REQUIRED.
- MINIMUM WIRE SIZE #12 CU, #12 CU GND.

**SINGLE LINE DIAGRAM LEGEND**

- CIRCUIT BREAKER
- NORMAL POWER FEEDER/CKT.
- EMERGENCY FEEDER/CKT. NEG ART 700. ALL OCPDs IN THE EMERGENCY SYSTEM SHALL BE SELECTIVELY COORDINATED PER NEC 700.2. PERMIT A COORDINATION STUDY PER SPECIFICATIONS.
- DRY TYPE TRANSFORMER. SEE TRANSFORMER SCHEDULE FOR FEEDER SIZE AND TRANSFORMER SIZE.
- GROUNDING ELECTRODE AND GROUNDING ELECTRODE CONDUCTOR
- GENERATOR
- AUTOMATIC TRANSFER SWITCH
- PANELBOARD. SEE PANELBOARD SCHEDULE FOR PANELBOARD SIZE &
- DISCONNECT SWITCH
- FUSE
- NEW WORK
- EXISTING TO REMAIN



1 ELECTRICAL SINGLE LINE DIAGRAM - NEW

Order Plans @

<p>CONSULTANTS:</p>	<p>ARCHITECT/ENGINEERS:</p> <p><b>BES</b> DESIGN/BUILD</p> <p>BES DESIGN/BUILD, LLC 766 Middle St, Fairhope, AL 36532 Phone: 251.990.5778 Fax: 251.990.3716</p>	<p>Drawing Title: <b>NEW SINGLE LINE DIAGRAMS &amp; SCHEDULES</b></p> <p>Project Title: <b>UPGRADE ELEVATORS BUILDINGS A, B, C, AND D</b></p> <p>Location: ATLANTA VAMC 1670 CLAIRMONT ROAD, DECATUR, GA, 30033</p> <p>Date: 05/01/2017</p> <p>Drawn: KRW</p> <p>Checked: MCE</p>	<p>Project Number: 508-14-123</p> <p>Building Number: A</p> <p>Drawing Number: <b>EP602</b></p> <p>Dwg. 27 of 28</p> <p>ATLANTA VA MEDICAL CENTER</p> <p>Department of Veterans Affairs</p>
---------------------	---	---	---