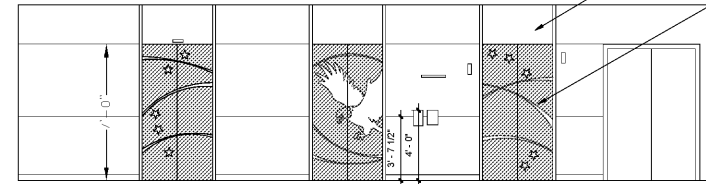


BUILDING A

PASSENGER ELEVATORS - P10, P11 and P12

HOISTWAY DOORS - FLOORS 1 THROUGH 5



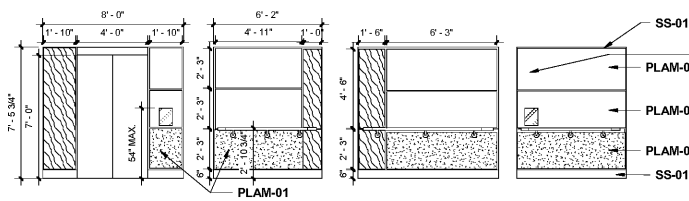
EXISTING METAL PANEL WALL SYSTEM

SS-02
HOISTWAY DOORS TO HAVE NEW METAL CLAD PANELS WITH GRAPHICS APPROVED BY THE VA. FUSED METAL SHEETS APPLIED TO EXISTING HOISTWAY DOORS ARE TO BE MIRROR FINISH AND THE PATTERN IS ILLUSTRATED THROUGH A FACTORY DONE ETCHING PROCESS. BASIS OF DESIGN IS FORM AND SURFACES ECO-ETCH. THE POSITIVE SPACE OF THE PATTERN REMAIN REFLECTIVE MIRROR AND THE NEGATIVE SPACE IS GLASS BEAD BLASTED (ECO-ETCHED) TO A MATTE FINISH.

■ MATTE FINISH
□ MIRROR FINISH

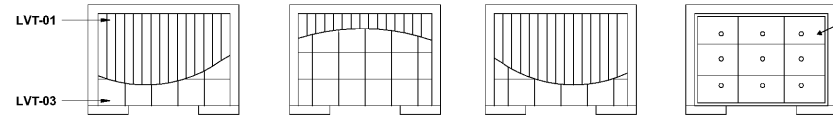
1 ATRIUM LOBBY ELEVATION

1/4" = 1'-0"



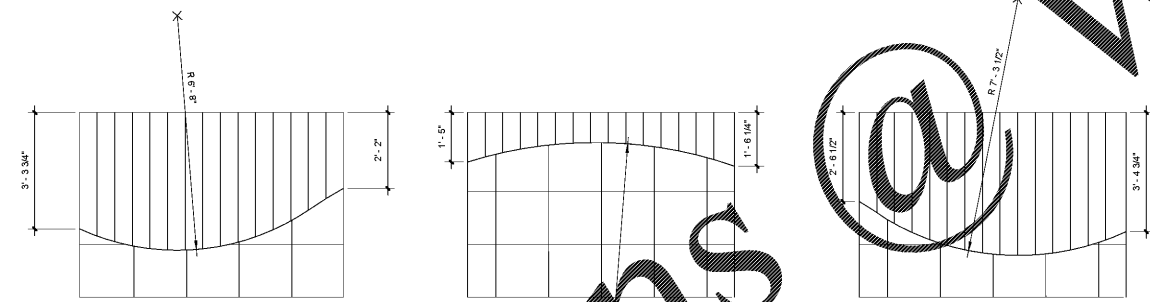
2 ELEVATORS P10, P11 & P12 ELEVATIONS

1/4" = 1'-0"



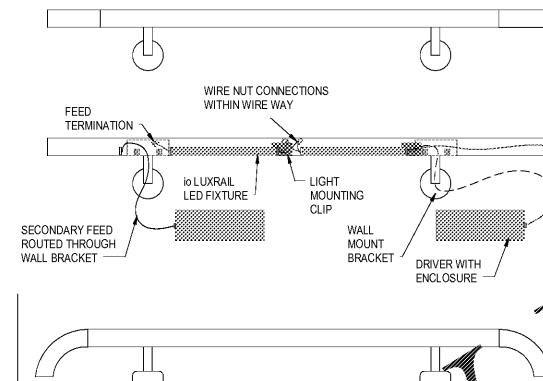
3 ELEVATORS P10, P11 & P12 FLOOR PLANS & REFLECTED CEILING PLAN

1/4" = 1'-0"



4 ELEVATOR P10, P11, & P12 DIMENSIONED FLOOR PLANS

1/2" = 1'-0"

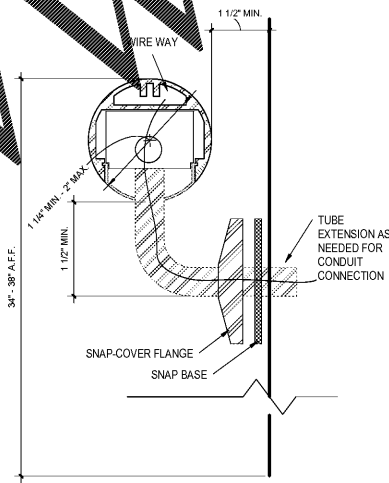


8 SUSPENDED CEILING DETAIL

3" = 1'-0"

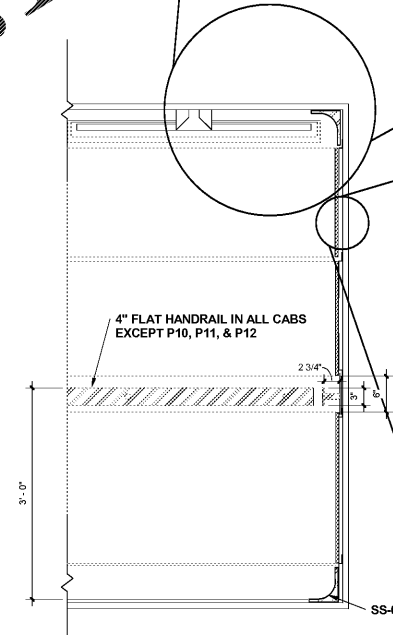
5 HANDRAIL DETAIL

1 1/2" = 1'-0"



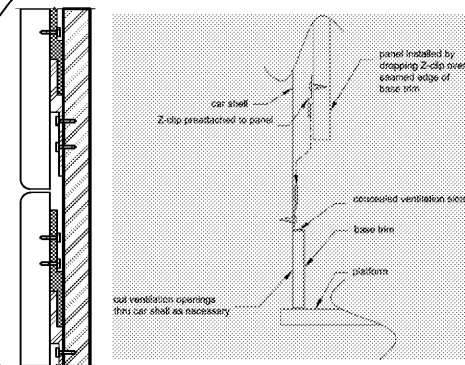
6 LED HANDRAIL SECTION

3" = 1'-0"



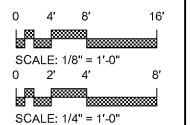
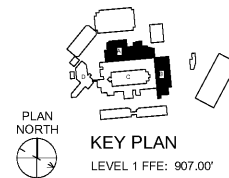
7 CAB INTERIOR SECTION

1" = 1'-0"



9 PANEL INSTALLATION DETAIL

1/4" = 1'-0"
NOT TO SCALE



100% CONSTRUCTION DOCUMENT SUBMISSION
FULLY SPRINKLERED

CONSULTANTS:

ARCHITECT/ENGINEERS:



BES DESIGN/BUILD, LLC
766 Middle St, Fairhope, AL 36532
Phone: 251.990.5778
Fax: 251.990.3716

Drawing Title
CAB INTERIOR ELEVATIONS & DETAILS

Approved: Project Director

Project Title
UPGRADE ELEVATORS BUILDINGS A, B, C, AND D

Location
ATLANTA VAMC
1670 CLAIRMONT ROAD, DECATUR, GA, 30033

Date
2017.05.01

Drawn
ABI/AEJ

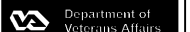
Checked
RP

Project Number
508-14-123

Building Number
A, B, C & D

Drawing Number
IN601
Dwg. 11 of 28

ATLANTA VA MEDICAL CENTER



Order Plans

WWW.LDLINE.COM