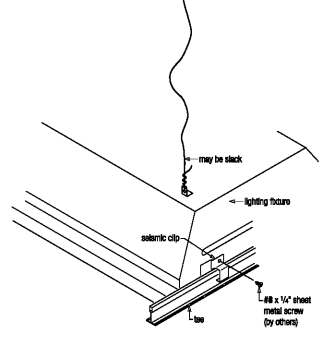


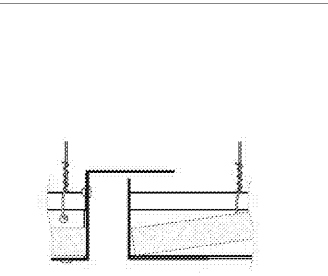
CATEGORY D-F LAY-IN GRID LIGHT FIXTURE

Type G Light Fixture Attached to Grid—IBC Categories B,E,F

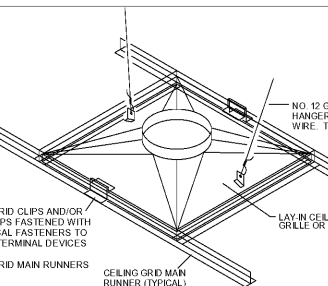


FOR FIXTURES WEIGHING 50 LBS. OR MORE, INSTALL #12 GAUGE HANGER WIRE ATTACHED TO STRUCTURE ABOVE - ONE AT EACH CORNER OF FIXTURE FOR A TOTAL OF FOUR. HANGER WIRES MUST BE INSTALLED VERTICAL, BUT NOT MORE THAN 1 IN 6 OUT OF PLUMB. FOR FIXTURES WEIGHING LESS THAN 50 LBS., WIRES MAY BE INSTALLED SLACK AT TWO CORNERS.

TYPICAL CEILING EXPANSION JOINT DETAIL



AIR TERMINAL / SERVICES SIESMIC RESTRAINT DETAIL

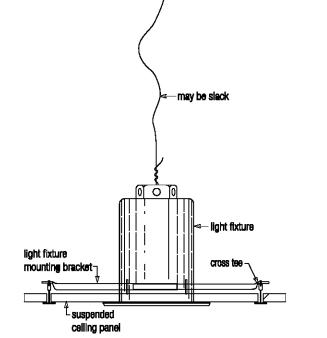


ATTACHMENT NOTES:
 CEILING MOUNTED AIR TERMINALS OR SERVICES WEIGHING 20 LBS. OR LESS SHALL BE POSITIVELY ATTACHED TO THE CEILING SUSPENSION MAIN RUNNERS OR CROSS RUNNERS. AIR TERMINALS OR SERVICES WEIGHING MORE THAN 20 LBS. AND LESS THAN 50 LBS. SHALL HAVE, IN ADDITION TO THE ATTACHMENTS NOTED ABOVE, TWO NO. 12 GAUGE HANGERS CONNECTED TO THE CEILING SYSTEM HANGERS OR TO THE STRUCTURE ABOVE. WIRES MAY BE SLACK. AIR TERMINALS OR SERVICES WEIGHING MORE THAN 50 LBS. SHALL BE SUPPORTED DIRECTLY FROM THE STRUCTURE ABOVE BY APPROVED HANGERS.

LIGHT FIXTURE ATTACHMENT	REQUIREMENTS
LIGHT FIXTURE (ALL TYPES) MECHANICALLY ATTACHED TO GRID NEC 410-16 (TWO PER FIXTURE UNLESS INDEPENDENTLY SUPPORTED)	180 LBS
- SURFACE MOUNTED FIXTURES ATTACHED TO GRID	REQUIRED
- PENDANT HUNG FIXTURES DIRECTLY SUPPORTED FROM STRUCTURE WITH 12 GAUGE WIRE (SEE APPROVED ALTERNATIVE)	REQUIRED
- RIGID OR CAN LIGHT FIXTURE	HEAVY-DUTY
- ≤ 50 LBS. - POSITIVELY ATTACHED TO GRID	REQUIRED
- 51 TO 50 LBS. - POSITIVELY ATTACHED TO GRID AND TWO WIRES TO STRUCTURE (MAY BE SLACK)	REQUIRED
- 51 TO 50 LBS. - DIRECTLY SUPPORTED TO STRUCTURE BY APPROVED HANGERS	REQUIRED

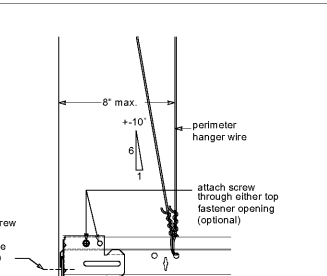
IBC CATEGORY D-F CAN LIGHT FIXTURE

Can Light Fixture—IBC Categories B,E,F

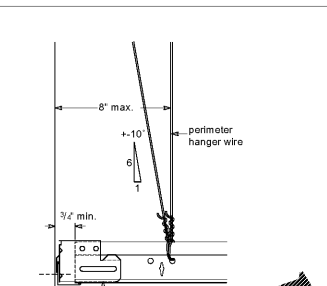


FOR FIXTURES WEIGHING 50 LBS. OR MORE, INSTALL #12 GAUGE HANGER WIRE ATTACHED TO STRUCTURE ABOVE - ONE AT EACH CORNER OF FIXTURE FOR A TOTAL OF FOUR. HANGER WIRES MUST BE INSTALLED VERTICAL, BUT NOT MORE THAN 1 IN 6 OUT OF PLUMB. FOR FIXTURES WEIGHING LESS THAN 50 LBS., WIRES MAY BE INSTALLED SLACK AT TWO CORNERS.

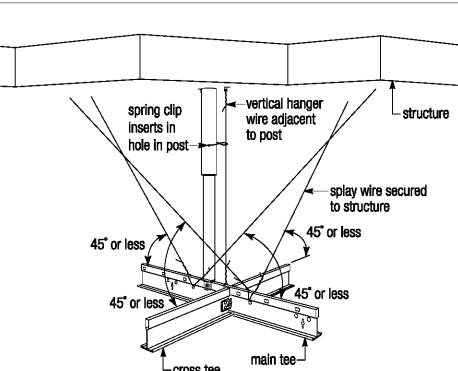
CATEGORY D-F PERIMETER TREATMENT FIXED WALL



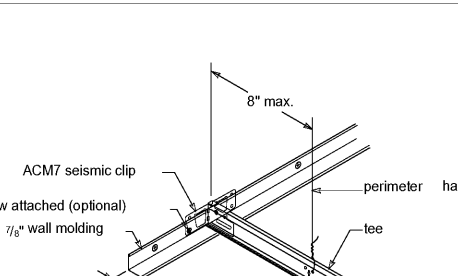
CATEGORY D-F PERIMETER TREATMENT FLOATING WALL



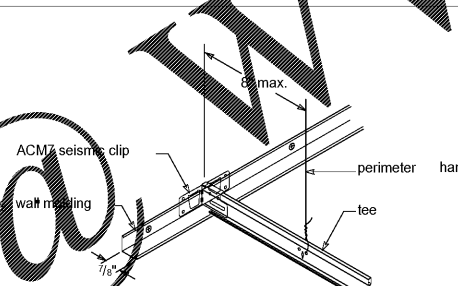
CATEGORY D-F LATERAL BRACING - REQUIRED AT ROOMS OVER 1000SF



CATEGORY D-F PERIMETER TREATMENT FIXED WALL

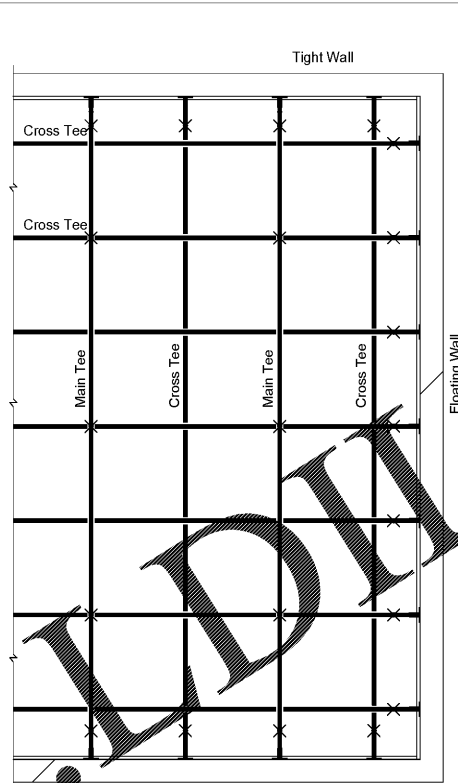


CATEGORY D-F PERIMETER TREATMENT FLOATING WALL



SERVICE APPLICATION	REQUIREMENTS
AR TERMINALS	180 LBS
≤ 20 LBS - POSITIVELY ATTACHED TO GRID	REQUIRED
21 TO 50 LBS - POSITIVELY ATTACHED TO GRID AND TWO WIRES TO STRUCTURE (MAY BE SLACK)	REQUIRED
≥ 51 LBS - DIRECTLY SUPPORTED TO STRUCTURE	HEAVY-DUTY
SPRINKLER HEADS AND OTHER PENETRATION CLEARANCE	MIN 2" DIA. OPENING OR A SWING JOINT
CABLE TRAYS AND ELECTRICAL CONDUIT INDEPENDENTLY SUPPORTED AND BRACED	REQUIRED

CATEGORY D-F SEISMIC CLIP CEILING LAYOUT



- × 12-gauge hanger wire
- ⊥ Seismic clip
- ⊥ Seismic clip or riveted

BASIC CONNECTIONS, PERIMETER, AND LATERAL SPLAY BRACING	REQUIREMENTS
MIN. INTERSECTION STRENGTH LIMITS @ MT/CT	180 LBS
VERTICAL HANGER WIRE 12-GAUGE @ 40" C.	REQUIRED
CONNECTION DEVICE FROM VERTICAL WIRE TO THE STRUCTURE ABOVE MUST SUSTAIN MIN 100LBS	REQUIRED
MAIN TEE CLASSIFICATIONS	HEAVY-DUTY
1 IN 6 MAX PLUMB OF VERTICAL HANGER WIRES	REQUIRED
PERIMETER VERTICAL HANGER WIRES NOT MORE THAN 8" FROM ALL	REQUIRED
GRID END/WALL CLEARANCE	MIN 3/4"
PERIMETER CLOSURE(MOLDING) WIDTH	MIN 2"
GRID CONNECTION TO PERIMETER ATTACHED ON TWO ADJACENT WALLS	REQUIRED
PERIMETER TEE ENDS TIED TOGETHER	REQUIRED
HORIZONTAL RESTRAINT(SPLAY WIRES OR RIGID BRACING) WITHIN 2' OF INTERSECTION AND SPLAYED 90 DEG. APART AT 45 DEG. ANGLES	REQUIRED(CEILING LARGER THAN 1000SF, WHERE DESIGN CALCS NOT PROVIDED)
COMPRESSION POSTS(STRUTS) 12" O.C. IN BOTH DIRECTIONS, STARTING 6" FROM WALLS	REQUIRED(CEILING LARGER THAN 1000SF, WHERE DESIGN CALCS NOT PROVIDED)
SPLAY BRACING CONNECTION STRENGTH 200LBS OR THE DESIGN LOAD, WHICHEVER IS GREATER	REQUIRED
PARTITION ATTACHMENT	BRACING INDEPENDENT OF CEILING SPLAY BRACING
SEISMIC SEPARATION JOINT	REQ'D FOR AREAS > 2,500 SF (OR FULL HEIGHT PARTITION)
RIGID BRACING FOR CEILING PLANE ELEVATION CHANGES	REQUIRED



SEALS
 COPYRIGHT © 2017 ROSENBLUM COE ARCHITECTS, INC.
 THIS DRAWING HAS BEEN PREPARED BY ROSENBLUM COE ARCHITECTS, INC. FOR THE PROJECT AND IS NOT TO BE REPRODUCED OR TRANSMITTED IN ANY FORM OR BY ANY MEANS, ELECTRONIC OR MECHANICAL, WITHOUT THE WRITTEN PERMISSION OF ROSENBLUM COE ARCHITECTS, INC. ALL RIGHTS RESERVED.

NOTES

MUSC
 MEDICAL UNIVERSITY
 OF SOUTH CAROLINA
 PROJECT NUMBER: H51-50068
 DHEC PROJECT NUMBER: 580145

CONSTRUCTION DOCUMENTS
 202009.0 2.13.20.24

**STORM EYE INSTITUTE
 OPTICAL SHOP
 H51-50068**
 167 ASHLEY AVE
 CHARLESTON, SC 29425

**ROSENBLUM COE
 ARCHITECTS,
 INC.**
 1643 MEANS STREET
 CHARLESTON, SC 29412
 843.577.6073

TYPICAL SEISMIC CEILING DETAILS

SHEET NAME	
PROJECT NUMBER	17016
DRAWN BY	RML
CHECKED BY	SHC
DATE	05/09/2018
SCALE	As indicated

A122

Order Plans

www.pdfline.com