

project address | name

client

designers

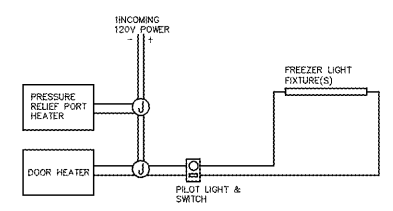
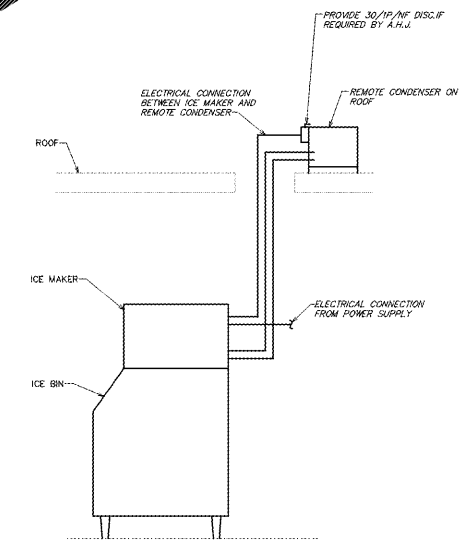
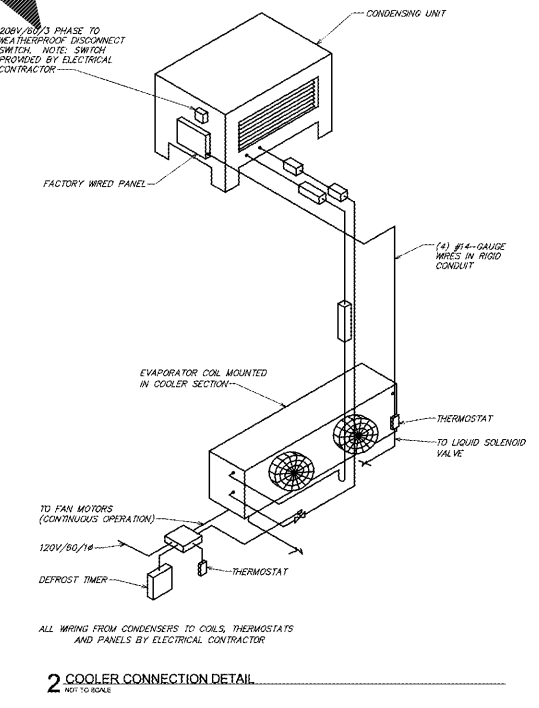
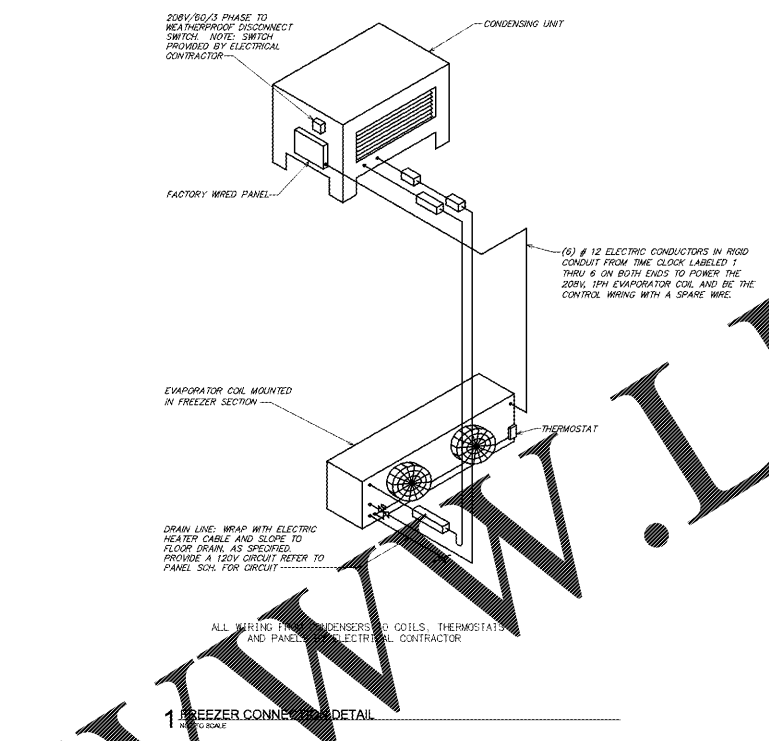
job status

revisions

seal

sheet number | title

Order Plans @



NOTES:  
1. PROVIDE GROUNDING PER NEC.  
2. INSTALL PER MANUFACTURER'S INSTRUCTIONS.  
3. REFER TO PANEL SCHEDULE FOR CIRCUIT.

4 FREEZER LIGHTING AND DOOR HEATER WIRING DETAIL  
NOT TO SCALE

CONSTRUCTION DOCUMENTS  
05/10/18

No.	Description	Date



Date: 05/10/18  
CDA # PE060390

ELECTRICAL  
DETAILS

E3.02