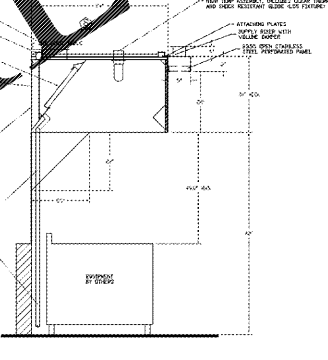
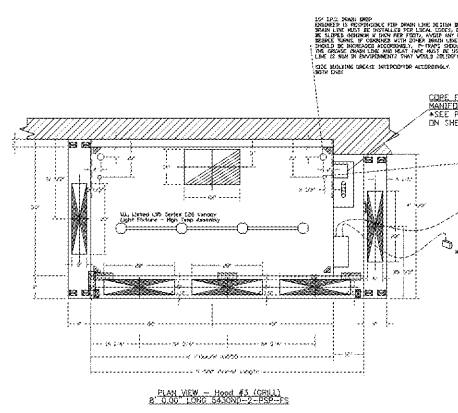
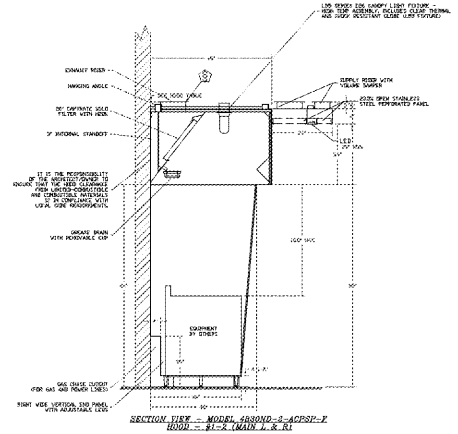




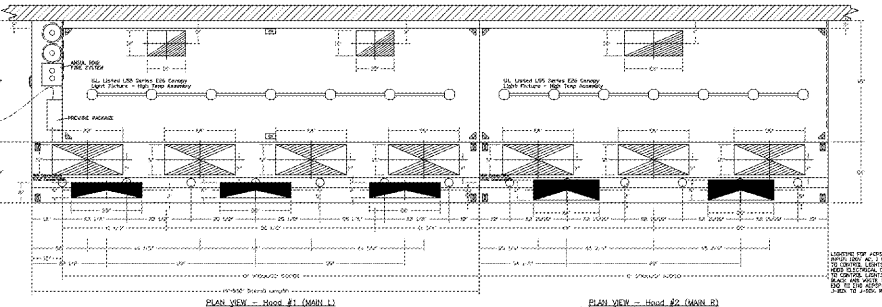
project address | name  
client  
designers  
job status  
revisions  
sheet number | title

NO.	QTY	DESCRIPTION	UNIT	AMOUNT	DATE	BY	CHKD
1	1	ACFSP					
2	1	ACFSP					
3	1	ACFSP					
4	1	ACFSP					
5	1	ACFSP					



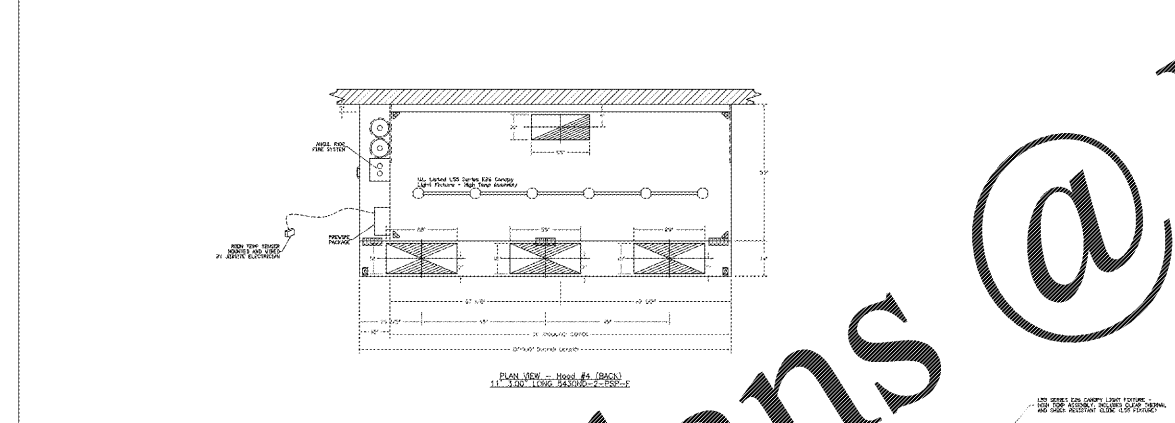
**CORE PROTECTION FIRE SYSTEM SPECIFICATION**  
The CORE Protection Fire System is a... (text continues with technical specifications)

NO.	QTY	DESCRIPTION	UNIT	AMOUNT	DATE	BY	CHKD
1	1	ACFSP					
2	1	ACFSP					
3	1	ACFSP					
4	1	ACFSP					
5	1	ACFSP					



**CAPTIVE FIRE**  
FIREBIRDS - PEACHTREE CORNERS, GA  
NORCROSS, GA, 30071  
DATE: 12/14/2017  
DWG #: 3112818  
DRAWN BY: enns@starr.com  
SCALE: 3/4" = 1'-0"  
MASTER DRAWING  
SHEET NO. 1

**CAPTIVE FIRE**  
FIREBIRDS - PEACHTREE CORNERS, GA  
NORCROSS, GA, 30071  
DATE: 12/14/2017  
DWG #: 3112818  
DRAWN BY: enns@starr.com  
SCALE: 3/4" = 1'-0"  
MASTER DRAWING  
SHEET NO. 2



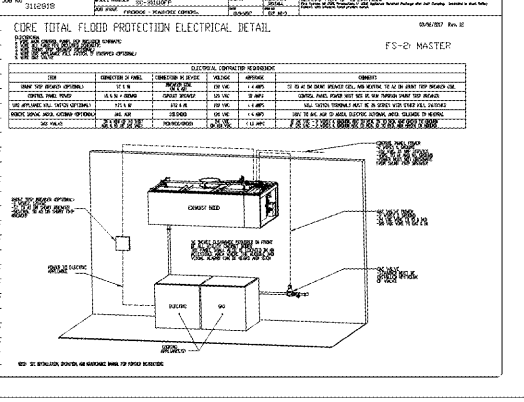
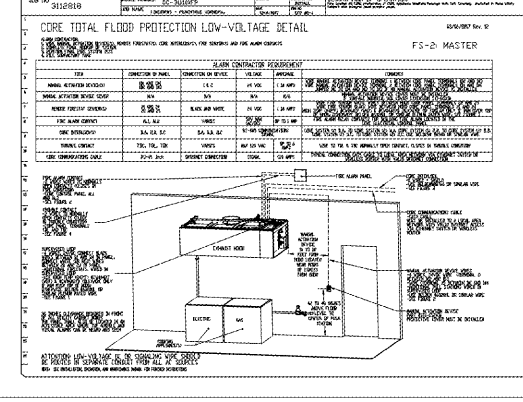
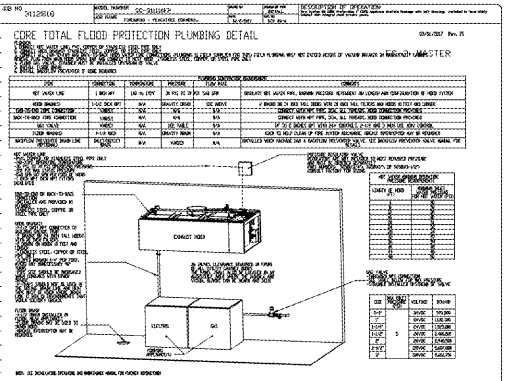
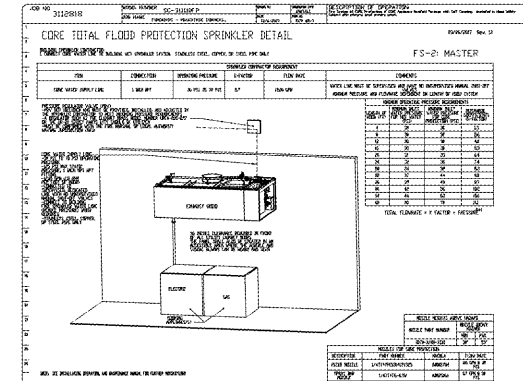
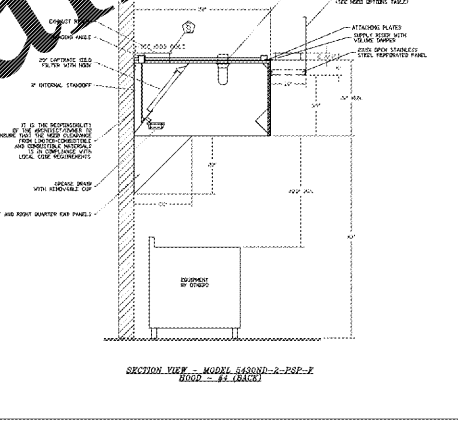
**CAPTIVE FIRE**  
FIREBIRDS - PEACHTREE CORNERS, GA  
NORCROSS, GA, 30071  
DATE: 12/14/2017  
DWG #: 3112818  
DRAWN BY: enns@starr.com  
SCALE: 3/4" = 1'-0"  
MASTER DRAWING  
SHEET NO. 3

**CAPTIVE FIRE**  
FIREBIRDS - PEACHTREE CORNERS, GA  
NORCROSS, GA, 30071  
DATE: 12/14/2017  
DWG #: 3112818  
DRAWN BY: enns@starr.com  
SCALE: 3/4" = 1'-0"  
MASTER DRAWING  
SHEET NO. 4

**\*CORE FIRE SYSTEM TRADE RESPONSIBILITIES\***

NO.	DESCRIPTION	DATE
1	ACFSP	
2	ACFSP	
3	ACFSP	
4	ACFSP	
5	ACFSP	

NO.	QTY	DESCRIPTION	UNIT	AMOUNT	DATE	BY	CHKD
1	1	ACFSP					
2	1	ACFSP					
3	1	ACFSP					
4	1	ACFSP					
5	1	ACFSP					



**Order Plans @**

CONSTRUCTION DOCUMENTS  
05/10/18

No.	Description	Date



HOOD DRAWINGS  
**M4.01**