



Starr Design, PLLC
1435 West Meredith St, Suite 240
Charlotte, NC 28208
V: 704 377 5200 F: 704 377 5201
www.starrdesign.com

project address | name

client

designer

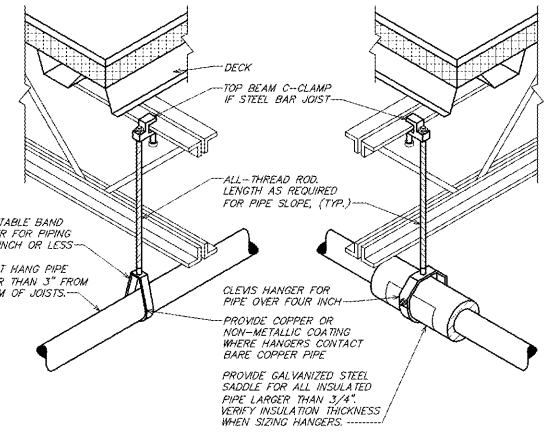
designer

job status

revisions

seal

sheet number | title

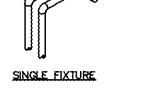


3 PIPE HANGER DETAIL
NOT TO SCALE

NOTE:
PROVIDE UPPER ATTACHMENT AS REQUIRED FOR CASES NOT SHOWN HERE. DO NOT INSTALL HANGER INSIDE INSULATION OR OTHERWISE PENETRATE VAPOR BARRIER. DO NOT HANG ONE PIPE FROM ANOTHER EXCEPT IN CHASSES. TRAPEZOIDAL HANGERS MAY BE USED FOR MULTIPLE PARALLEL PIPES. HANGER SPACING FOR PIPE SIZE:
COPPER: 4\"/>

FIXTURE UNIT TABULATION

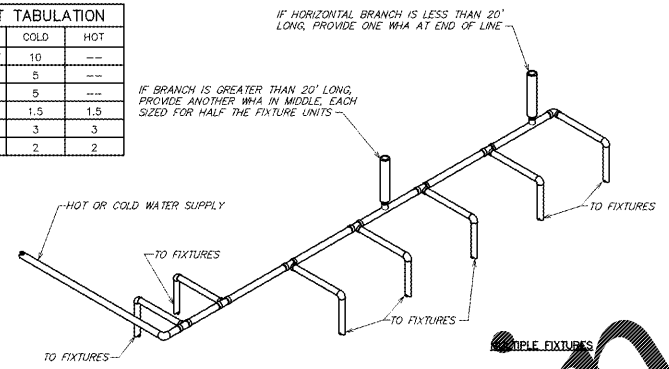
FIXTURE	COLD	HOT
VALVE WATER CLOSET	10	---
TANK WATER CLOSET	5	---
URINAL	5	---
LAVATORY/SINK	1.5	1.5
JANITOR'S SINK	3	3
SHOWER/BATHTUB	2	2



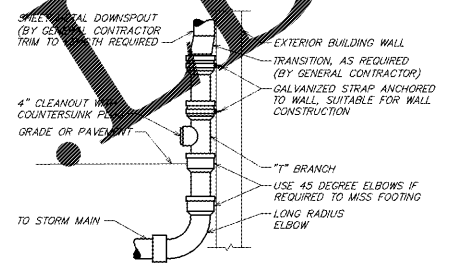
SINGLE FIXTURE

PDI SIZE	PIPE SIZE	FIXTURE UNIT LOAD
A	1/2"	1-11
B	3/4"	12-32
C	1"	33-60
D	1-1/4"	61-113
E	1-1/2"	114-154
F	2"	155-330

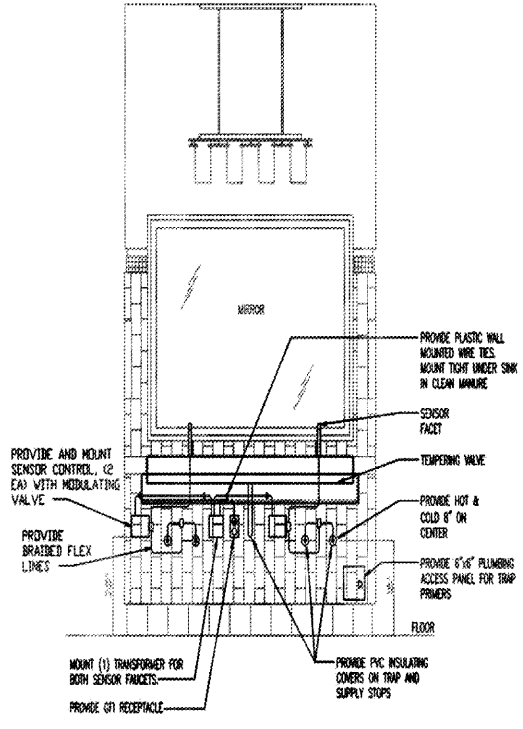
PLUMBING CONTRACTOR SHALL PROVIDE WATER HAMMER ARRESTERS BY SLOTTED CHIEF, PRECISION PLUMBING PRODUCTS OR APPROVED EQUIVALENT WITH PISTON AND O-RING CONSTRUCTION, HAVING PDI #WH-201, ASSE #1010 AND ANSI #M12.26.14 CONSTRUCTION, INSTALL IN HORIZONTAL OR VERTICAL POSITION, BUT NEVER UPSIDE DOWN. INSTALL IN LINE WITH WATER FLOW DIRECTION IF POSSIBLE. SIZE UNITS AS SHOWN ON THE DRAWINGS AND/OR PER THE TABLES SHOWN ABOVE.



5 WATER HAMMER ARRESTERS
NOT TO SCALE



6 EXTERIOR DOWNSPOUT SHOE
NOT TO SCALE

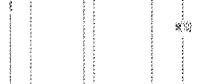
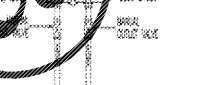
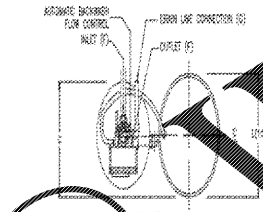


1 TYPICAL LAVATORY ELEVATION
NOT TO SCALE

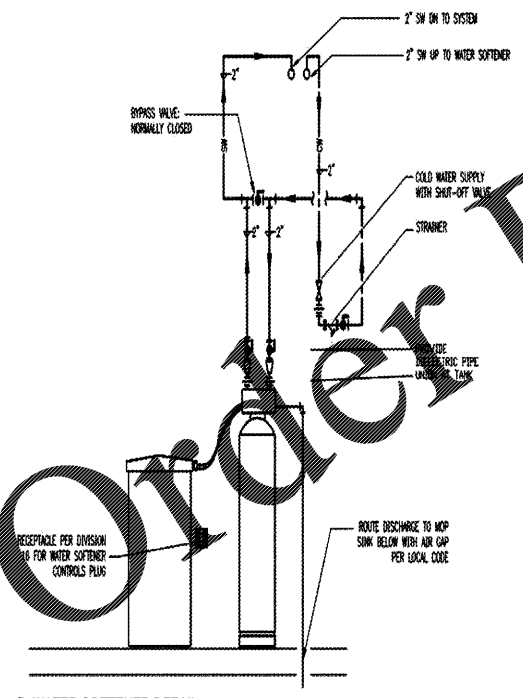
NOTES:

- (1) ITEMS SHOWN IN BRACKETED LINES TO BE FABRICATED BY OTHERS.
- (2) ALL CONDENSING ARE 1/2" (3/8") AND SUBJECT TO CHANGE WITHOUT NOTICE.
- (3) CONDENSING SHOULD BE LOCATED ON INLET AND OUTLET CONNECTIONS OF CONTROL VALVE TO FACILITATE SERVICING.
- (4) THE USE OF DISCONNECT METALS IN A PIPING SYSTEM IS NOT RECOMMENDED WHERE DISCONNECT METALS MUST BE CONNECTED IN A BRASS SYSTEM THE USE OF NONDISCONNECTIBLE DISCONNECT FITTINGS MAY REDUCE GALVANIC CORROSION.
- (5) AN ELECTRICAL CLOSET SHOULD BE PROVIDED WITHIN THE FOOT OF THE EQUIPMENT LOCATION.
- (6) ALLOW A MINIMUM OF 24 HOURS BEFORE REPAIR FOR FILLING.
- (7) TO PREVENT THE OBSTRUCTION OF THE DRAIN FLOW DO NOT MAKE A DIRECT CONNECTION TO THE DRAIN. PROVIDE AN AIR GAP TOP OF AT LEAST FOUR TIMES THE DIAMETER OF THE DRAIN PIPE OR CONNECTION TO LOCAL SEWERAGE CODES.
- (8) WHEN USED A BRASS METAL THERE MUST BE A BRASS ANCHOR OF STRONG PIPE BEFORE AND AFTER THE SENSOR. REFER TO THE INSTALLATION INSTRUCTIONS FOR DETAILS.
- (9) SENSORS USED FOR DRAIN BACK MUST NOT BE SUBJECT TO NEGATIVE PRESSURE FROM BREAK OR DRAIN LINE INSTALLED UNDER BREAKER OR INLET PIPING & THE DRAIN LINE IS SUBJECT TO A VACUUM.
- (10) BRACK THESE DIMENSIONS SHOWN ARE FOR THE BRACK ONLY. MUST CONSIDERABLY SELECTED FOR USE WITH THIS SENSORS.

DIMENSIONS (INCHES)		USE THIS FOR YOUR	
MODEL	HEIGHT	DRAIN	TYPE
40-10-1.5	27	5/8	1/2"
40-10-1.5	40	7/8	3/4"
40-10-1.5	47	1 1/8	1"
40-10-1.5	55	1 1/4	1 1/8"
40-10-1.5	62	1 1/2	1 1/4"
40-10-1.5	70	1 3/4	1 3/8"
40-10-1.5	77	1 7/8	1 1/2"
40-10-1.5	85	2	1 3/4"
40-10-1.5	92	2 1/8	2"
40-10-1.5	100	2 1/4	2 1/8"
40-10-1.5	107	2 1/2	2 1/4"
40-10-1.5	115	2 3/4	2 3/8"
40-10-1.5	122	2 7/8	2 1/2"
40-10-1.5	130	3	2 3/4"
40-10-1.5	137	3 1/8	3"
40-10-1.5	145	3 1/4	3 1/8"
40-10-1.5	152	3 1/2	3 1/4"
40-10-1.5	160	3 3/4	3 1/2"
40-10-1.5	167	3 7/8	3 3/8"
40-10-1.5	175	4	3 1/2"
40-10-1.5	182	4 1/8	3 3/4"
40-10-1.5	190	4 1/4	3 3/8"
40-10-1.5	197	4 1/2	3 3/4"
40-10-1.5	205	4 3/4	3 3/8"
40-10-1.5	212	4 7/8	3 3/4"
40-10-1.5	220	5	3 3/8"
40-10-1.5	227	5 1/8	3 3/4"
40-10-1.5	235	5 1/4	3 3/8"
40-10-1.5	242	5 1/2	3 3/4"
40-10-1.5	250	5 3/4	3 3/8"
40-10-1.5	257	5 7/8	3 3/4"
40-10-1.5	265	6	3 3/8"
40-10-1.5	272	6 1/8	3 3/4"
40-10-1.5	280	6 1/4	3 3/8"
40-10-1.5	287	6 1/2	3 3/4"
40-10-1.5	295	6 3/4	3 3/8"
40-10-1.5	302	6 7/8	3 3/4"
40-10-1.5	310	7	3 3/8"
40-10-1.5	317	7 1/8	3 3/4"
40-10-1.5	325	7 1/4	3 3/8"
40-10-1.5	332	7 1/2	3 3/4"
40-10-1.5	340	7 3/4	3 3/8"
40-10-1.5	347	7 7/8	3 3/4"
40-10-1.5	355	8	3 3/8"
40-10-1.5	362	8 1/8	3 3/4"
40-10-1.5	370	8 1/4	3 3/8"
40-10-1.5	377	8 1/2	3 3/4"
40-10-1.5	385	8 3/4	3 3/8"
40-10-1.5	392	8 7/8	3 3/4"
40-10-1.5	400	9	3 3/8"
40-10-1.5	407	9 1/8	3 3/4"
40-10-1.5	415	9 1/4	3 3/8"
40-10-1.5	422	9 1/2	3 3/4"
40-10-1.5	430	9 3/4	3 3/8"
40-10-1.5	437	9 7/8	3 3/4"
40-10-1.5	445	10	3 3/8"
40-10-1.5	452	10 1/8	3 3/4"
40-10-1.5	460	10 1/4	3 3/8"
40-10-1.5	467	10 1/2	3 3/4"
40-10-1.5	475	10 3/4	3 3/8"
40-10-1.5	482	10 7/8	3 3/4"
40-10-1.5	490	11	3 3/8"
40-10-1.5	497	11 1/8	3 3/4"
40-10-1.5	505	11 1/4	3 3/8"
40-10-1.5	512	11 1/2	3 3/4"
40-10-1.5	520	11 3/4	3 3/8"
40-10-1.5	527	11 7/8	3 3/4"
40-10-1.5	535	12	3 3/8"
40-10-1.5	542	12 1/8	3 3/4"
40-10-1.5	550	12 1/4	3 3/8"
40-10-1.5	557	12 1/2	3 3/4"
40-10-1.5	565	12 3/4	3 3/8"
40-10-1.5	572	12 7/8	3 3/4"
40-10-1.5	580	13	3 3/8"
40-10-1.5	587	13 1/8	3 3/4"
40-10-1.5	595	13 1/4	3 3/8"
40-10-1.5	602	13 1/2	3 3/4"
40-10-1.5	610	13 3/4	3 3/8"
40-10-1.5	617	13 7/8	3 3/4"
40-10-1.5	625	14	3 3/8"
40-10-1.5	632	14 1/8	3 3/4"
40-10-1.5	640	14 1/4	3 3/8"
40-10-1.5	647	14 1/2	3 3/4"
40-10-1.5	655	14 3/4	3 3/8"
40-10-1.5	662	14 7/8	3 3/4"
40-10-1.5	670	15	3 3/8"
40-10-1.5	677	15 1/8	3 3/4"
40-10-1.5	685	15 1/4	3 3/8"
40-10-1.5	692	15 1/2	3 3/4"
40-10-1.5	700	15 3/4	3 3/8"
40-10-1.5	707	15 7/8	3 3/4"
40-10-1.5	715	16	3 3/8"
40-10-1.5	722	16 1/8	3 3/4"
40-10-1.5	730	16 1/4	3 3/8"
40-10-1.5	737	16 1/2	3 3/4"
40-10-1.5	745	16 3/4	3 3/8"
40-10-1.5	752	16 7/8	3 3/4"
40-10-1.5	760	17	3 3/8"
40-10-1.5	767	17 1/8	3 3/4"
40-10-1.5	775	17 1/4	3 3/8"
40-10-1.5	782	17 1/2	3 3/4"
40-10-1.5	790	17 3/4	3 3/8"
40-10-1.5	797	17 7/8	3 3/4"
40-10-1.5	805	18	3 3/8"
40-10-1.5	812	18 1/8	3 3/4"
40-10-1.5	820	18 1/4	3 3/8"
40-10-1.5	827	18 1/2	3 3/4"
40-10-1.5	835	18 3/4	3 3/8"
40-10-1.5	842	18 7/8	3 3/4"
40-10-1.5	850	19	3 3/8"
40-10-1.5	857	19 1/8	3 3/4"
40-10-1.5	865	19 1/4	3 3/8"
40-10-1.5	872	19 1/2	3 3/4"
40-10-1.5	880	19 3/4	3 3/8"
40-10-1.5	887	19 7/8	3 3/4"
40-10-1.5	895	20	3 3/8"
40-10-1.5	902	20 1/8	3 3/4"
40-10-1.5	910	20 1/4	3 3/8"
40-10-1.5	917	20 1/2	3 3/4"
40-10-1.5	925	20 3/4	3 3/8"
40-10-1.5	932	20 7/8	3 3/4"
40-10-1.5	940	21	3 3/8"
40-10-1.5	947	21 1/8	3 3/4"
40-10-1.5	955	21 1/4	3 3/8"
40-10-1.5	962	21 1/2	3 3/4"
40-10-1.5	970	21 3/4	3 3/8"
40-10-1.5	977	21 7/8	3 3/4"
40-10-1.5	985	22	3 3/8"
40-10-1.5	992	22 1/8	3 3/4"
40-10-1.5	1000	22 1/4	3 3/8"



4 WATER SOFTENER SPECIFICATION
NOT TO SCALE



2 WATER SOFTENER DETAIL
NOT TO SCALE

RECEIVABLE PER DIVISION IS FOR WATER SOFTENER CONTROLS PLUS

ROUTE DISCHARGE TO MOP SINK BELOW WITH AIR GAP PER LOCAL CODE

2" SW ON TO SYSTEM

2" SW UP TO WATER SOFTENER

BI-PASS VALVE NORMALLY CLOSED

COLD WATER SUPPLY WITH SHUT-OFF VALVE

STRAINER

1/2\"/>

1/2\"/>

1/2\"/>

1/2\"/>

1/2\"/>

1/2\"/>

1/2\"/>

1/2\"/>

1/2\"/>

1/2\"/>

1/2\"/>

1/2\"/>

1/2\"/>

1/2\"/>

1/2\"/>

1/2\"/>

1/2\"/>

1/2\"/>

1/2\"/>

1/2\"/>

1/2\"/>

1/2\"/>

1/2\"/>

1/2\"/>

1/2\"/>