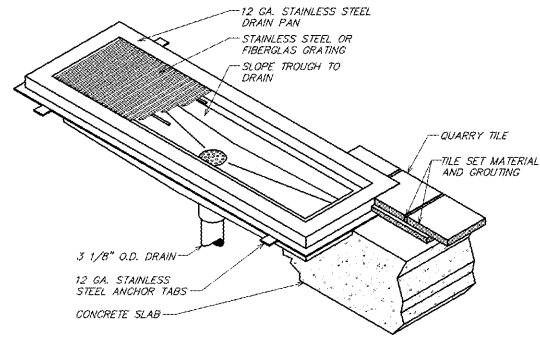
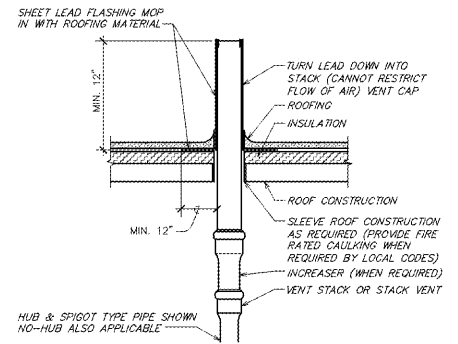


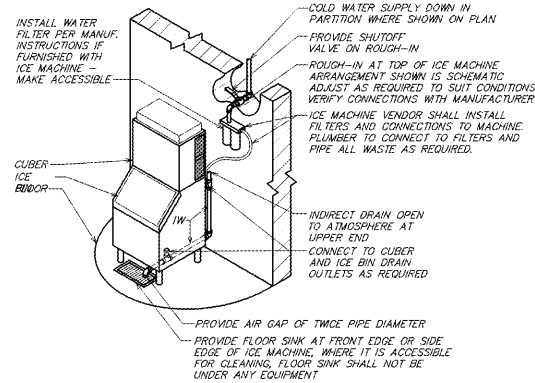
1 ROOFTOP UNIT CONDENSATE TRAP
NOT TO SCALE



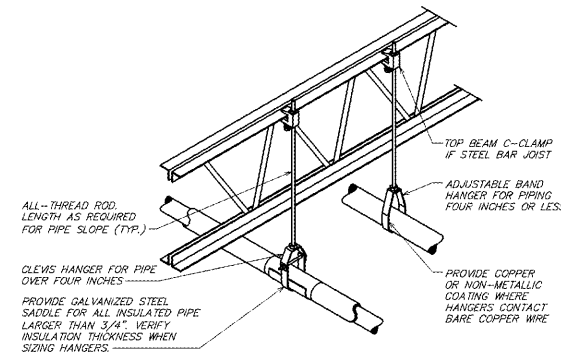
6 FLOOR TROUGH DETAIL
NOT TO SCALE



10 VENT TERMINATION LEAD FLASHING
NOT TO SCALE

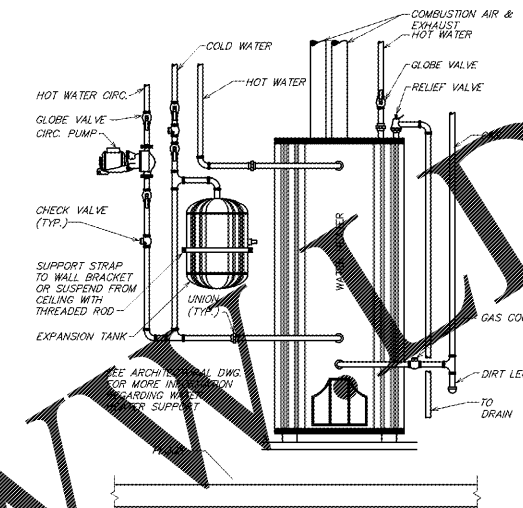


2 ICE MACHINE CONNECTION DETAIL
NOT TO SCALE

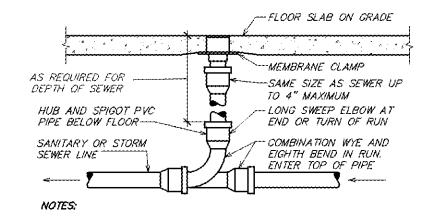


NOTE: PROVIDE UPPER ATTACHMENT AS REQUIRED FOR CASES NOT SHOWN HERE. DO NOT INSTALL HANGER INSIDE INSULATION OR OTHERWISE PENETRATE VAPOR BARRIER. DO NOT HANG ONE PIPE FROM ANOTHER EXCEPT IN CHASES. TRAPEZE HANGERS MAY BE USED FOR MULTIPLE PARALLEL PIPES. HANGER SPACING FOR PIPE SIZE: COPPER: 4\"/>

7 PIPE INSULATION DETAIL
NOT TO SCALE

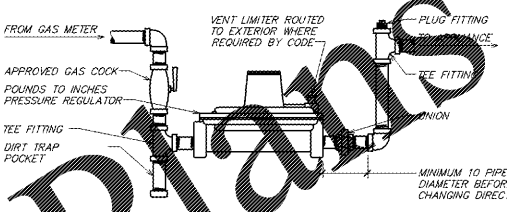


11 WATER HEATER HOOK-UP
NOT TO SCALE

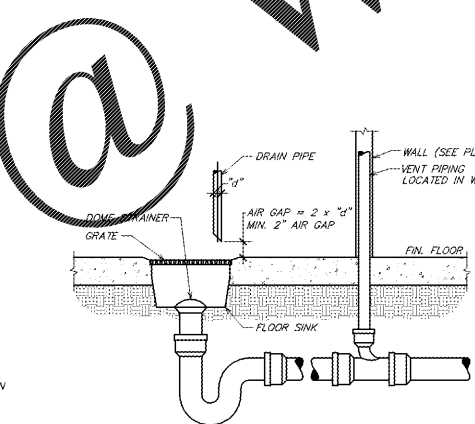


NOTES:
1. LOCATE AT BUILDING EXIT, AT ENDS OF RUNS, AT TURNS OF PIPE GREATER THAN 45 DEGREES, AT 90° INTERVALS ON STRAIGHT RUNS, AND WHERE SHOWN ON PLANS. PROVIDE BACKFILL PER ARCHITECTURAL SPECIFICATIONS. LOCATE CLEANOUTS WHERE THERE IS 18\"/>

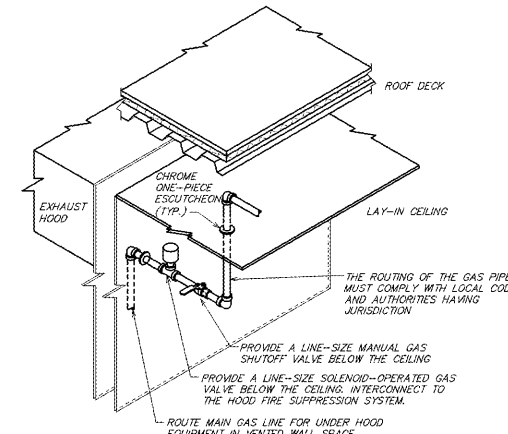
3 FLOOR CLEANOUT DETAIL
NOT TO SCALE



4 NATURAL GAS PRESSURE REGULATOR
NOT TO SCALE

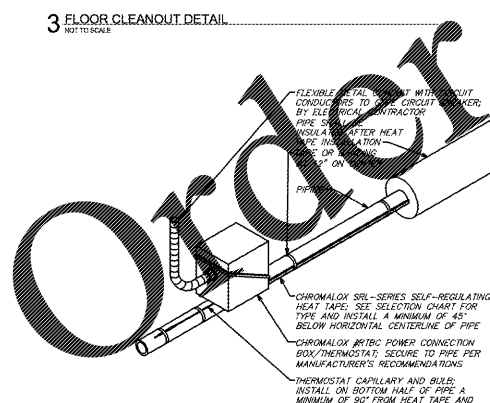


8 FLOOR SINK DETAIL
NOT TO SCALE



SEQUENCE OF OPERATIONS:
NORMAL MODE: WHEN HOOD FAN IS ENERGIZED SOLENOID VALVE IS TO OPEN. ON A LOSS OF POWER OR IF THE FAN IS DE-ENERGIZED THE VALVE IS TO CLOSE.
EMERGENCY MODE: UPON ACTUATION OF THE FIRE SUPPRESSION SYSTEM OR A SIGNAL FROM THE FIRE ALARM, THE SOLENOID VALVE IS TO CLOSE.

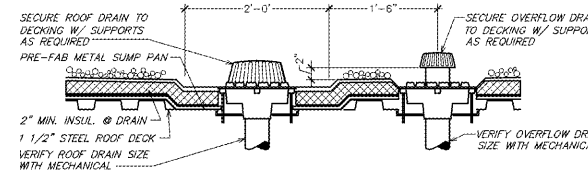
12 KITCHEN GAS SHUTOFF DETAIL
NOT TO SCALE



TRAC. SIZE	MODEL NUMBER	W/FT
3/8"	SRL3	3
1/2"	SRL3	3
3/4"	SRL3	3
1"	SRL3	5
1 1/4"	SRL3	5
1 1/2"	SRL3	5
2"	SRL3	8
2 1/2"	SRL3	8
3"	SRL3	8
4"	SRL10	10
6"	SRL10 (2 PASSES)	16
8"	SRL10 (2 PASSES)	16
10"	SRL10 (2 PASSES)	20
12"	SRL10 (2 PASSES)	20

* BASED ON 50° F DELTA T WITH 1" ASTM C547 INSULATION

5 HEAT TRACE DETAIL
NOT TO SCALE



9 ROOF DRAIN
NOT TO SCALE

Firebirds Peachtree Corners

5215 Town Center Blvd, Suite 850
Peachtree Corners, GA 30092

www.firebirds.com
WOOD BRED GRILL

starr design
blended environments

Starr Design, PLLC
1435 West Meredith St, Suite 240
Charlotte, NC 28208
V: 704 377 5200 F: 704 377 5201
www.starrdesign.com

CONSTRUCTION DOCUMENTS
05/10/18

No.	Description	Date



PLUMBING DETAILS

P3.01