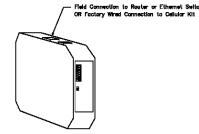


**ELECTRICAL PACKAGES - Job#3112818**

NO.	TAG	PACKAGE #	LOCATION	SWITCHES		OPTION	FANS CONTROLLED					
				LOCATION	QUANTITY		FAN TAG	TYPE	H.P.	VOL.1	FLA.	
1		SC-32110FP	Utility Cabinet Left	03 - Utility Cabinet Left	1 Light	Smart Control Thermostatic Control	MAIN R EF	Exhaust	3	2,000	Z08	8.3
				Hood # 1	1 Fan		MAIN SF	Supply	3	5,000	Z08	14.8
2		SC-31110FP	Utility Cabinet Right	04 - Utility Cabinet Right	1 Light	Smart Control Thermostatic Control	GRILL EF	Exhaust	3	3,000	Z08	8.7
				Hood # 3	1 Fan		GRILL SF	Supply	3	2,000	Z08	5.9
3		SC-31110FP	Utility Cabinet Left	03 - Utility Cabinet Left	1 Light	Smart Control Thermostatic Control	BACK EF	Exhaust	3	1,000	Z08	3.8
				Hood # 4	1 Fan		BACK SF	Supply	3	1,000	Z08	4.6

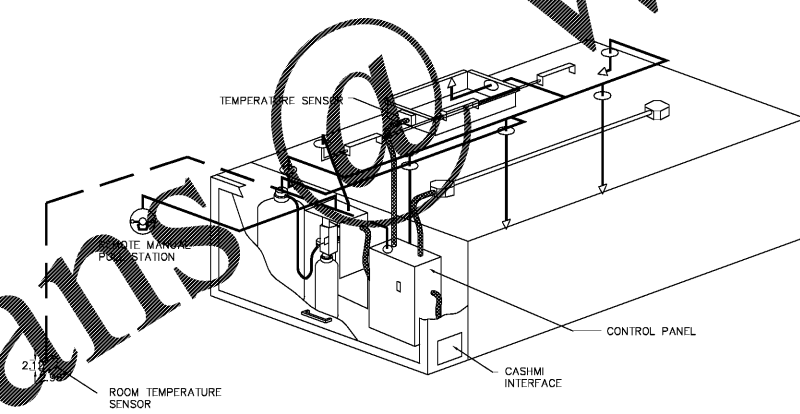
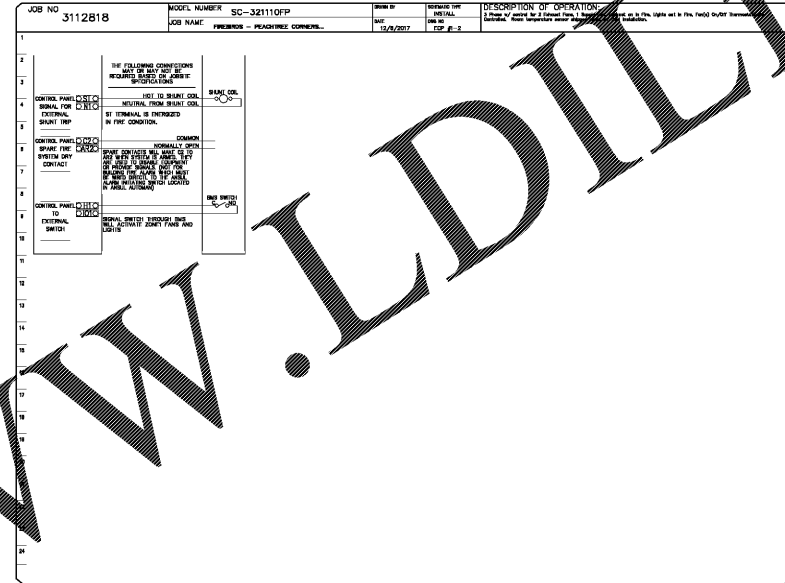
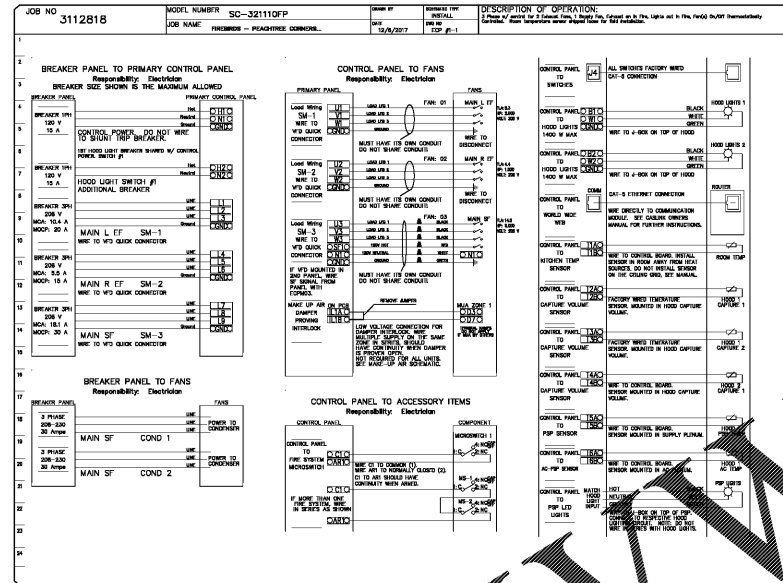


CASlink Monitor and Control

Hood control panel to support communications to cloud-based Building Management System.  
Hood Control Panel to allow cloud-based Building Management System to monitor and store parameters outlined on MONITOR in the panel IAC.  
Hood Control Panel to allow cloud-based Building Management System to control operations outlined on CONTROL in the panel IAC.  
Hood control panel to allow remote diagnosis to prevent setting such as: VFD Frequencies, ECM speeds, temperature set points, fan and wash subroutines, etc.

**MONITORING AND CONTROL POINTS LIST**

NO.	Package	Function	NO.	Package	Function
1	Heat Temperature	MONITOR	1	Heat Temperature	MONITOR
2	Exhaust Temperature	MONITOR	2	Exhaust Temperature	MONITOR
3	MAX Discharge Temperature	MONITOR	3	MAX Discharge Temperature	MONITOR
4	Minimum VFD Discharge Temperature	MONITOR	4	Minimum VFD Discharge Temperature	MONITOR
5	Fan Speed	MONITOR	5	Exhaust Fan Status	MONITOR
6	Fan Amperage	MONITOR	6	Fan Status	MONITOR
7	Fan Power	MONITOR	7	Fan Faults	MONITOR
8	VFD Faults	MONITOR	8	Fan Faults	MONITOR
9	Exhauster Faults	MONITOR	9	Fan Filter Chg Percentage	MONITOR
10	Fan Faults	MONITOR	10	Fan Faults	MONITOR
11	Fan Status	MONITOR	11	Exhauster Faults	MONITOR
12	Fan Faults	MONITOR	12	Fan Status	MONITOR
13	Fan Filter Chg Percentage	MONITOR	13	Fan Faults	MONITOR
14	Fan On/Off	MONITOR	14	Fan Filter Chg Percentage	MONITOR
15	Exhauster Faults	MONITOR	15	Fan On/Off	MONITOR
16	Fan Status	MONITOR	16	Exhauster Faults	MONITOR
17	Fan Faults	MONITOR	17	Fan Status	MONITOR
18	Fan Filter Chg Percentage	MONITOR	18	Fan Faults	MONITOR
19	Fan On/Off	MONITOR	19	Fan Filter Chg Percentage	MONITOR
20	Exhauster Faults	MONITOR	20	Fan On/Off	MONITOR
21	Fan Status	MONITOR	21	Exhauster Faults	MONITOR
22	Fan Faults	MONITOR	22	Fan Status	MONITOR
23	Fan Filter Chg Percentage	MONITOR	23	Fan Faults	MONITOR
24	Fan On/Off	MONITOR	24	Fan Filter Chg Percentage	MONITOR
25	Exhauster Faults	MONITOR	25	Fan On/Off	MONITOR
26	Fan Status	MONITOR	26	Exhauster Faults	MONITOR
27	Fan Faults	MONITOR	27	Fan Status	MONITOR
28	Fan Filter Chg Percentage	MONITOR	28	Fan Faults	MONITOR
29	Fan On/Off	MONITOR	29	Fan Filter Chg Percentage	MONITOR
30	Exhauster Faults	MONITOR	30	Fan On/Off	MONITOR
31	Fan Status	MONITOR	31	Exhauster Faults	MONITOR
32	Fan Faults	MONITOR	32	Fan Status	MONITOR
33	Fan Filter Chg Percentage	MONITOR	33	Fan Faults	MONITOR
34	Fan On/Off	MONITOR	34	Fan Filter Chg Percentage	MONITOR
35	Exhauster Faults	MONITOR	35	Fan On/Off	MONITOR
36	Fan Status	MONITOR	36	Exhauster Faults	MONITOR
37	Fan Faults	MONITOR	37	Fan Status	MONITOR
38	Fan Filter Chg Percentage	MONITOR	38	Fan Faults	MONITOR
39	Fan On/Off	MONITOR	39	Fan Filter Chg Percentage	MONITOR
40	Exhauster Faults	MONITOR	40	Fan On/Off	MONITOR
41	Fan Status	MONITOR	41	Exhauster Faults	MONITOR
42	Fan Faults	MONITOR	42	Fan Status	MONITOR
43	Fan Filter Chg Percentage	MONITOR	43	Fan Faults	MONITOR
44	Fan On/Off	MONITOR	44	Fan Filter Chg Percentage	MONITOR
45	Exhauster Faults	MONITOR	45	Fan On/Off	MONITOR
46	Fan Status	MONITOR	46	Exhauster Faults	MONITOR
47	Fan Faults	MONITOR	47	Fan Status	MONITOR
48	Fan Filter Chg Percentage	MONITOR	48	Fan Faults	MONITOR
49	Fan On/Off	MONITOR	49	Fan Filter Chg Percentage	MONITOR
50	Exhauster Faults	MONITOR	50	Fan On/Off	MONITOR



TYPICAL CONTROL CENTER INSTALLATION

**REVISIONS**

NO.	DESCRIPTION	DATE

**CAPTIVE**  
Piedmont Area Office  
6303 Carmel Road, Suite #105, Charlotte, NC 28226 PHONE: (704) 844-8088 FAX: (919) 227-9852 EMAIL: rpg@captivedesign.com

FIREBIRDS - PEACHTREE CORNERS, GA  
NORCROSS, GA, 30071

DATE: 12/6/2017  
DWG.#: 3112818  
DRAWN BY: ewon.zipperer  
SCALE: 3/4" = 1'-0"  
MASTER DRAWING

SHEET NO. 10

CONSTRUCTION DOCUMENTS  
5/10/2018

No.	Description	Date

Steven A. Starr, AIA  
Lic. #  
Signature Date:  
Date of expiration:

HOOD MANUFACTURER SHOP DRAWINGS  
**QF710**