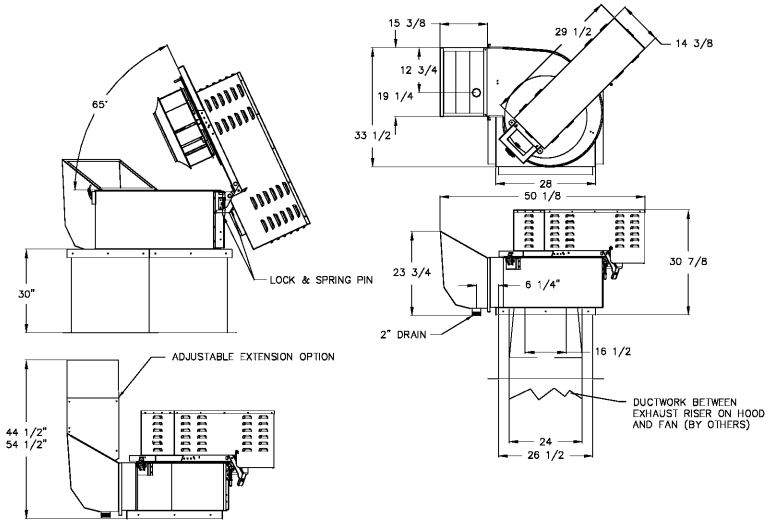


FAN #4\_CASREIBDD - EXHAUST FAN (GRILL FT)



**FEATURES:**

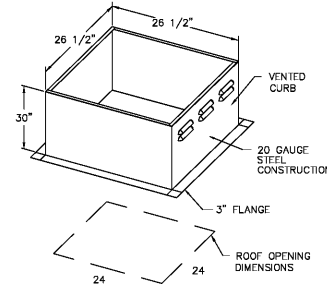
- ROOF MOUNTED FANS
- RESTAURANT MODEL
- UL782
- HIGH HEAT OPERATION DIRECT DRIVE 300°F (149°C)
- HIGH HEAT OPERATION BELT DRIVE 500°F (260°C)
- HEAT SLINGER
- GREASE CLASSIFICATION TESTING
- TILT OUT WHEEL
- LOCKING PIN FOR POWER PACK
- MOTOR WEATHER COVER
- INTERLOCKED DISCONNECT SWITCH

**NORMAL TEMPERATURE TEST DIRECT DRIVE EXHAUST FAN MUST OPERATE CONTINUOUSLY WHILE EXHAUSTING AIR AT 300°F (149°C) UNTIL ALL FAN PARTS HAVE REACHED THERMAL EQUILIBRIUM, AND WITHOUT ANY DETERIORATING EFFECTS TO THE FAN WHICH WOULD CAUSE UNSAFE OPERATION.**

**ABNORMAL FLARE-UP TEST BELT & DIRECT DRIVE EXHAUST FAN MUST OPERATE CONTINUOUSLY WHILE EXHAUSTING BURNING GREASE VAPORS AT 600°F (316°C) FOR A PERIOD OF 15 MINUTES WITHOUT THE FAN BECOMING DAMAGED TO ANY EXTENT THAT COULD CAUSE AN UNSAFE CONDITION.**

**OPTIONS:**

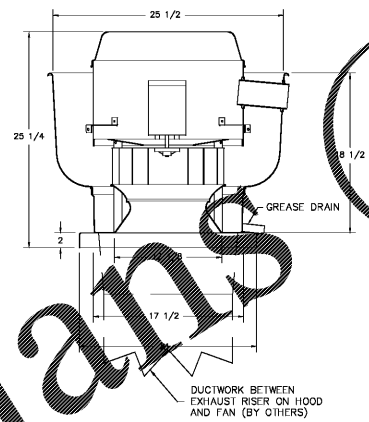
- UTILITY SET GREASE CLIP
- RETROD - HIGH TEMPERATURE HEAT & SMOKE OPTION
- FULL CRATING FOR EXHAUST FANS
- RE18 - DISCHARGE EXTENSION ASSEMBLY WITH HARDWARE



PITCHED CURBS ARE AVAILABLE FOR PITCHED ROOFS.

SPECIFY PITCH:  
EXAMPLE: 7/12 PITCH = 30° SLOPE

FAN #8\_DUSSHFA - EXHAUST FAN (DISL FT)



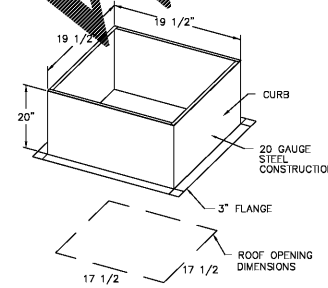
**FEATURES:**

- DIRECT DRIVE CONSTRUCTION (NO BELT DRIVE)
- ROOF MOUNTED FANS
- RESTAURANT MODEL
- UL705 AND UL782
- VARIABLE SPEED CONTROL
- INTERNAL WEATHER COVER
- INTERLOCKED DISCONNECT SWITCH
- THERMAL OVERLOAD PROTECTION (SINGLE PHASE)
- HIGH HEAT OPERATION 300°F (149°C)
- GREASE CLASSIFICATION TESTING
- NORMAL TEMPERATURE TEST
- EXHAUST FAN MUST OPERATE CONTINUOUSLY WHILE EXHAUSTING AIR AT 300°F (149°C) UNTIL ALL FAN PARTS HAVE REACHED THERMAL EQUILIBRIUM, AND WITHOUT ANY DETERIORATING EFFECTS TO THE FAN WHICH WOULD CAUSE UNSAFE OPERATION.

**ABNORMAL FLARE-UP TEST EXHAUST FAN MUST OPERATE CONTINUOUSLY WHILE EXHAUSTING BURNING GREASE VAPORS AT 600°F (316°C) FOR A PERIOD OF 15 MINUTES WITHOUT THE FAN BECOMING DAMAGED TO ANY EXTENT THAT COULD CAUSE AN UNSAFE CONDITION.**

**OPTIONS:**

- GREASE BOX
- FULL CRATING FOR EXHAUST FANS



PITCHED CURBS ARE AVAILABLE FOR PITCHED ROOFS.

SPECIFY PITCH:  
EXAMPLE: 7/12 PITCH = 30° SLOPE

REVISIONS	
DESCRIPTION	DATE

**CAPTIVE**  
Piedmont Area Office  
6303 Camel Road, Suite #105, Charlotte, NC 28226 PHONE: (704) 844-8088 FAX: (919) 227-5952 EMAIL: rpg3@captivemfg.com

FIREBIRDS - PEACHTREE CORNERS, GA  
NORCROSS, GA, 30071

DATE: 12/6/2017  
DWG.#: 3112818  
DRAWN BY: evon.zipperer  
SCALE: 3/4" = 1'-0"  
MASTER DRAWING

SHEET NO. 6

CONSTRUCTION DOCUMENTS  
5/10/2018

No.	Description	Date

Steven A. Starr, AIA  
Lic. #  
Signature Date:  
Date of expiration:

HOOD MANUFACTURER SHOP DRAWINGS  
**QF706**