

No.	Description	Date

Steven A. Starr, AIA
Lic. #
Signature Date:
Date of expiration:

EXHAUST FAN INFORMATION - Job#3112818

FAN UNIT NO.	TAG	FAN UNIT MODEL #	CFM	ESP.	RPM	H.P.	B.H.P.	#	VOLTA	FLA	DISCHARGE VELOCITY	WEIGHT (LBS.)	SONES
1	MAIN L EF	DUI80HFA	3162	1.250	1263	2.000	1.1330	3	208	8.3	730 FPM	216	18.3
2	MAIN R EF	DUI80HFA	2400	1.250	1137	1.500	0.7800	3	208	4.4	554 FPM	194	13.9
4	GRILL EF	CASREYBOD	3200	1.750	1490	3.000	1.8120	3	208	8.7	1856 FPM	351	24
6	BACK EF	DUI80HFA	2400	1.200	1122	1.000	0.7910	3	208	3.8	554 FPM	183	13.6
8	DISH EF	DUI30HFA	800	0.500	1378	0.333	0.1780	1	115	5.6	396 FPM	108	9.9

NOTE:
FANS SIZED FOR CURRENT STATIC PRESSURE, INCREASES MAY VARY PERFORMANCE. PLEASE VERIFY.
FAN START-UP AND AIR BALANCE ARE BY INSTALLING CONTRACTOR AND ARE CRITICAL TO THE PROPER OPERATION OF THE HOOD SYSTEM

CONDENSER DETAILS

FAN UNIT NO.	TAG	FAN UNIT MODEL #	CONDENSER NO.	TONNAGE	VOLTAGE	PHASE	FREQUENCY	MCA	RLA	MAX. FUSE SIZE	MIN. WIRC SIZE	SETR
3	MAIN SF	A2-D-750-G15-MPU	1	5	208-230	3 PHASE	60 Hz	21.4 Amps	17.4 Amps	30 Amps	12 AWG	14
5	GRILL SF	A1-D-500-G10-MPU	2	2.5	208-230	3 PHASE	60 Hz	11.2 Amps	9.07 Amps	20 Amps	14 AWG	14
7	BACK SF	A1-D-500-G10-MPU	2	2.5	208-230	3 PHASE	60 Hz	11.2 Amps	9.07 Amps	20 Amps	14 AWG	14

MUA FAN INFORMATION - Job#3112818

FAN UNIT NO.	TAG	FAN UNIT MODEL #	BLOWER HOUSING	DESIGN CFM	ESP.	RPM	H.P.	B.H.P.	#	VOLTA	COOLING COIL ENTERING DB TEMP.	COOLING COIL ENTERING WB TEMP.	COOLING COIL LEAVING DB TEMP.	COOLING COIL LEAVING WB TEMP.	COOLING COIL TOTAL CAPACITY	COOLING COIL SENSIBLE CAPACITY	COOLING COIL LATENT CAPACITY	WEIGHT (LBS.)	SONES	BURNER EFFICIENCY(%)			
3	MAIN SF	A2-D-750-G15-MPU	G15-PB	A2-D-750	2000	4537	0.600	1202	5.000	4.0570	3	208	14.5	91.0T	74.0T	76.2T	87.9T	106.2 MBH	72.3 MBH	33.9 MBH	1857	24	92
5	GRILL SF	A1-D-500-G10-MPU	G10	A1-D-500	2080	4.450	1264	2.000	1.1600	3	208	5.9	91.0T	74.0T	74.6T	87.1T	54.9 MBH	36.8 MBH	18.1 MBH	1363	23	92	
7	BACK SF	A1-D-500-G10-MPU	G10	A1-D-500	2040	0.400	1225	1.500	1.0700	3	208	4.6	91.0T	74.0T	74.4T	87.0T	54.3 MBH	36.5 MBH	17.8 MBH	1274	22	92	

GAS FIRED MAKE-UP AIR UNITS(S)

FAN UNIT NO.	TAG	INPUT BTUs	OUTPUT BTUs	TEMP. RISE	REQUIRED INPUT GAS PRESSURE	GAS TYPE
3	MAIN SF	351516	323397	66 deg F	7 in. w.c. - 14 in. w.c.	Natural
5	GRILL SF	181154	148282	66 deg F	7 in. w.c. - 14 in. w.c.	Natural
7	BACK SF	158050	145411	66 deg F	7 in. w.c. - 14 in. w.c.	Natural

FAN OPTIONS

FAN UNIT NO.	TAG	OPTION (Qty. - Descr.)
1	MAIN L EF	1 - Grease Box 1 - Exhaust Fan Heat Baffle 1 - Full Grating For Exhaust Fans
2	MAIN R EF	1 - Grease Box 1 - Exhaust Fan Heat Baffle 1 - Full Grating For Exhaust Fans
3	MAIN SF	1 - AC Interlock Relay - 24VAC Coil 1 - Motorized Backdraft Damper for A2-D Housing 1 - Low Fire Start 1 - Inlet Pressure Gauge, 0-35" 1 - Manifold Pressure Gauge, -5 to 15" wc 1 - Full Grating For Commercial Heater 1 - Cooling Thermostat and Relay (Not req for evap) 1 - Separate 120V Wiring Package (Required and used only for DCV or Prewire with VFD) - Three Phase Only 1 - 10 Ton 2 Circuit (5/5) Modular Packaged Cooling Option for Size 2 MUA (3,800 to 5,000 cfm), 208V/230V, 3 phase. Cooling Thermostat or Programmable Stat Required for Proper Operation. 1 - Downturn Plenum for Size 2 DX Coil Module 1 - Utility Set Grease Cup
4	GRILL EF	1 - RET183 - High Temperature Heat & Smoke Option. 1 - Full Grating For Exhaust Fans 1 - RET18 - Discharge Extension Assembly With Hardware. 1 - AC Interlock Relay - 24VAC Coil 1 - Motorized Backdraft Damper for A1-D Housing 1 - Low Fire Start 1 - Inlet Pressure Gauge, 0-35" 1 - Manifold Pressure Gauge, -5 to 15" wc 1 - Full Grating For Commercial Heater 1 - Cooling Thermostat and Relay (Not req for evap)
5	GRILL SF	1 - AC Interlock Relay - 24VAC Coil 1 - Motorized Backdraft Damper for A1-D Housing 1 - Low Fire Start 1 - Inlet Pressure Gauge, 0-35" 1 - Manifold Pressure Gauge, -5 to 15" wc 1 - Full Grating For Commercial Heater 1 - Cooling Thermostat and Relay (Not req for evap) 1 - 5 Ton 2 Circuit (2.5/2.5) Modular Packaged Cooling Option for Size 1 MUA (1,800 to 3,000 cfm), 208V/230V, 3 phase. Cooling Thermostat or Programmable Stat Required for Proper Operation.
6	BACK EF	1 - Grease Box 1 - Full Grating For Exhaust Fans 1 - AC Interlock Relay - 24VAC Coil 1 - Motorized Backdraft Damper for A1-D Housing 1 - Low Fire Start 1 - Inlet Pressure Gauge, 0-35" 1 - Manifold Pressure Gauge, -5 to 15" wc
7	BACK SF	1 - 5 Ton 2 Circuit (2.5/2.5) Modular Packaged Cooling Option for Size 1 MUA (1,800 to 3,000 cfm), 208V/230V, 3 phase. Cooling Thermostat or Programmable Stat Required for Proper Operation. 1 - Full Grating For Commercial Heater 1 - Downturn Plenum for Size 1 DX Coil Module 1 - Cooling Thermostat and Relay (Not req for evap)
8	DISH EF	1 - Grease Box 1 - Full Grating For Exhaust Fans

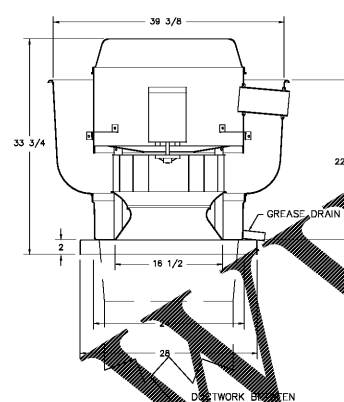
FAN ACCESSORIES

FAN UNIT NO.	TAG	EXHAUST	SUPPLY
1	MAIN L EF	GREASE CUP GRAVITY DAMPER WALL MOUNT SID. DISCHARGE	GRAVITY DAMPER MOTORIZED DAMPER WALL MOUNT
2	MAIN R EF	YES	
3	MAIN SF		
4	GRILL EF	YES	
5	GRILL SF		
6	BACK EF	YES	
7	BACK SF		
8	DISH EF	YES	

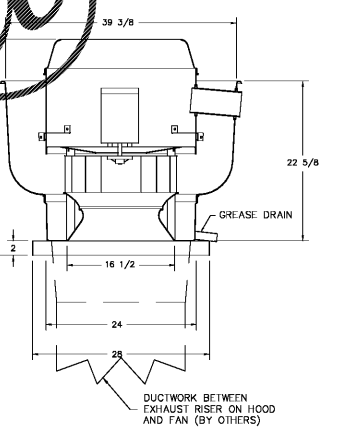
CURB ASSEMBLIES

NO.	DR / FAN	WEIGHT	ITEM	SIZE
1	# 1	34 LBS		28.500"W x 28.500"L x 28.000"H Vented Hinged
2	# 2	34 LBS		28.500"W x 28.500"L x 28.000"H Vented Hinged
3	# 3	27 LBS		8.000"W x 31.000"L x 20.000"H
3	# 3	78 LBS		31.000"W x 79.000"L x 20.000"H Insulated
4	# 4			28.500"W x 28.500"L x 30.000"H Vented
5	# 5	27 LBS		8.000"W x 21.000"L x 20.000"H
5	# 5	63 LBS		21.000"W x 71.000"L x 20.000"H Insulated
6	# 6	32 LBS		28.500"W x 28.500"L x 28.000"H Vented Hinged
7	# 7	20 LBS		8.000"W x 21.000"L x 20.000"H
7	# 7	63 LBS		21.000"W x 71.000"L x 20.000"H Insulated
8	# 8	19 LBS		19.500"W x 19.500"L x 20.000"H

FAN #1 (MAIN L EF), #2 (MAIN R EF) - DUI80HFA EXHAUST FAN



FAN #6 (BACK EF) - DUI80HFA EXHAUST FAN (BACK EF)

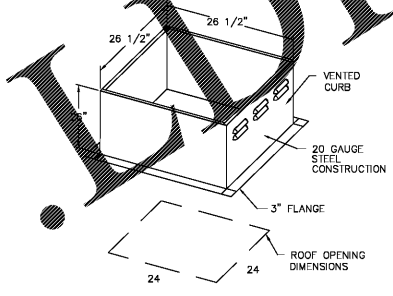


FEATURES:

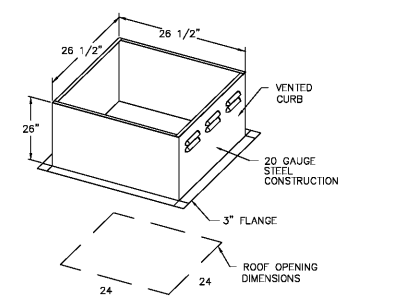
- DIRECT DRIVE CONSTRUCTION (NO BELTS/PULLEYS)
 - ROOF MOUNTED FANS
 - RESTAURANT MODEL
 - UL705 AND UL782
 - VARIABLE SPEED CONTROL
 - INTERNAL WIRING
 - WEATHERPROOF DISCONNECT
 - THERMAL OVERLOAD PROTECTION (SINGLE PHASE)
 - HIGH HEAT OPERATION 300T (149C)
 - GREASE CLASSIFICATION TESTING
- NORMAL TEMPERATURE TEST**
EXHAUST FAN MUST OPERATE CONTINUOUSLY WHILE EXHAUSTING AIR AT 300T (149C) UNTIL ALL FAN PARTS HAVE REACHED THERMAL EQUILIBRIUM, AND WITHOUT ANY DETRIMENTARY EFFECTS TO THE FAN WHICH WOULD CAUSE UNSAFE OPERATION.
- ABNORMAL FLARE-UP TEST**
EXHAUST FAN MUST OPERATE CONTINUOUSLY WHILE EXHAUSTING BURNING GREASE VAPORS AT 300T (149C) FOR A PERIOD OF 15 MINUTES WITHOUT THE FAN BECOMING DAMAGED TO ANY EXTENT THAT COULD CAUSE AN UNSAFE CONDITION.
- OPTIONS**
GREASE BOX
EXHAUST FAN HEAT BATTLE
FULL GRATING FOR EXHAUST FANS

FEATURES:

- DIRECT DRIVE CONSTRUCTION (NO BELTS/PULLEYS)
 - ROOF MOUNTED FANS
 - RESTAURANT MODEL
 - UL705 AND UL782
 - VARIABLE SPEED CONTROL
 - INTERNAL WIRING
 - WEATHERPROOF DISCONNECT
 - THERMAL OVERLOAD PROTECTION (SINGLE PHASE)
 - HIGH HEAT OPERATION 300T (149C)
 - GREASE CLASSIFICATION TESTING
- NORMAL TEMPERATURE TEST**
EXHAUST FAN MUST OPERATE CONTINUOUSLY WHILE EXHAUSTING AIR AT 300T (149C) UNTIL ALL FAN PARTS HAVE REACHED THERMAL EQUILIBRIUM, AND WITHOUT ANY DETRIMENTARY EFFECTS TO THE FAN WHICH WOULD CAUSE UNSAFE OPERATION.
- ABNORMAL FLARE-UP TEST**
EXHAUST FAN MUST OPERATE CONTINUOUSLY WHILE EXHAUSTING BURNING GREASE VAPORS AT 300T (149C) FOR A PERIOD OF 15 MINUTES WITHOUT THE FAN BECOMING DAMAGED TO ANY EXTENT THAT COULD CAUSE AN UNSAFE CONDITION.
- OPTIONS**
GREASE BOX
FULL GRATING FOR EXHAUST FANS



PITCHED CURBS ARE AVAILABLE FOR PITCHED ROOFS.
SPECIFY PITCH:
EXAMPLE: 7/12 PITCH = 30° SLOPE



PITCHED CURBS ARE AVAILABLE FOR PITCHED ROOFS.
SPECIFY PITCH:
EXAMPLE: 7/12 PITCH = 30° SLOPE

REVISIONS

NO.	DESCRIPTION	DATE

CAPTIVE
Piedmont Area Office
6303 Carmel Road, Suite #105, Charlotte, NC 28226 PHONE: (704) 844-8888 FAX: (919) 227-5852 EMAIL: rpg3@captivewire.com

FIREBIRDS - PEACHTREE CORNERS, GA
NORCROSS, GA, 30071

DATE: 12/6/2017
DWG.#: 3112818
DRAWN BY: evon.zipperer
SCALE: 3/4" = 1'-0"
MASTER DRAWING
SHEET NO. 5

Order Plans @

Project address | name
client
designers
job status
revisions
sheet number | title