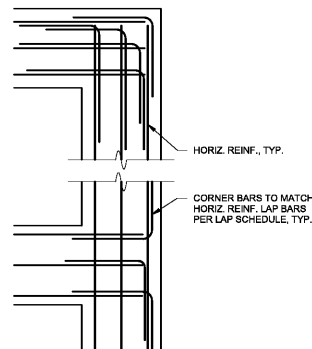
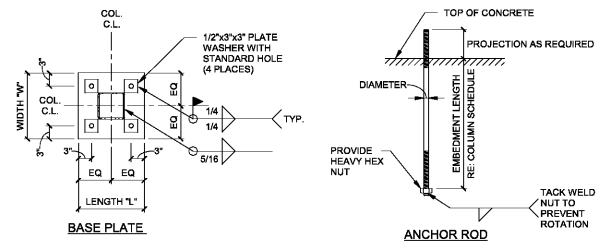


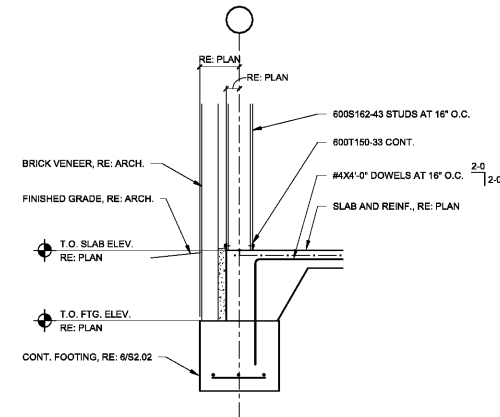
CONCRETE REINFORCING LAP SCHEDULE		
BAR SIZE	LAP LENGTH (ft=3000psi)	
#3	TOP BARS	OTHER
#3	28"	22"
#4	35"	29"
#5	47"	38"
#6	56"	43"
#7	81"	63"
#8	93"	72"
#9	105"	81"
#10	118"	91"



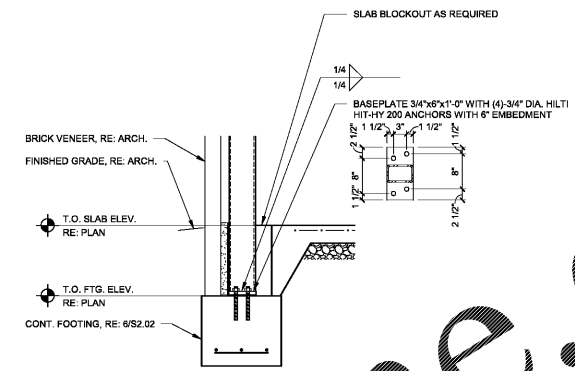
13 CORNER BAR DETAIL
3/4" = 1'-0"



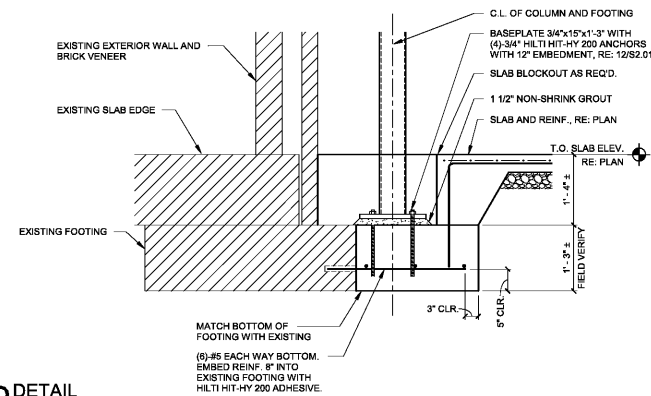
12 ANCHOR ROD AND BASE PLATE DIAGRAM
3/4" = 1'-0"



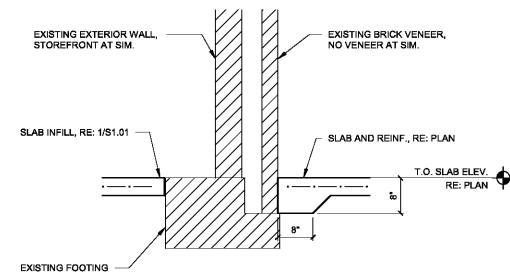
11 DETAIL
3/4" = 1'-0"



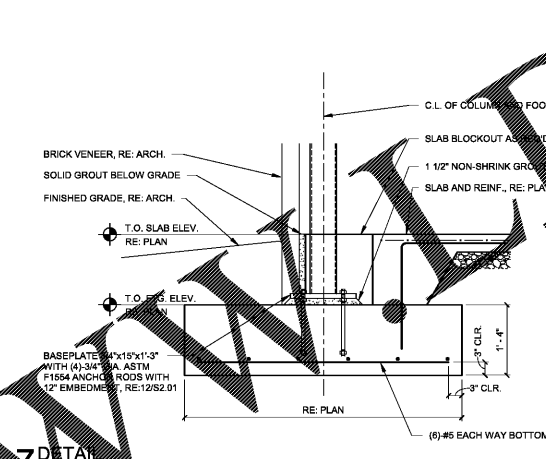
10 DETAIL
3/4" = 1'-0"



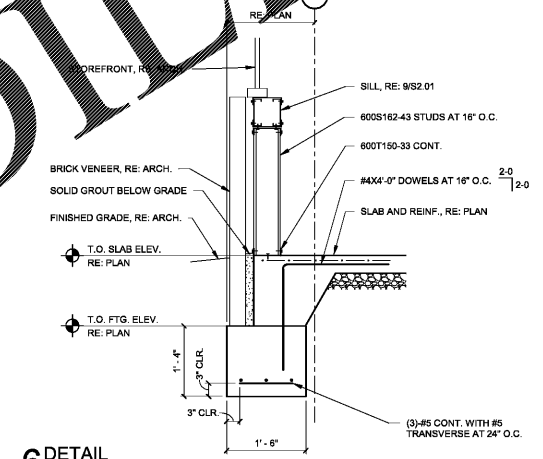
9 DETAIL
3/4" = 1'-0"



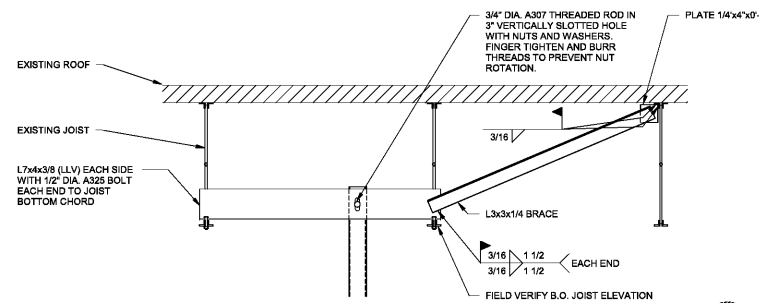
8 DETAIL
3/4" = 1'-0"



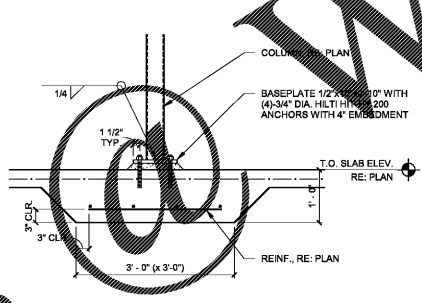
7 DETAIL
3/4" = 1'-0"



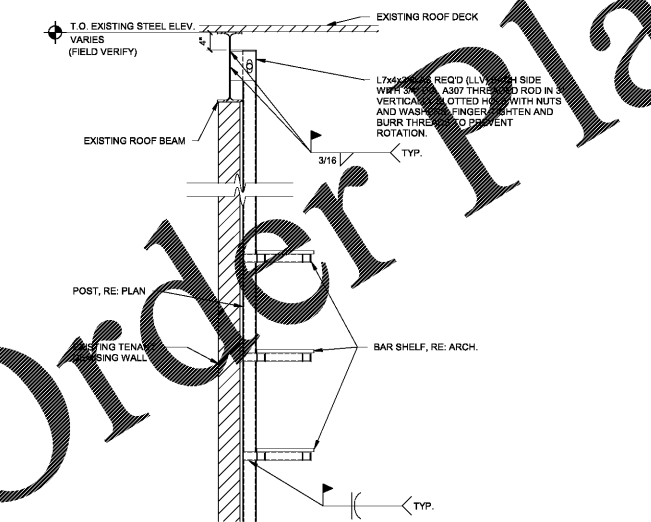
6 DETAIL
3/4" = 1'-0"



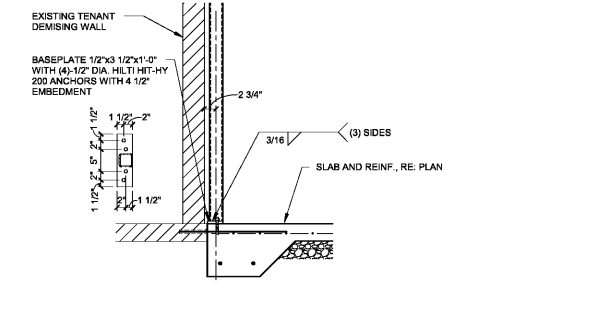
5 DETAIL
3/4" = 1'-0"



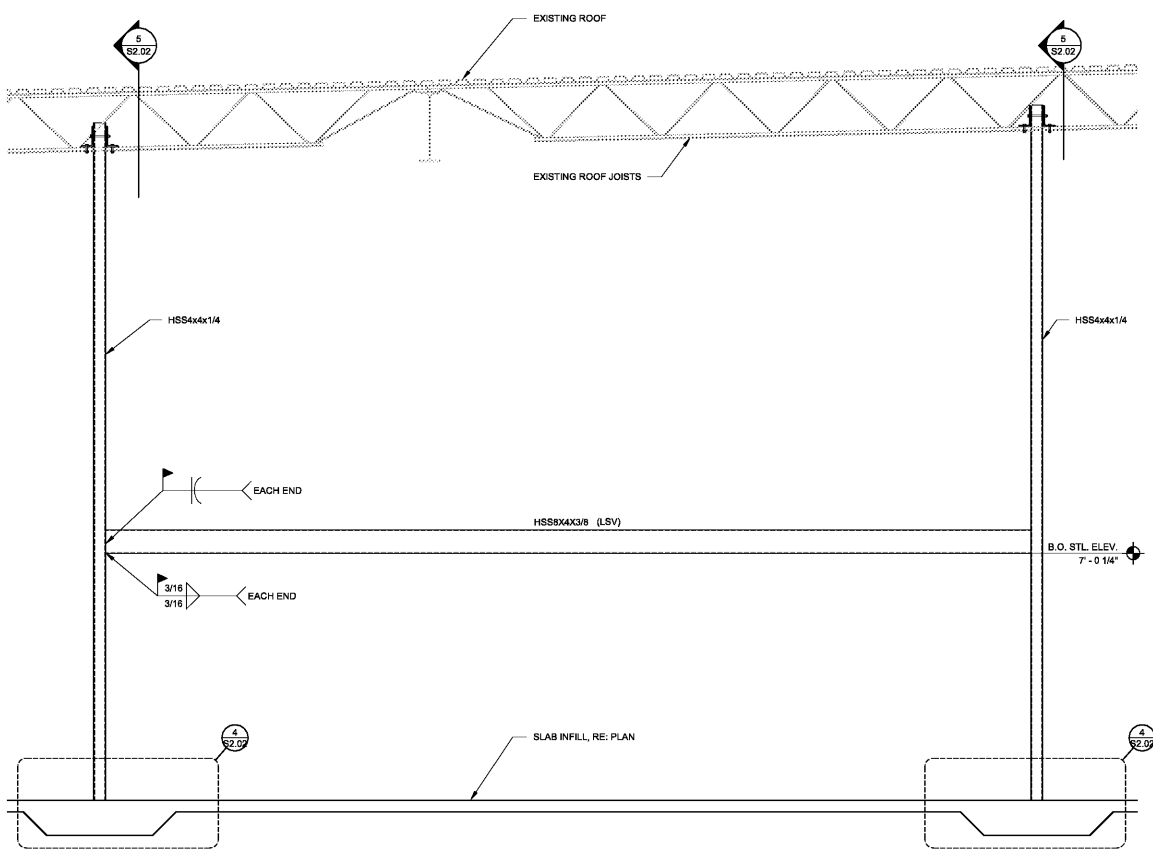
4 DETAIL
3/4" = 1'-0"



3 DETAIL
3/4" = 1'-0"



2 DETAIL
3/4" = 1'-0"



1 PASSTROUGH OPENING ELEVATION
1/2" = 1'-0"

Order Plans

Firebirds Wood
Fired Grill
Peachtree
Corners
5215 Town Center
Suite 300
Peachtree
GA 30028

FIREBIRDS
WOOD FIRED GRILL

starr
design

Starr Design, PLLC
1435 West Morehead St. Suite 240
Charlotte, NC 28208
V: 704.377.5200 F: 704.377.9201
www.starrdesign.com

wallace
Wallace Engineering
Structural Consultants, Inc.
2102 East Matthews Road
Suite 100
Charlotte, NC 28217
W.E.1711542

CONSTRUCTION
DOCUMENTS
05/10/2018

No.	Description	Date

GEORGIA REGISTERED PROFESSIONAL ENGINEER
No. PE037883
SAMUEL ROY
2018.05.09 11:31:38 0507

DETAILS
S2.02