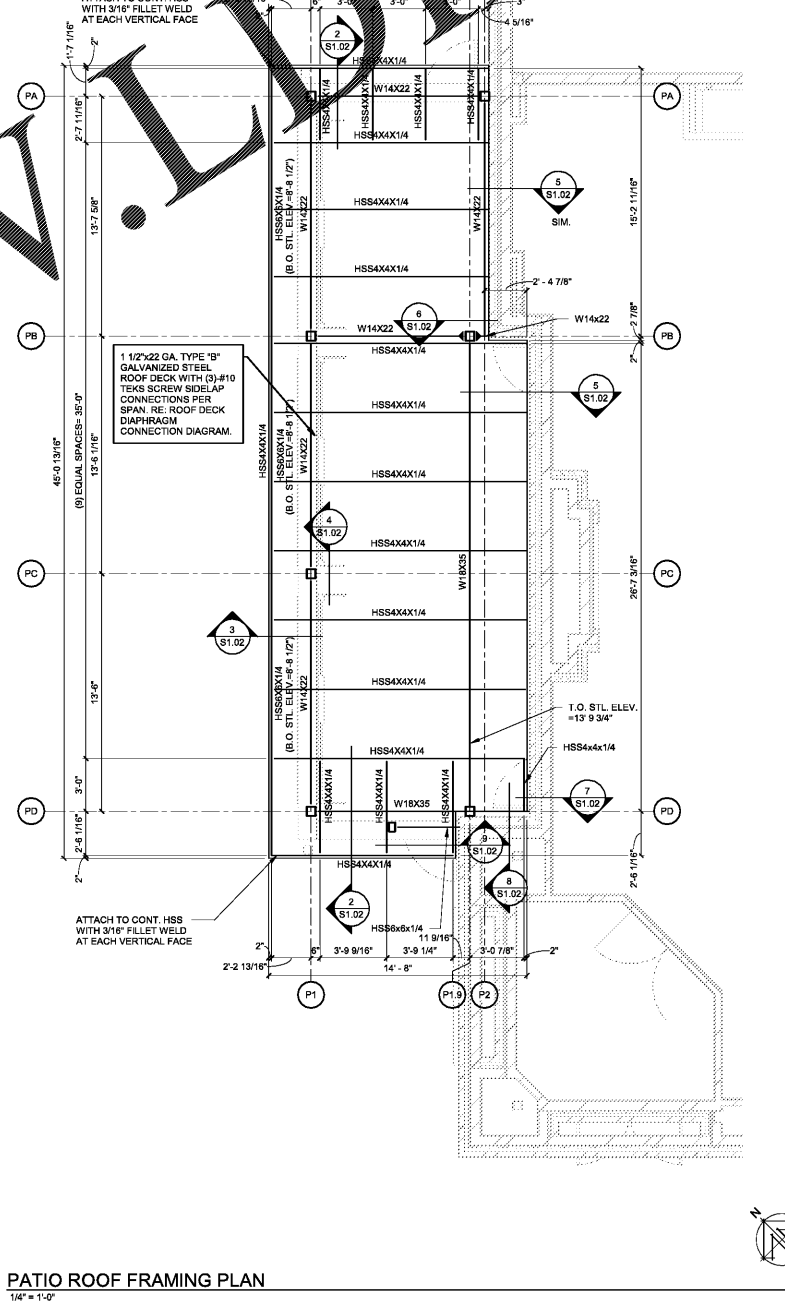
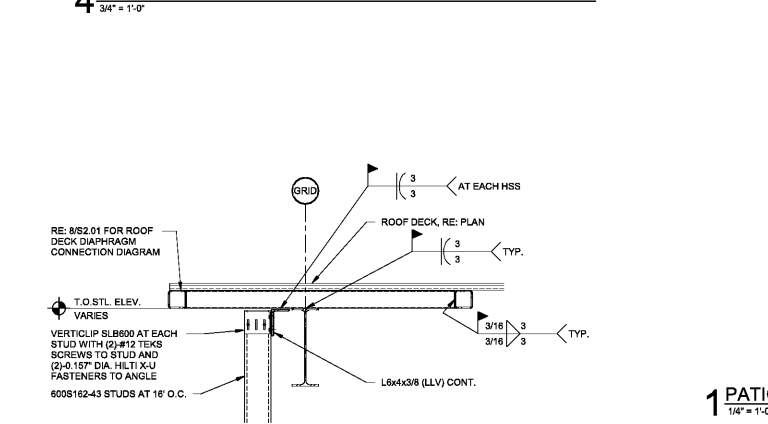
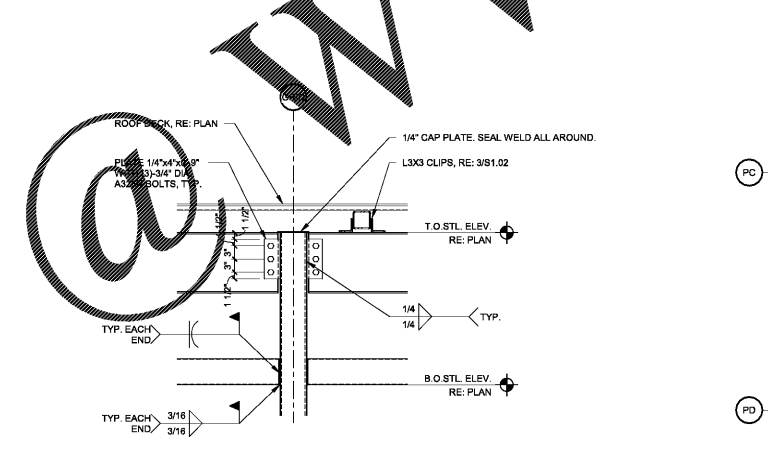
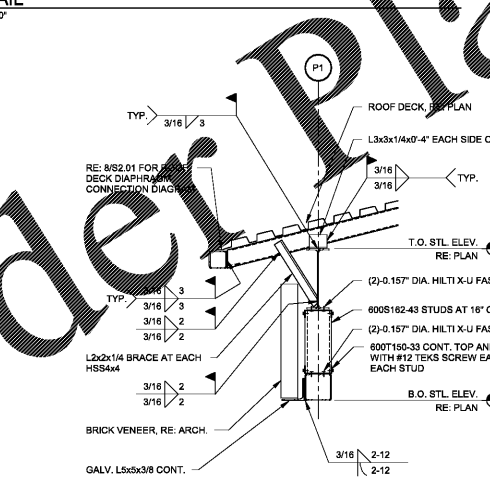
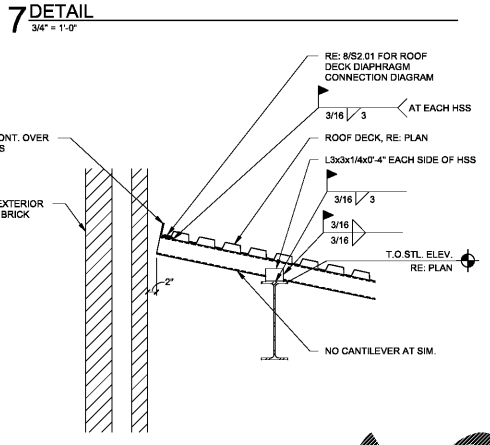
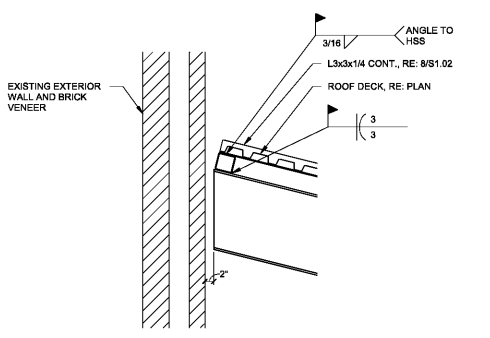
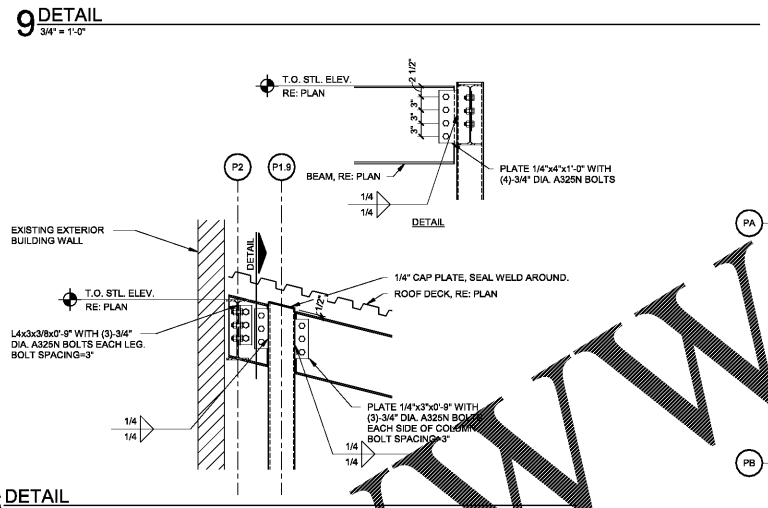
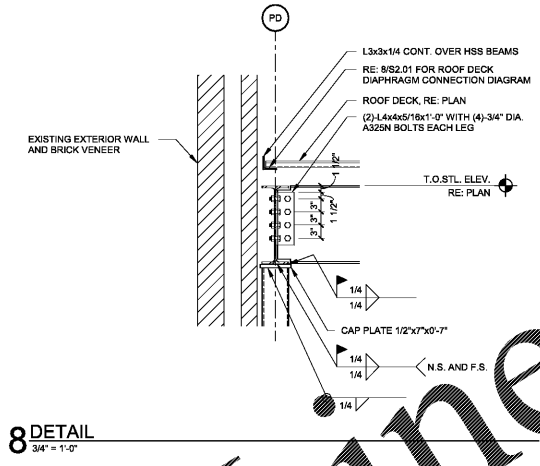
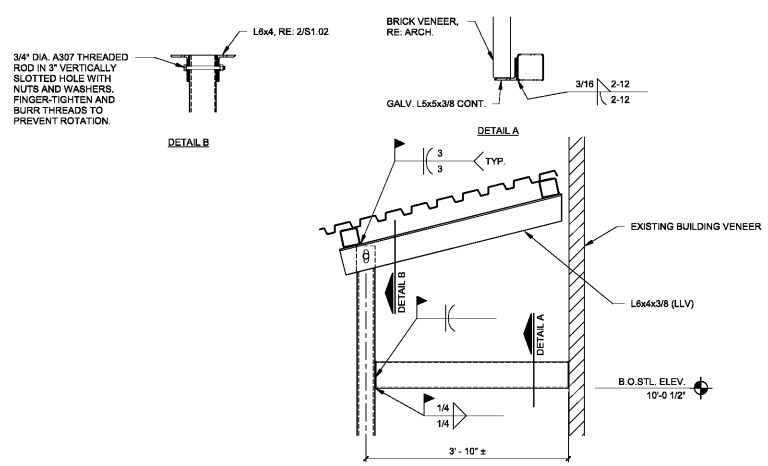


No.	Description	Date

GEORGIA REGISTERED PROFESSIONAL ENGINEER
No. P6007893
STAMUEL HEATH RAY
2018.05.09 11:29:56-0500



Order Plans

WWW.DLINE.COM