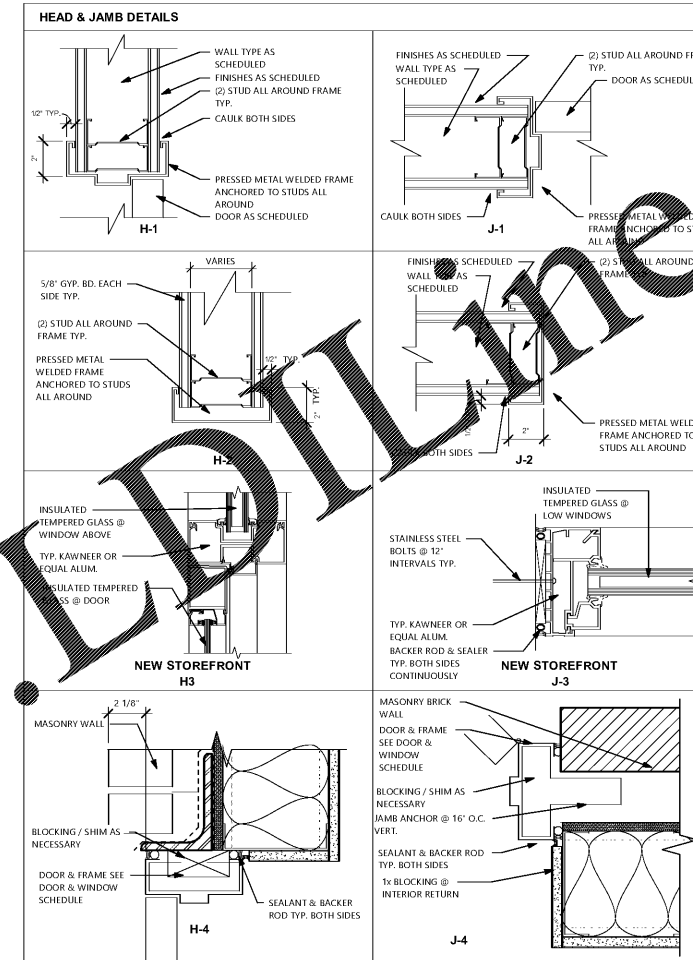


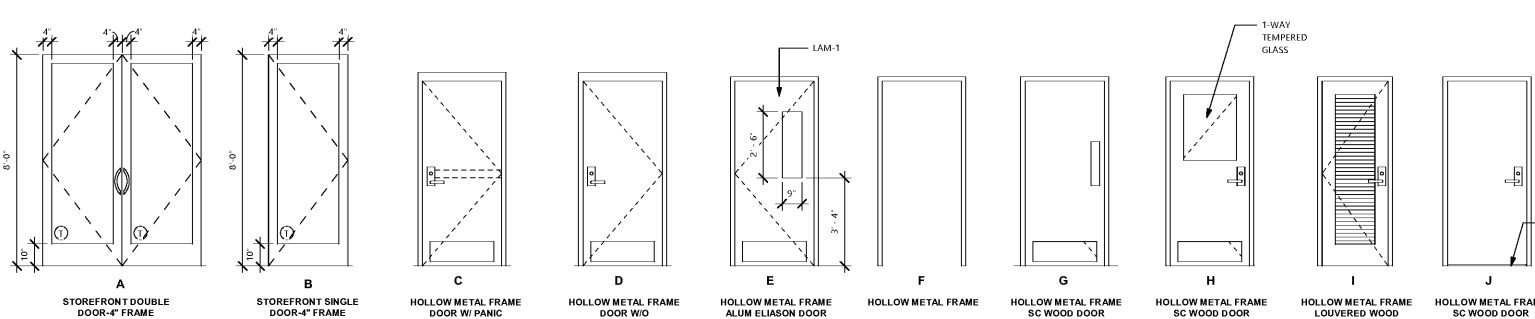
HARDWARE SETS	HWS - 1	HWS - 2	HWS - 3	HWS - 4	HWS - 5	HWS - 6	HWS - 7	HWS - 8	HWS - 9	HWS - 10
<b>PAIR EXTERIOR ENTRY STOREFRONT DOORS</b>	MEDIUM STYLE DOORS W/10" BOTTOM RAIL AND 4" WIDE INTERMEDIATE RAILS FINISH COLOR TO BE DARK BRONZE  (2) PIVOT SET TOP & BOTTOM (2) INTERMEDIATE PIVOT (2) PULLS (4) PUSH PLATES  (1) SET WEATHERSTRIPPING (2) CONCEALED CLOSERS (2) STOPS (1) THRESHOLD (4) KICK PLATES  (2) PANIC DEVICES	MEDIUM STYLE DOORS W/10" BOTTOM RAIL AND 4" WIDE INTERMEDIATE RAILS FINISH COLOR TO BE DARK BRONZE  (2) PIVOT SET TOP & BOTTOM (2) INTERMEDIATE PIVOT (2) PULLS (4) PUSH PLATES  (1) SET WEATHERSTRIPPING (2) CONCEALED CLOSERS (2) STOPS (1) THRESHOLD (4) KICK PLATES  (2) PANIC DEVICES	PAIR INTERIOR ENTRY STOREFRONT DOORS MEDIUM STYLE DOORS W/10" BOTTOM RAIL AND 4" WIDE INTERMEDIATE RAILS FINISH COLOR TO BE DARK BRONZE  (2) PIVOT SET TOP & BOTTOM (2) INTERMEDIATE PIVOT (2) PULLS (4) PUSH PLATES  (2) CONCEALED CLOSERS (2) STOPS (1) THRESHOLD (4) KICK PLATES	EXTERIOR SPRINKLER ROOM DOOR  (3) HINGES SPRING STOP (1) CLOSER (1) DOOR BOTTOMS (1) KICK PLATE  (1) RAIN GUARD (1-SET) WEATHERSTRIPPING (1) THRESHOLD	REAR SERVICE DOOR  (1) CONTINUOUS HINGE (1) EXIT DEVICE  (1) CLOSER (1) KICK PLATE (1) RAIN GUARD (1) GASKETING (1-SET) WEATHER STRIPPING (1) THRESHOLD (1) FLOOR STOP (2) DOOR VIEWERS  (1) CLOSER (1) KICK PLATE PROVIDE BLUZZER AT DOOR	RESTROOM DOORS PUSH PULL  CLOSER WITH STOP FUNCTION HINGES KICK PLATES SILENCERS WALL STOP	OFFICE STOREROOM LOCKSET HINGES KICK PLATES  CLOSER SILENCERS WALL STOP	RESTROOM STALL DOORS HINGES SILENCERS WALL STOP	MECHANICAL ROOM/ CLOSET CLOSER STOREROOM LOCKSET HINGES SILENCERS	SERVICE YARD MAN DOOR (1) DOOR VIEWER (1) CONTINUOUS HINGE (1) EXIT DEVICE  (1) CLOSER (1) KICK PLATE PROVIDE BLUZZER AT DOOR



**DOOR, WINDOW, AND HARDWARE GENERAL NOTES**

- ALL DOOR HANDLES TO MEET ANSI REQUIREMENTS PER STATE AND LOCAL ACCESSIBILITY CODES. EXIT DOORS SHALL BE OPERABLE FROM THE INSIDE WITHOUT THE USE OF A KEY OR ANY SPECIAL KNOWLEDGE OR ASSISTANCE IN COMPLIANCE WITH CBC 2011, SECTION 1008.1.6.5.
- TEMPERED GLASS TO BE 1/4" CLEAR AT INTERIOR DOORS AND WINDOWS UNLESS NOTED OTHERWISE. SEE STOREFRONT ELEVATIONS FOR INFORMATION AT EXTERIOR LOCATIONS.
- DOOR CLOSERS SHALL BE ADJUSTED SO THAT FROM AN OPEN POSITION OF 90 DEGREES, THE TIME REQUIRED TO MOVE THE DOOR TO AN OPEN POSITION OF 12 DEGREES WILL BE 5 SECONDS MINIMUM.
- THE REQUIRED FORCE FOR PUSHING OPEN OR PULLING OPEN DOORS SHALL BE AS FOLLOWS:  
- INTERIOR HINGED DOOR: 5.0 LB MAXIMUM  
- EXTERIOR HINGED DOOR: 7.5 LB MAXIMUM
- THE BOTTOM 10 INCHES OF ALL DOORS SHALL HAVE A SMOOTH, UNINTERRUPTED SURFACE TO ALLOW DOOR TO BE OPENED BY A WHEELCHAIR FOOTREST WITHOUT CREATING A TRAP OR HAZARDOUS CONDITION.
- PANIC HARDWARE ON EXIT DOORS SHALL BE PROVIDED AS SCHEDULED.
- LATCHING AND LOCKING DOORS THAT ARE HAND ACTIVATED AND WHICH ARE IN PASSAGE POSITION SHALL OPERATE WITH A SINGLE EFFORT BY LEVER TYPE HANDLE. PANIC BAR PUSH-PULL ACTUATING TYPE DOORS OR HARDWARE DESIGNED TO PROVIDE PASSAGE THROUGH LOCKING DOORS SHALL BE PROVIDED WITH PANIC HARDWARE. LOCKED EXIT DOORS SHALL OPERATE AS SCHEDULED IN EGRESS POSITION.
- HAND-ACTIVATED DOOR OPENING HARDWARE SHALL BE 39" ABOVE THE FLOOR TO THE CENTERLINE.
- ACCESSIBLE PATH OF TRAVEL SHALL BE ON A LEVEL SURFACE PERMITS THE INSTALLATION OF DOOR NOT LESS THAN 3'-0" IN WIDTH AND NOT LESS THAN 6'-8" IN HEIGHT. WHEN INSTALLED, EXIT DOORS SHALL BE CAPABLE OF OPENING SO THAT THE CLEAR WIDTH OF THE EXIT IS NOT LESS THAN 3'-0".
- MINIMUM MANEUVERING CLEARANCES AT DOORS SHALL BE PER LOCAL AND STATE ACCESSIBILITY REQUIREMENTS. THE FLOOR OR GROUND SURFACE WITHIN THE REQUIRED CLEARANCE SHALL BE LEVEL AND CLEAR.
- THE FLOOR OR GROUND SHALL BE FLUSH ON EACH SIDE OF THE DOOR WITH MAXIMUM 1/2" HIGH THRESHOLD.
- DOORS SHALL NOT PROJECT MORE THAN 7" INTO THE REQUIRED EXIT WIDTH WHEN FULLY OPENED OR MORE THAN 3/4" INTO THE REQUIRED EXIT WIDTH WHEN IN ANY POSITION.
- FINISH ON ALL INTERIOR DOOR HARDWARE TO BE US108 (OIL RUBBED BRONZE) UNLESS NOTED OTHERWISE. FINISH ON STOREFRONT MATERIAL MUST MATCH EXISTING FINISH PROVIDED BY LANDLORD IN SHELL BUILDING (DARK BRONZE) UNLESS NOTED OTHERWISE.
- DOOR SCHEDULE IS RESPONSIBLE FOR HANDLING OF ALL DOORS.
- REFERENCE SPECIFICATION FOR WOOD DOOR FINISH AND SPECIES.
- GENERAL CONTRACTOR SHALL DIRECTLY EMPLOY FIREBIRDS-PREFERRED HARDWARE CONSULTANT (LOCKNET) FOR THE PRODUCTION OF THE DOOR HARDWARE SUBMITTAL AND HARDWARE INSTALLATION FOR TENANT-FURNISHED HARDWARE. IT IS THE RESPONSIBILITY OF THE CONTRACTOR TO PROVIDE ALL DOOR HARDWARE DEVICES AND ACCESSORIES AS MAY BE REQUIRED TO PROVIDE A COMPLETE AND FUNCTIONAL ASSEMBLY.

NO.	DESCRIPTION	SIZE	HEIGHT	WIDTH	THICK	TYPE	DOOR		FRAME		HARDWARE SET	REMARKS	
							MATERIAL	FINISH	MATERIAL	FINISH			
1	YES	8'-0"	6'-0"	0'-1 3/4"	A	EXISTING	DARK BRONZE	ALUM	DARK BRONZE	HWS-1	EXISTING - BY LANDLORD		
2	DINING	8'-0"	6'-0"	0'-1 3/4"	A	ALUM	DARK BRONZE	H-3	J-3	ALUM	DARK BRONZE	HWS-3	
3	ENCLOSED PATIO	8'-0"	3'-0"	0'-1 3/4"	B	ALUM	DARK BRONZE	H-3	J-3	ALUM	DARK BRONZE	HWS-2	MATCH DOOR TO EXISTING. TENANT UPFIT SCOPE TO INCLUDE ALL REQ. DOOR HARDWARE
4	ENCLOSED PATIO	8'-0"	3'-0"	0'-1 3/4"	B	EXISTING	DARK BRONZE	EXISTING	DARK BRONZE	HWS-2	EXISTING - BY LANDLORD		
5	DINING	8'-0"	3'-0"	0'-1 3/4"	B	EXISTING	DARK BRONZE	EXISTING	DARK BRONZE	HWS-2	EXISTING - BY LANDLORD		
6	OFFICE	7'-0"	3'-0"	0'-1 3/4"	H	WD	WSTN-1	H-1	J-1	ALUM	PNT-2	HWS-7	
7	COOK LINE	7'-0"	3'-0"	0'-1"	E	ALUM	LAM-1	H-2	J-2	HM	PNT-2	N/A	CHEM-METAL - WEATHERED ALUMINUM
8	DISH	7'-0"	3'-0"	0'-1"	E	ALUM	LAM-1	H-2	J-2	HM	PNT-2	N/A	
9	GEN PURPOSE	7'-0"	4'-0"	0'-2"	C	EXISTING	---	---	---	---	---	HWS-5	EXISTING - BY LANDLORD
10	BEVERAGE	7'-0"	3'-0"	0'-1 3/4"	F	N/A	N/A	H-2	J-2	HM	PNT-2	N/A	
11	RESTROOM VESTIBULE	7'-0"	3'-0"	0'-1 3/4"	F	N/A	N/A	H-2	J-2	HM	PNT-2	N/A	
12	MECHANICAL	7'-0"	3'-0"	0'-1 3/4"	J	WD	WSTN-1	H-1	J-1	HM	PNT-2	HWS-9	
13	WOMEN'S	7'-0"	3'-0"	0'-1 3/4"	I	WD	WSTN-1	H-1	J-1	HM	PNT-2	HWS-8	
14	WOMEN'S	7'-0"	2'-6"	0'-1 3/4"	I	WD	WSTN-1	H-1	J-1	HM	PNT-2	HWS-8	
15	WOMEN'S	7'-0"	3'-0"	0'-1 3/4"	G	WD	WSTN-1	H-1	J-1	HM	PNT-2	HWS-6	
16	MEN'S	7'-0"	3'-0"	0'-1 3/4"	G	WD	WSTN-1	H-1	J-1	HM	PNT-2	HWS-6	
17	MEN'S	7'-0"	3'-0"	0'-1 3/4"	I	WD	WSTN-1	H-1	J-1	HM	PNT-2	HWS-8	
18	SERVICE YARD	7'-0"	4'-0"	0'-2"	D	EXISTING	---	---	---	---	---	HWS-5	EXISTING - BY LANDLORD
19	ENCLOSED PATIO	7'-11"	3'-0"	0'-1 3/4"	B	ALUM	DARK BRONZE	H-4	J-4	ALUM	DARK BRONZE	HWS-2	
20	ENCLOSED PATIO	7'-11"	3'-0"	0'-1 3/4"	B	ALUM	DARK BRONZE	H-4	J-4	ALUM	DARK BRONZE	HWS-2	



Order Plans @ WWW.LANDLORD.COM