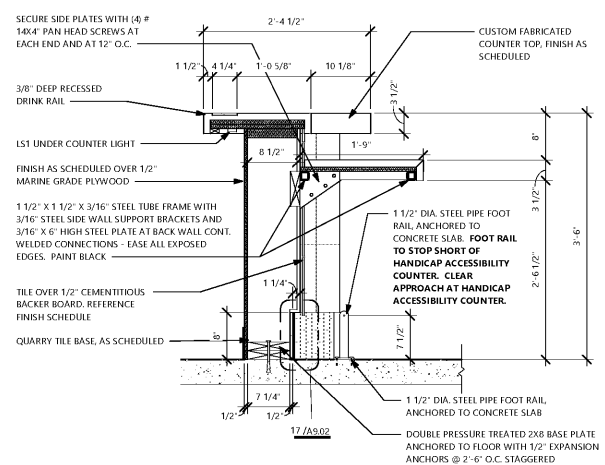
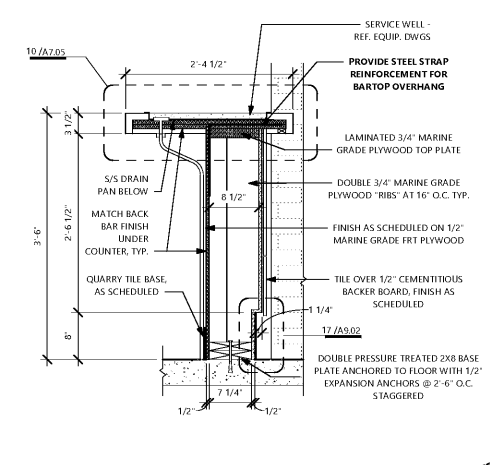


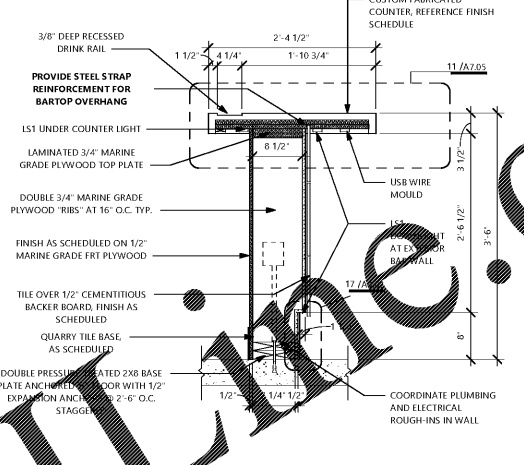
13 BAR SECTION - TYP. DETAIL AT DRINK RAIL



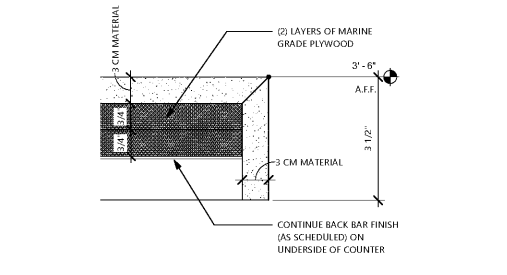
9 HANDICAP ACCESSIBLE BAR SEATING



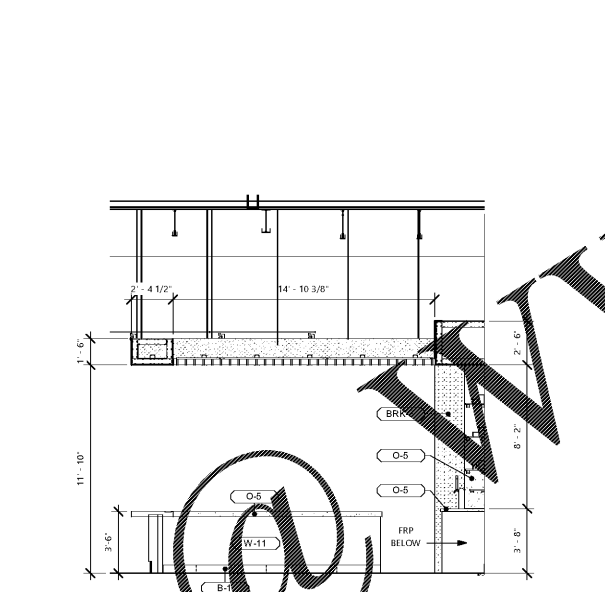
8 BAR SECTION - DRAIN BOARD



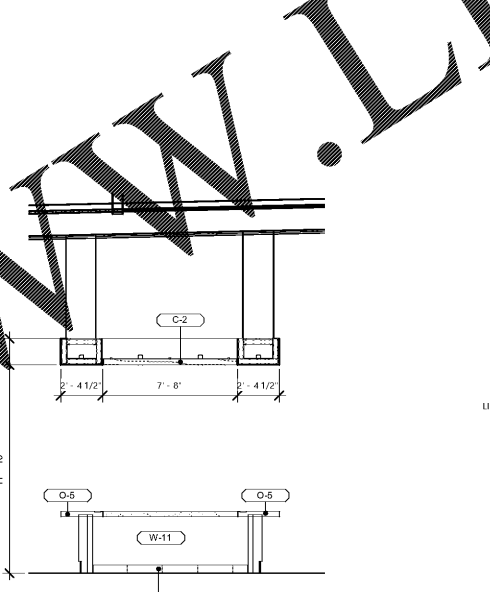
TYP. BAR SECTION



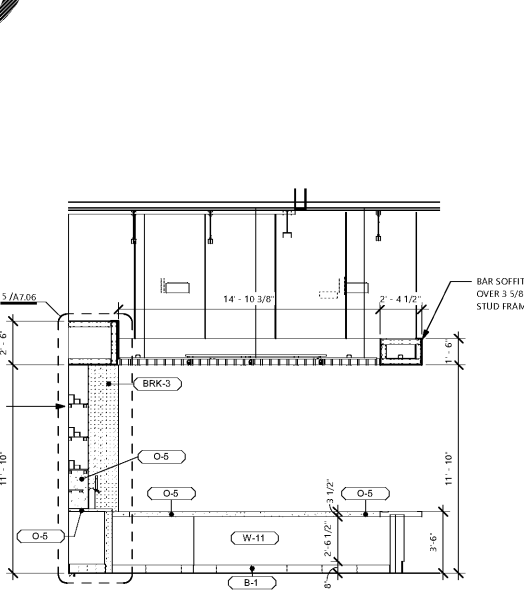
12 TYP. BAR EDGE DETAIL



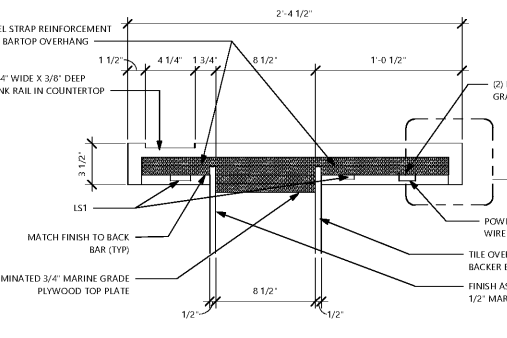
6 BAR INTERIOR - WEST SIDE



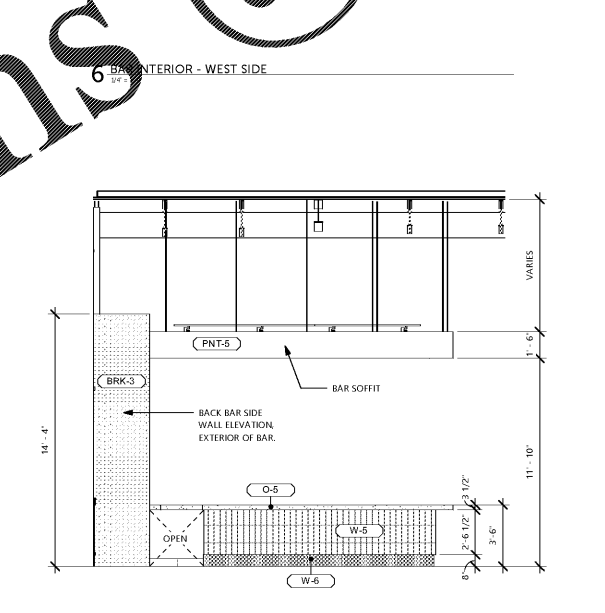
5 BAR INTERIOR - SOUTH ELEVATION



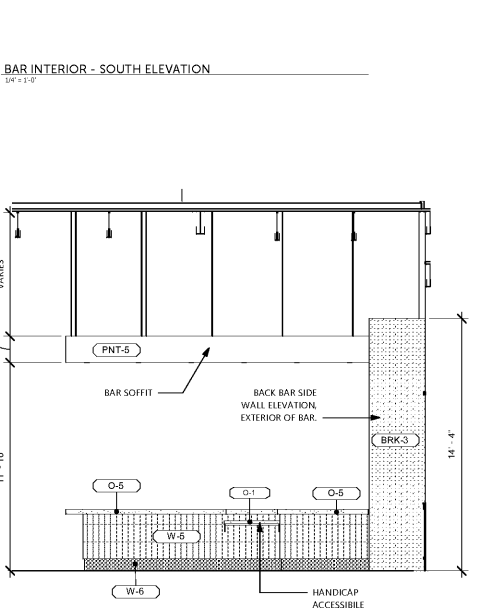
4 BAR INTERIOR - EAST ELEVATION



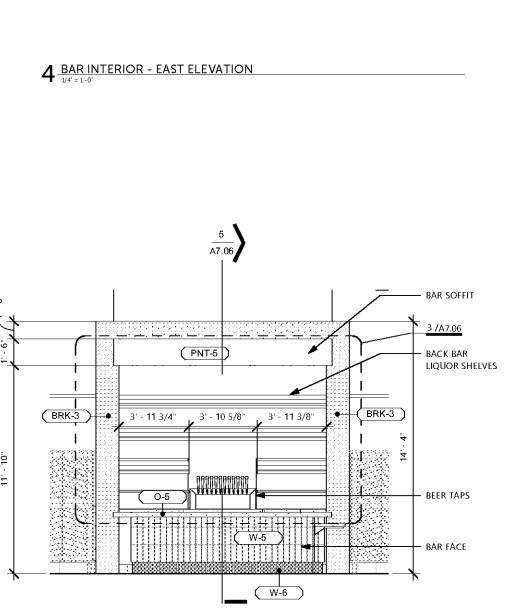
11 BAR SECTION - TYP. DETAIL



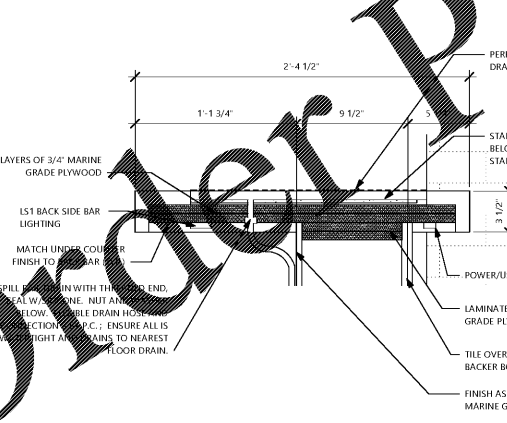
3 BAR - PLAN WEST ELEVATION



2 BAR - PLAN EAST ELEVATION



1 BAR - PLAN SOUTH SIDE



10 BAR SECTION - DRAIN BOARD DETAIL

CONSTRUCTION DOCUMENTS
05/10/2018

No.	Description	Date

Steven A. Starr, AIA
Lic. # RA013717
Signature Date: 05/10/2018
Date of expiration: 6/30/2019



INTERIOR COMPONENTS - BAR

A7.05