

**CONSTRUCTION DOCUMENTS**

05/10/2018

No. Description Date

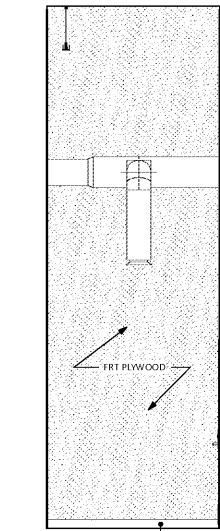
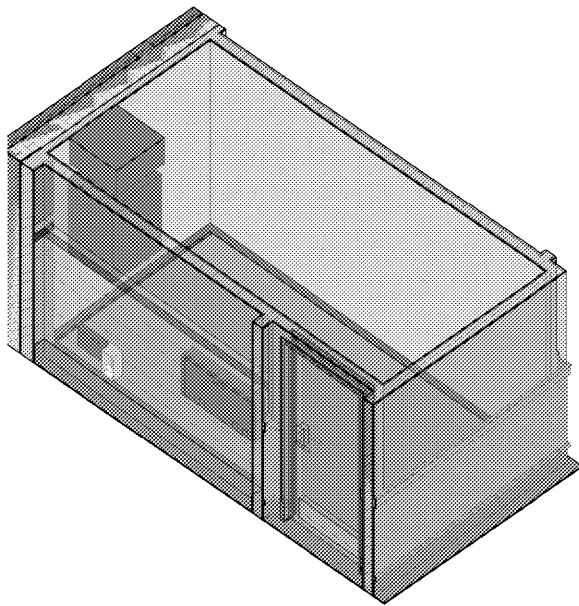
Steven A. Starr, AIA  
Lic. # RA013717  
Signature Date: 05/10/2018  
Date of expiration: 6/30/2019



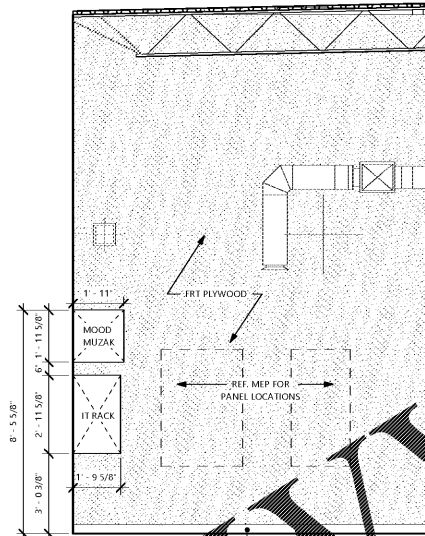
**INTERIOR COMPONENTS - OFFICE & MECH. CLOSET**

**A7.03**

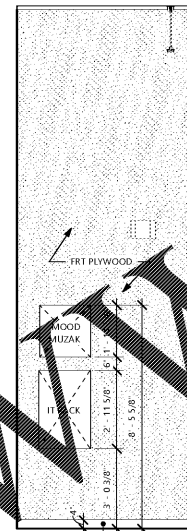
16FB008 | © Starr Design, PLLC



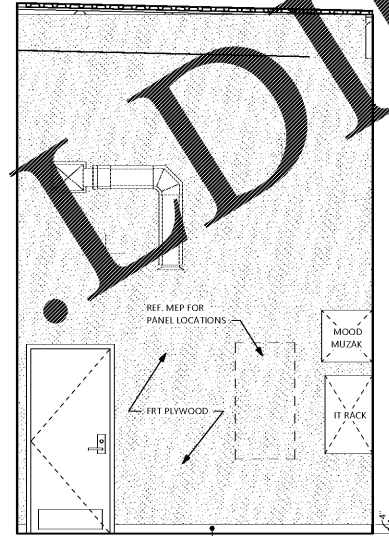
10 MECHANICAL CLOSET ELEVATION 4



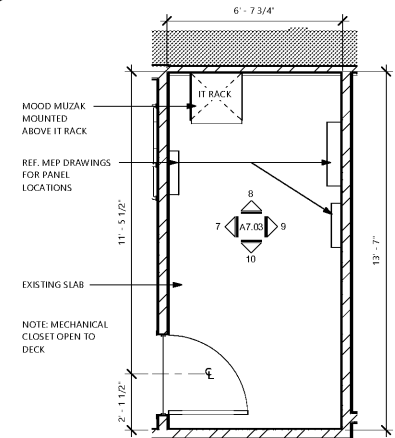
9 MECHANICAL CLOSET ELEVATION 9



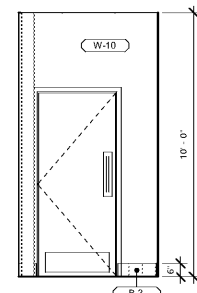
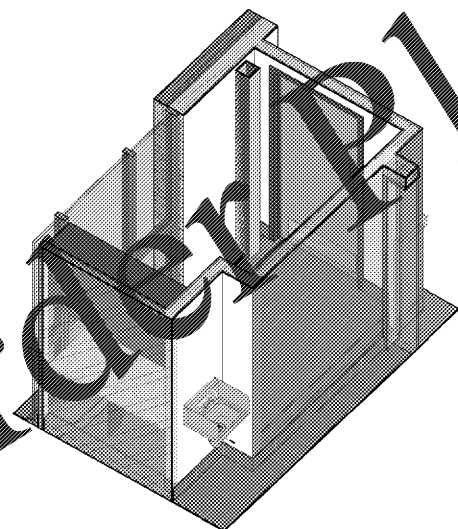
8 MECHANICAL CLOSET ELEVATION 2



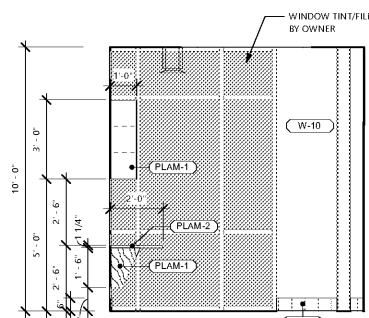
7 MECHANICAL CLOSET ELEVATION 1



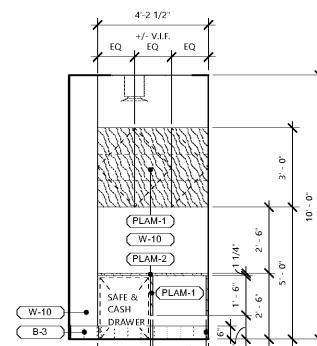
6 ENLARGED PLAN - MECHANICAL ROOM



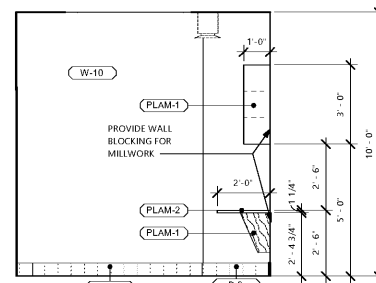
5 OFFICE ELEVATION 4



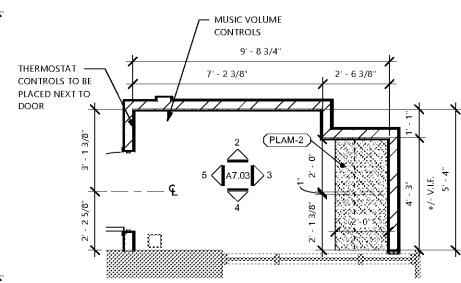
4 OFFICE ELEVATION 3



3 OFFICE ELEVATION 2



2 OFFICE ELEVATION 1



1 ENLARGED PLAN - OFFICE

Original Plans @

WWW.LDIDLine.com