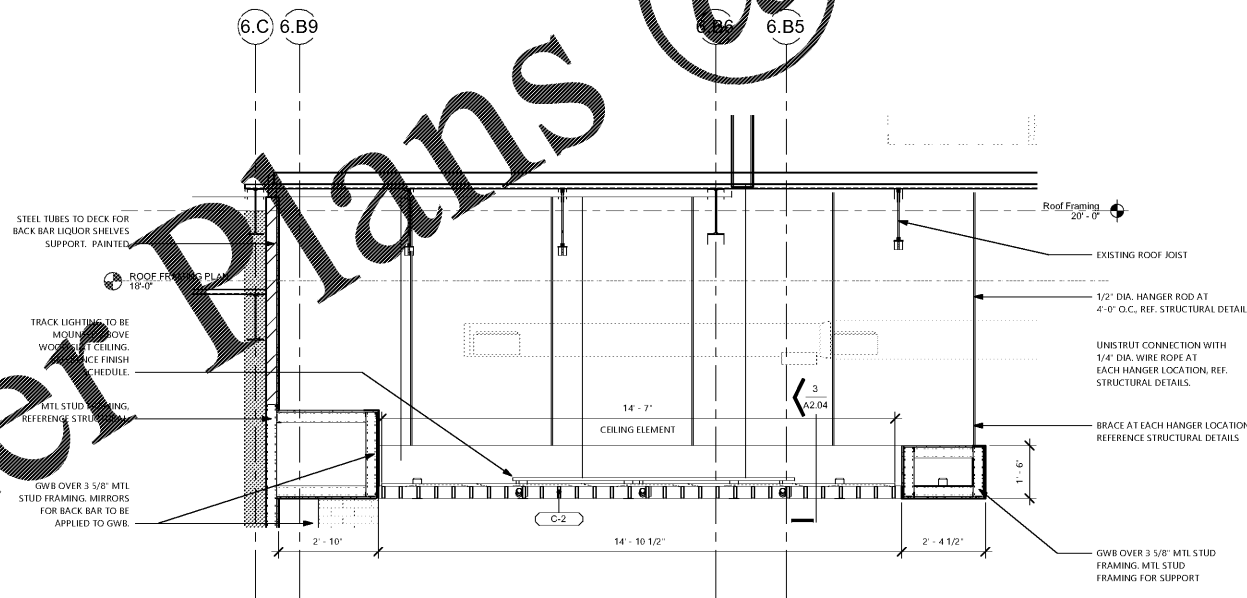
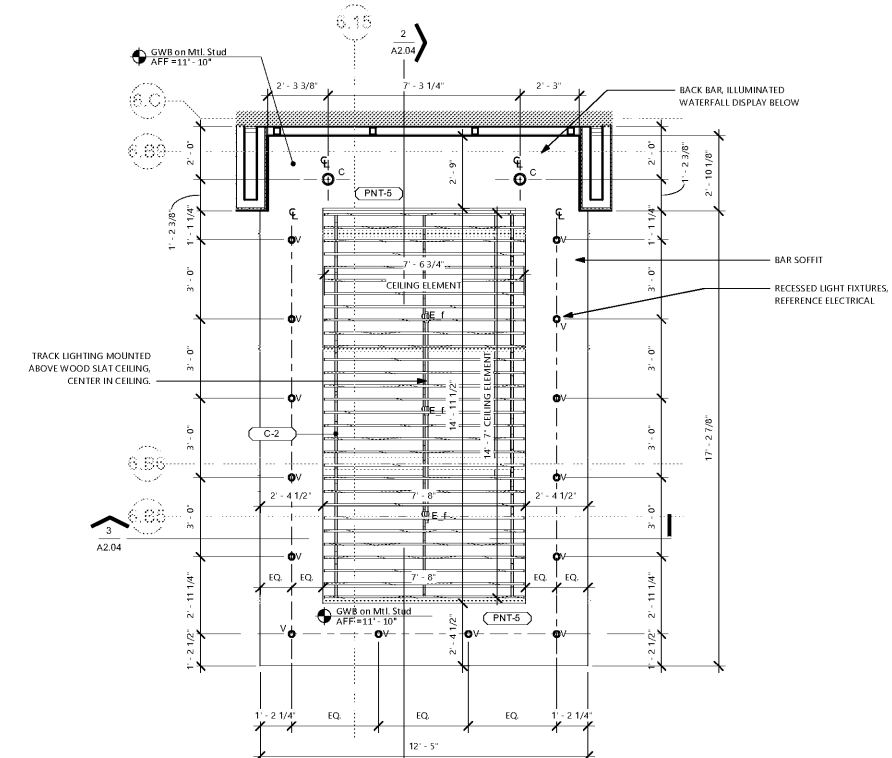


3 BAR SOFFIT - SHORT SECTION
1/2" = 1'-0"



2 BAR SOFFIT - LONG SECTION
1/2" = 1'-0"



1 ENLARGED BAR SOFFIT
3/8" = 1'-0"

CONSTRUCTION
DOCUMENTS
05/10/2018

No.	Description	Date

Steven A. Starr, AIA
Lic. # RA013717
Signature Date: 05/10/2018
Date of expiration: 6/30/2019



CEILING DETAILS
- BAR SOFFIT

A2.04