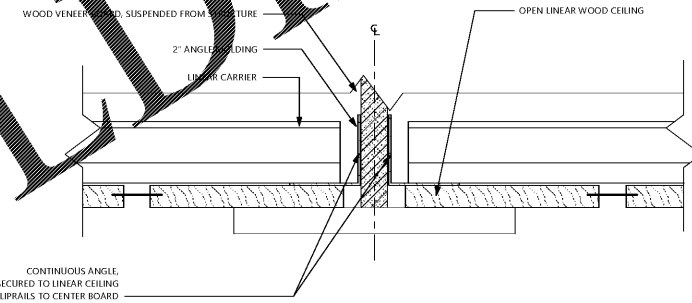
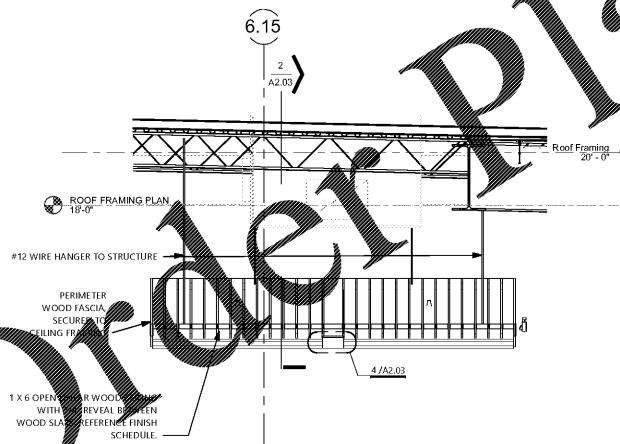


5 PERIMETER DETAIL AT LIGHT BEAM

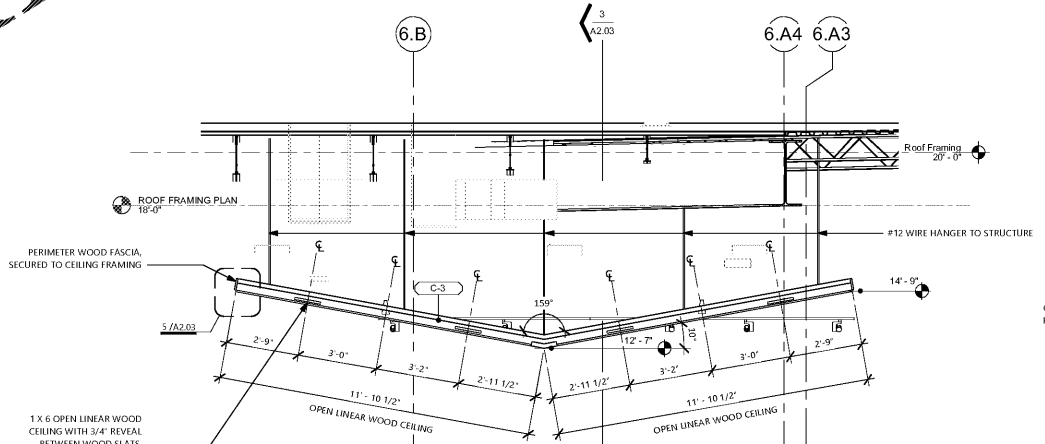


4 BUTTERFLY CEILING LIGHT BEAM - DETAIL

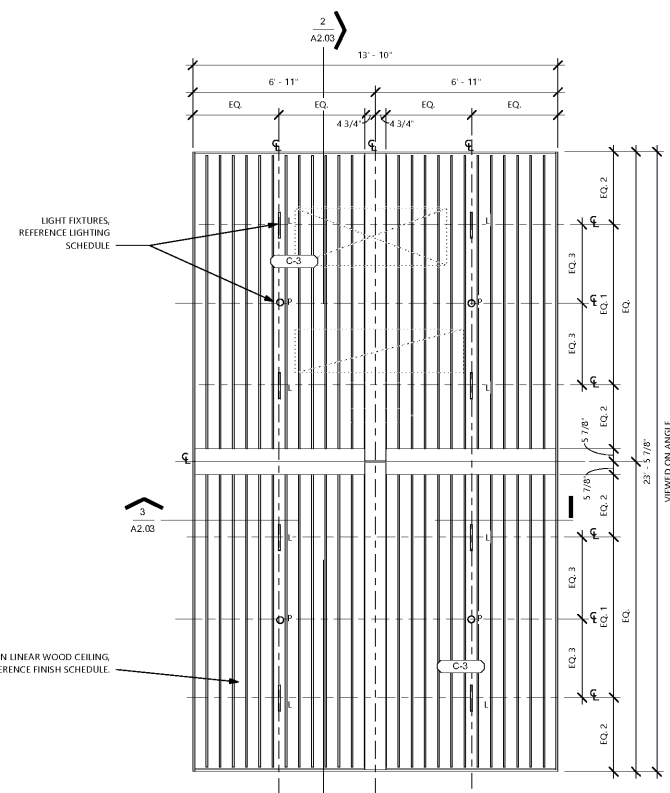
Order Plans @ WWW.LDILine.com



3 BUTTERFLY CEILING - SHORT SECTION



2 BUTTERFLY CEILING - LONG SECTION



1 REFLECTED CEILING PLAN - ENLARGED BUTTERFLY

CONSTRUCTION
DOCUMENTS
05/10/2018

No. Description Date

Steven A. Starr, AIA
Lic. # RA013717
Signature Date: 05/10/2018
Date of expiration: 6/30/2019



CEILING DETAILS
- BUTTERFLY

A2.03