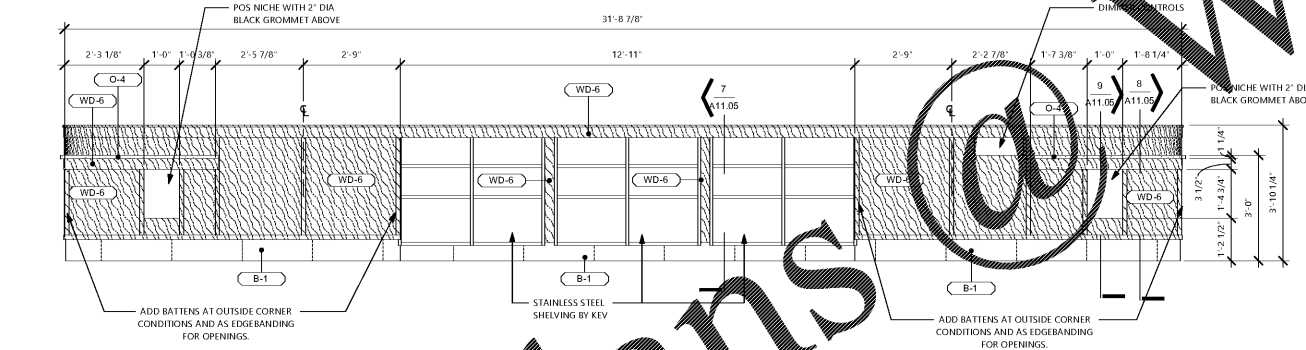


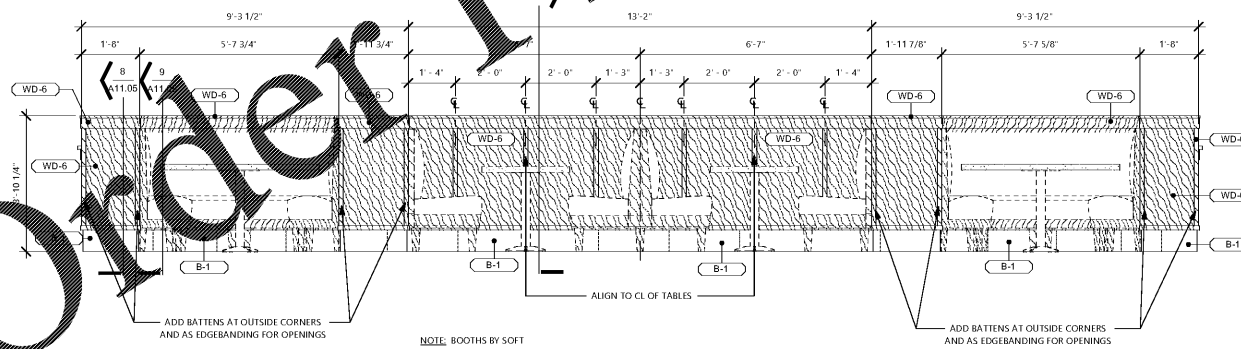
7 SECTION AT BOOTH
1/2" = 1'-0"

6 CIRCLE BOOTH FIXTURE SOUTH ELEVATION
1/2" = 1'-0"

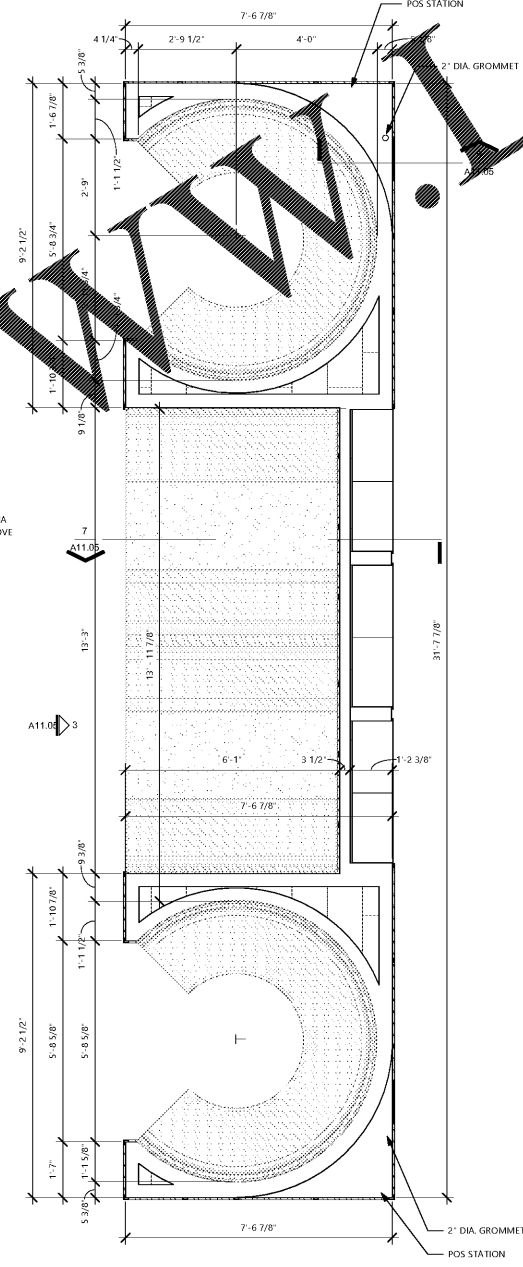
5 CIRCLE BOOTH FIXTURE NORTH ELEVATION
1/2" = 1'-0"



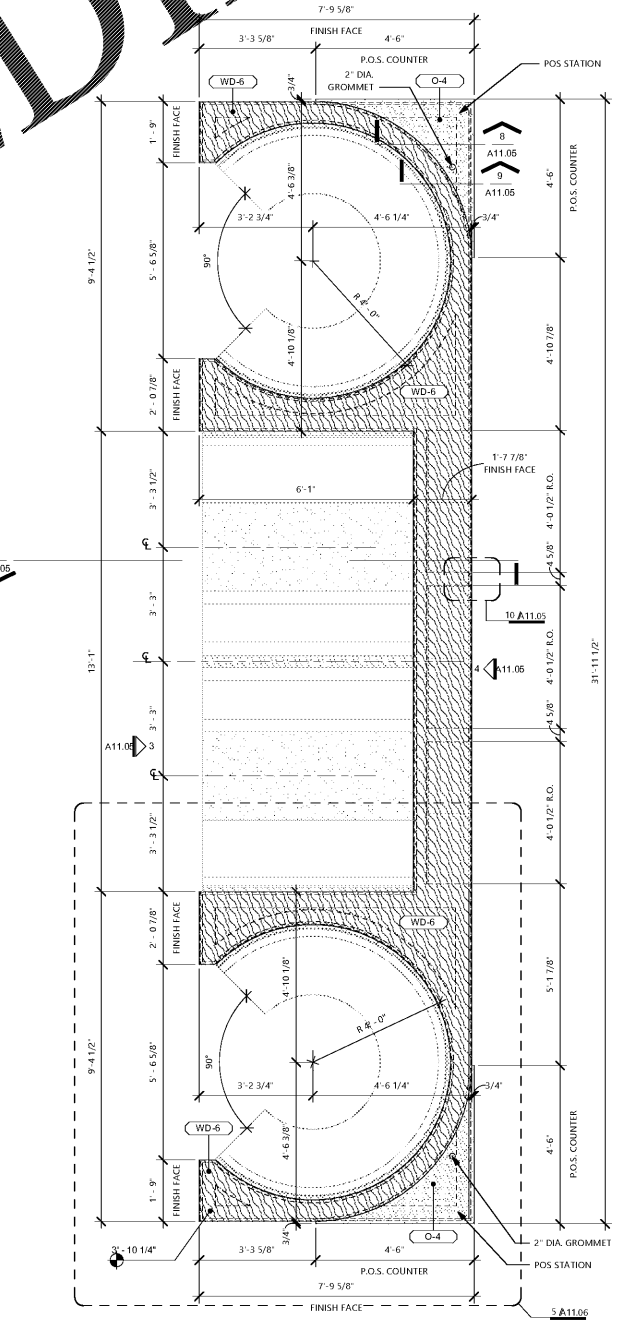
4 CIRCLE BOOTH FIXTURE REAR ELEVATION
1/2" = 1'-0"



3 CIRCLE BOOTH FIXTURE FRONT ELEVATION
1/2" = 1'-0"



2 CIRCLE BOOTH FIXTURE - FINISH FACE DIMENSIONED PLAN
1/2" = 1'-0"



1 CIRCLE BOOTH FIXTURE - TOP CAP DIMENSIONED PLAN
1/2" = 1'-0"

CONSTRUCTION
DOCUMENTS
05/10/2018

No.	Description	Date

Steven A. Starr, AIA
Lic. # RA013717
Signature Date: 05/10/2018
Date of expiration: 6/30/2019



FIXTURE DETAILS
A11.05