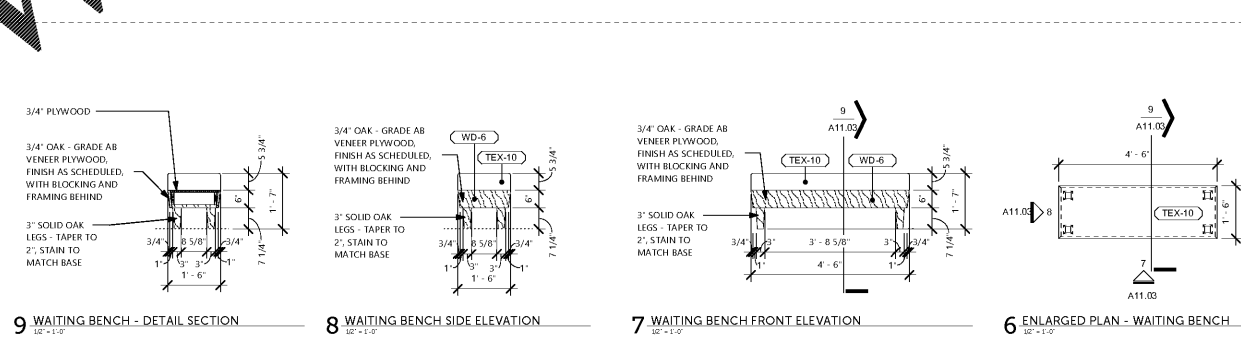
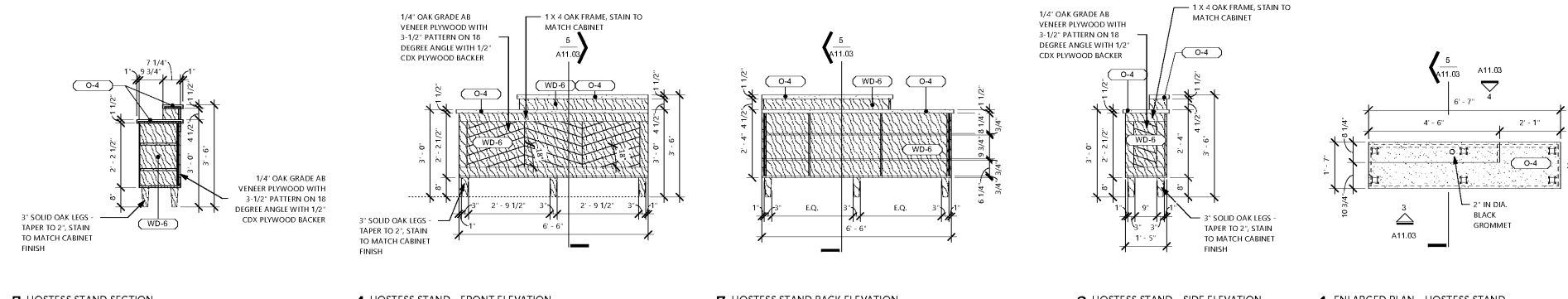


12 LIQUOR & LINEN STORAGE - DETAIL SECTION
11 WINE COOLERS & LINEN STORAGE - FRONT ELEVATION
10 ENLARGED PLAN - WINE COOLERS & LINEN STORAGE



9 WAITING BENCH - DETAIL SECTION
8 WAITING BENCH SIDE ELEVATION
7 WAITING BENCH FRONT ELEVATION
6 ENLARGED PLAN - WAITING BENCH



5 HOSTESS STAND SECTION
4 HOSTESS STAND - FRONT ELEVATION
3 HOSTESS STAND BACK ELEVATION
2 HOSTESS STAND - SIDE ELEVATION
1 ENLARGED PLAN - HOSTESS STAND

CONSTRUCTION
DOCUMENTS

05/10/2018

No.	Description	Date

Steven A. Starr, AIA
Lic. # RA013717
Signature Date: 05/10/2018
Date of expiration: 6/30/2019



FIXTURE DETAILS
A11.03

Order Plans @

WWW.DIline.com