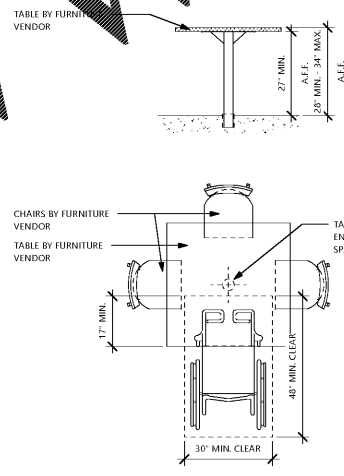
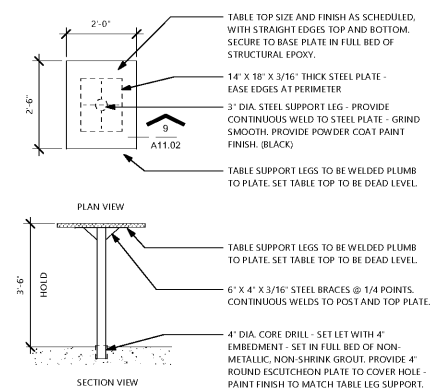


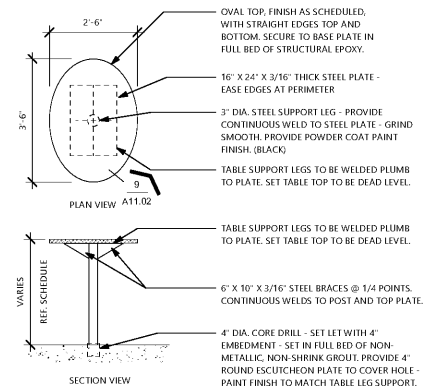
**8 MIN. CLEARANCES FOR SEATING AT TABLES**  
12'-11"0"



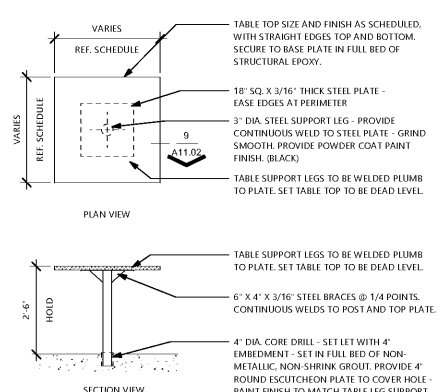
**7 MIN. CLEARANCES AT ACCESSIBLE TABLES**  
12'-11"0"



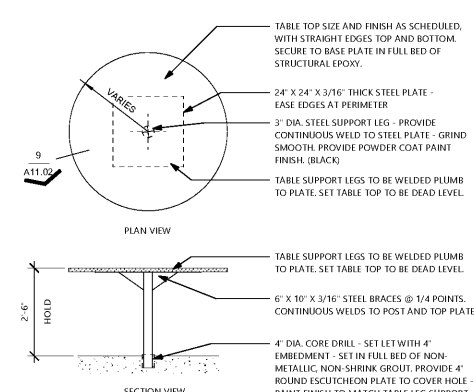
**6 BAR TABLE - POST MOUNT**  
12'-11"0"



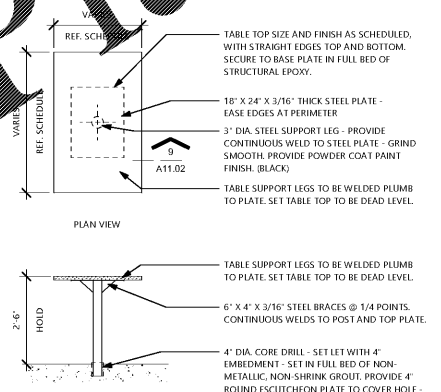
**1 OVAL TABLE - POST MOUNT**  
12'-11"0"



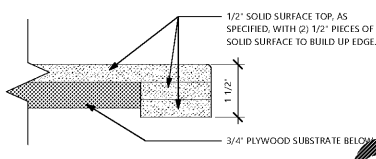
**2 SQUARE TABLE - POST MOUNT**  
12'-11"0"



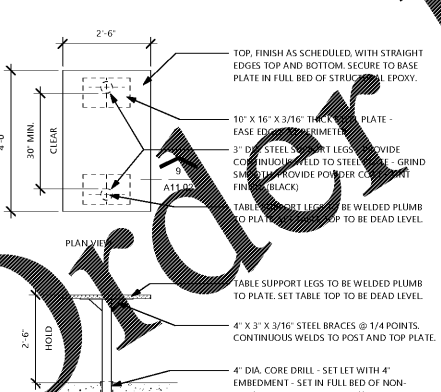
**3 CIRCLE TABLE - POST MOUNT**  
12'-11"0"



**4 RECTANGLE TABLE - POST MOUNT**  
12'-11"0"



**9 TABLE TOP SECTION DETAIL WITH SUBSTRATE**  
6'-11"0"



**5 RECTANGLE TABLE - POST MOUNT ADA**  
12'-11"0"

Order Plans

WWW.LDILine.com