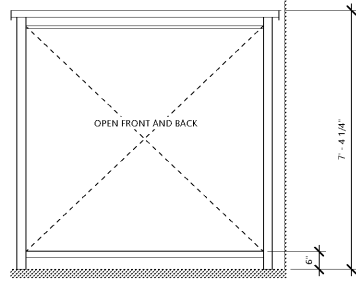
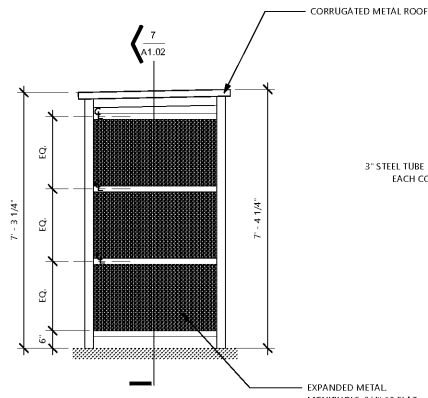


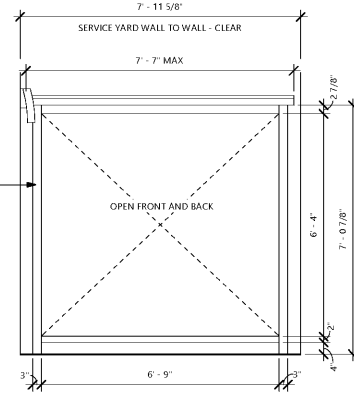
7 WOOD STORAGE BOX - SECTION  
32'-11\"/>



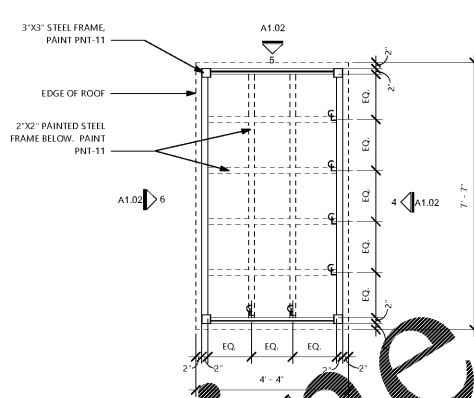
6 WOOD STORAGE BOX - BACK ELEVATION  
32'-11\"/>



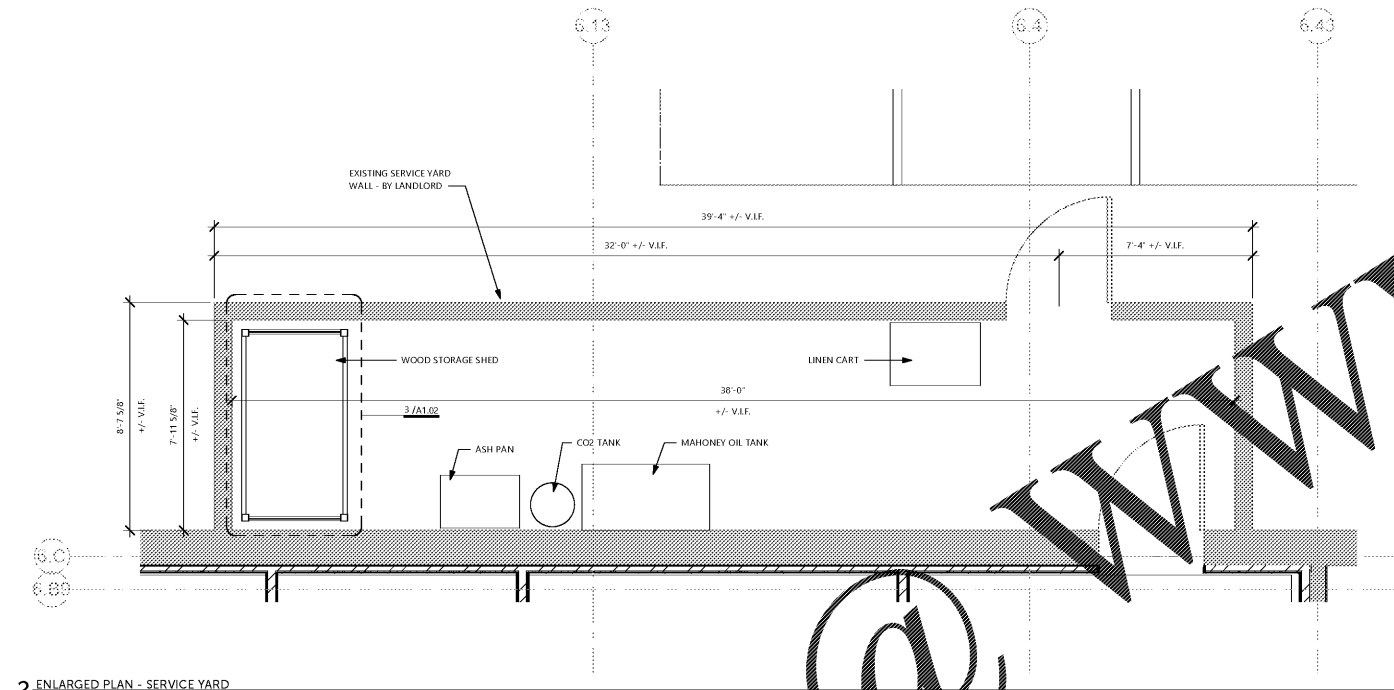
5 WOOD STORAGE BOX - SIDE ELEVATION  
32'-11\"/>



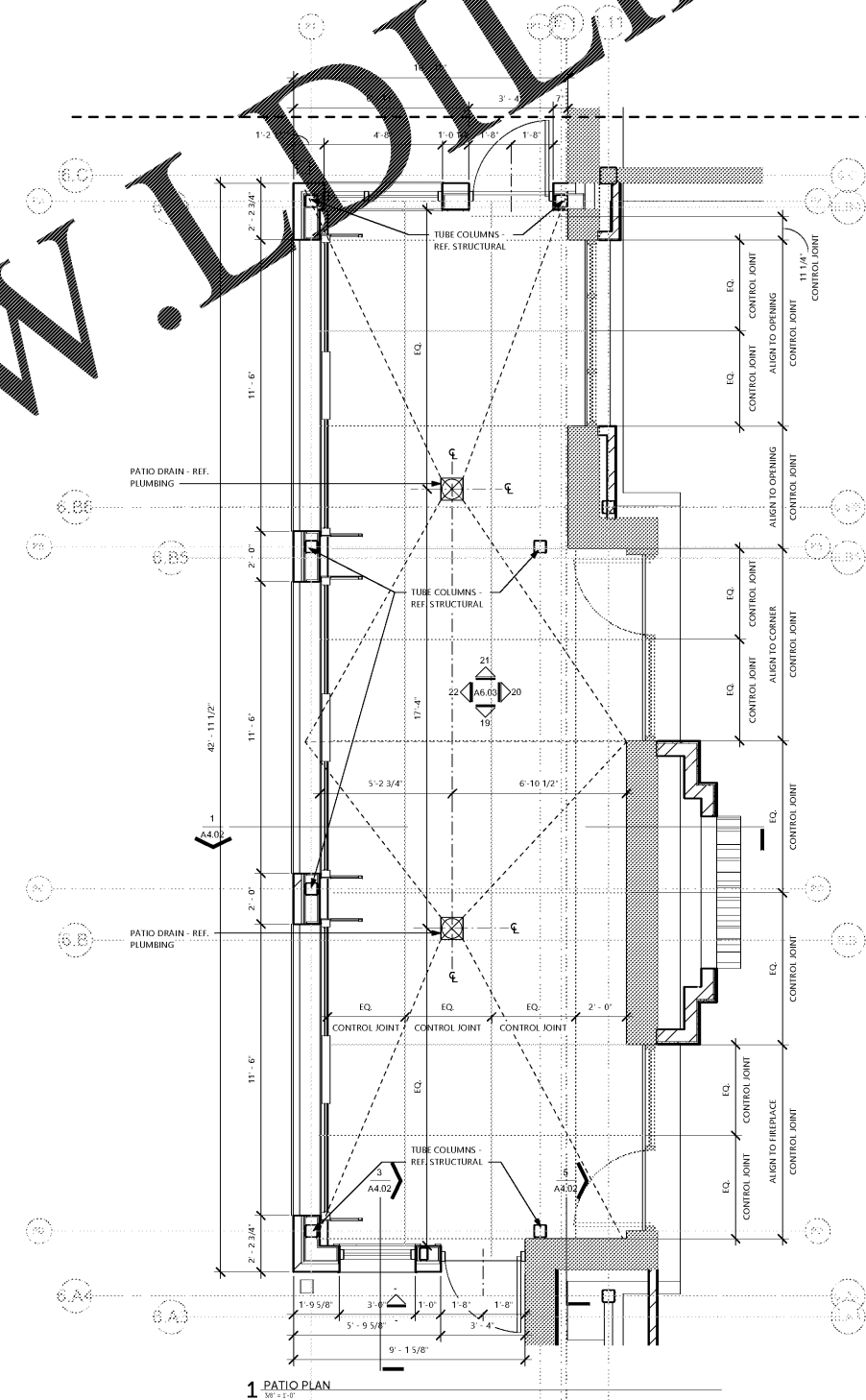
4 WOOD STORAGE BOX - FRONT ELEVATION  
32'-11\"/>



3 WOOD STORAGE BOX PLAN  
32'-11\"/>



2 ENLARGED PLAN - SERVICE YARD  
32'-11\"/>



1 PATIO PLAN  
32'-11\"/>

Firebirds  
Peachtree  
Corners

5215 Town Center  
Peachtree Corners, GA 30091

**FIREBIRDS**  
WOOD FIRED GRILL

**starr  
design**  
branded environments

Starr Design, PLLC  
1435 West Morehead St, Suite 340  
Charlotte, NC 28208  
704 377 5200 704 377 5201  
www.starrdesignteam.com

CONSTRUCTION  
DOCUMENTS  
05/10/2018

No.	Description	Date

Steven A. Starr, AIA  
Lic. # RA013717  
Signature Date: 05/10/2018  
Date of expiration: 6/30/2019



PATIO & SERVICE  
YARD PLANS

**A1.02**

16FB008 | © Starr Design, PLLC

Order Plans @

WWW.LDOnline.com